

PORTABLE LIGHTING FIXTURES FOR INCANDESCENT LAMPS

Explosion Proof Electrical Equipment

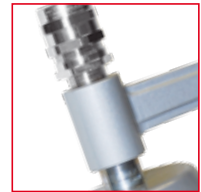


Ex Lighting

EVP-100

Installation: hazardous areas - Zone 1 / 2 (Gases) - Zone 21 / 22 (Dusts)
Classification: Group II - Category 2G 2D

EVP-100



GOST-R
RTR Ex Proof



	LIGHTING FIXTURE		
	ATEX 94/9/EC	GOST-R (RTR / RTN)	GOST-K
EXECUTION	⊕ II 2 G Ex d IIC T4/T2 ⊕ II 2 D Ex tD A21 T130°C	1Ex d IIC T4 (T5...T2) X DIP A21 Ta (130)°C	1Ex d IIC T4 (T5...T2) X DIP A21 Ta (130)°C
INSTALLATION	ZONE 1 / 2 - ZONE 21 / 22	ZONE 1 / 2 - ZONE 21 / 22	ZONE 1 / 2 - ZONE 21 / 22
PROTECTION DEGREE	IP66	IP66	IP66
CERTIFICATE REF.	INERIS 01 ATEX 0054X	POCC IT. ГБ05.В02536	No. 07/43-269
RULES OF COMPLIANCE	EN 60079-0; EN 60079-1; EN 61241-1	ГОСТ P 51330.9-99 (МЭК 60079-0-98); ГОСТ P 51330.1-99 (МЭК 60079-1-98); ГОСТ P 51330.8-99; ГОСТ P МЭК 61241-1-1-99	ГОСТ P 51330.0 / 1 / 8 / 14-99 ГОСТ P МЭК 61241-1-1-2002

Mechanical characteristics

Body	marine grade copper free aluminium (control gear & lamp body)
Globe	high-temperature resistant borosilicate glass
Painting	external epoxy powders grey RAL-9006 colour
Screws	external stainless steel
Gaskets	silicon rubber
Cable entry	Nickel plated brass cable gland 1/2" NPT (armoured cable)

Electrical characteristics

Power supply	12 ÷ 230V AC/DC
lampholders	E27 porcelain

ON REQUEST ACCESSORIES:

- External painting colour on request

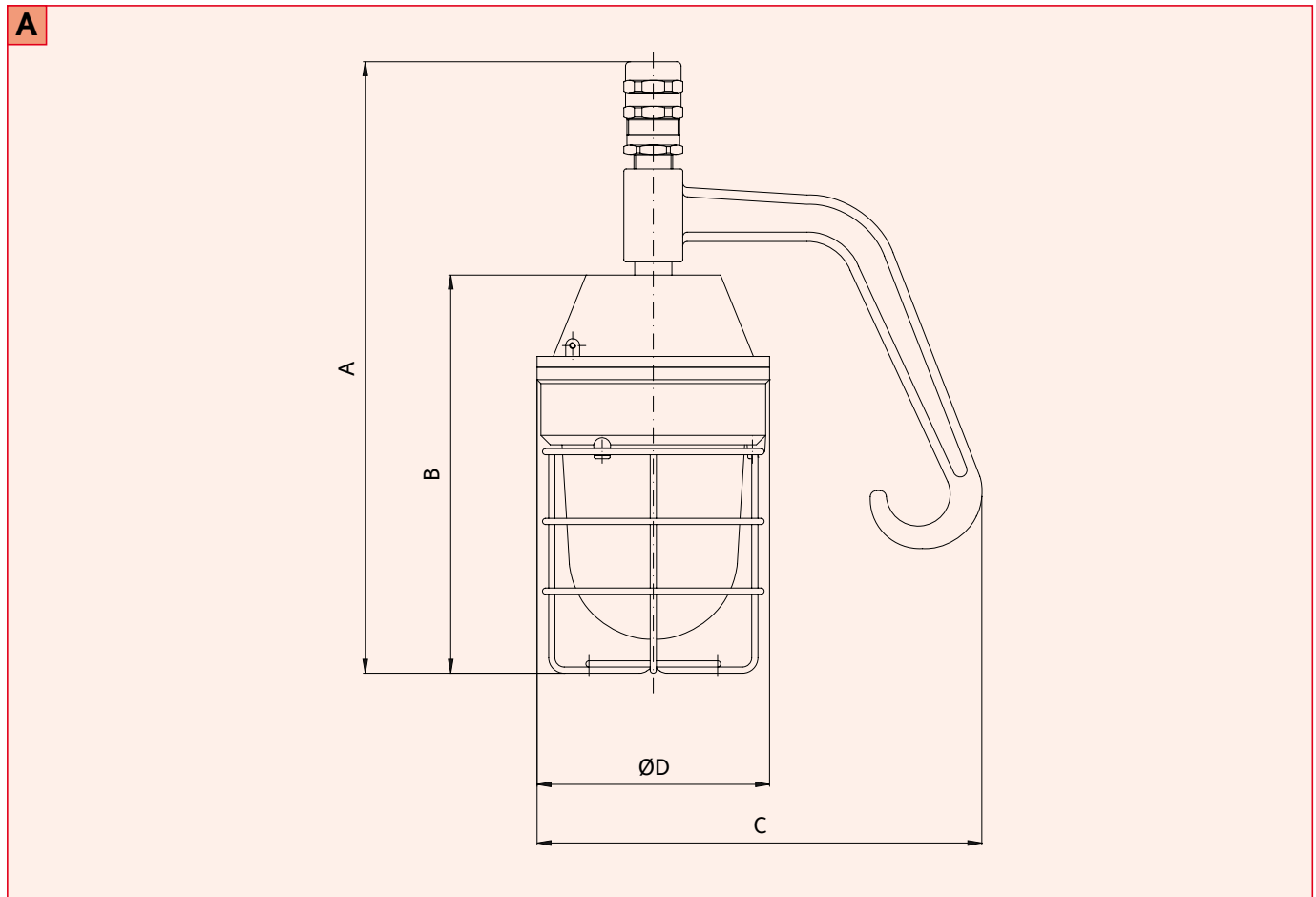
EVP-100 Technical data

CODE	LAMP	TEMPERATURE CLASS (GAS)	TEMPERATURE CLASS (DUSTS)	LAMPHOLDER SIZE	CABLE ENTRY SIZE	DETAIL
LIGHTING FIXTURE FOR INCANDESCENT LAMP - POWER SUPPLY 230V-50Hz						
EVP-100	100 W	T4	T 130°C	E-27	CABLE GLAND 1/2" NPT	A

EVP-100 Technical features

CODE	A [mm]	B [mm]	C [mm]	Ø D [mm]	WEIGHT [Kg]	CABLE ENTRY	DETAIL
EVP-100	395	257	287	150	4,00	CABLE GLAND 1/2" NPT	A

Reference details



REMARK:

Due to the development of the national and international specifications and of the technology, the above technical characteristics showed on this bulletin can be considered as binding on our confirmation only.