



**Installation:** hazardous areas - Zone 1 / 2 (Gases) - Zone 21 / 22 (Dusts)  
**Classification:** Group II - Category 2G 2D

## EMH9



EMH9



GOST-R  
RTR Ex Proof



INSTRUMENT HOUSING			
	ATEX 94/9/EC	GOST-R (RTR / RTN)	GOST-K
EXECUTION	Ⓢ II 2 G Ex d IIC T6 / T5 Ⓢ II 2 D Ex tD A21 T85°C / T100°C	1 Ex d IIC T6, T5 X DIP A21 Ta 85°C...100°C	1 Ex d IIC T6, T5 X DIP A21 Ta 85°C...100°C
INSTALLATION	ZONE 1 / 2 - ZONE 21 / 22	ZONE 1 / 2 - ZONE 21 / 22	ZONE 1 / 2 - ZONE 21 / 22
PROTECTION DEGREE	IP66	IP66	IP66
CERTIFICATE REF.	INERIS 02 ATEX 0069X	РОСС ИТ. Г505.В02537	No. 07/43-269
RULES OF COMPLIANCE	EN 60079-0; EN 60079-1; EN 61241-0; EN 61241-1	ГОСТ Р 51330.9-99 (МЭК 60079-10-95) ГОСТ Р 51330.13-99 (МЭК 60079-14-96) ГОСТ Р МЭК 61241-3-99	ГОСТ Р 51330.0 / 1 / 8 / 14-99 ГОСТ Р МЭК 61241-1-1-2002

### Mechanical characteristics

Body	marine grade copper free aluminum
Cover	marine grade copper free aluminum
Round window	transparent tempered glass
Gasket	NBR O-Ring sealing

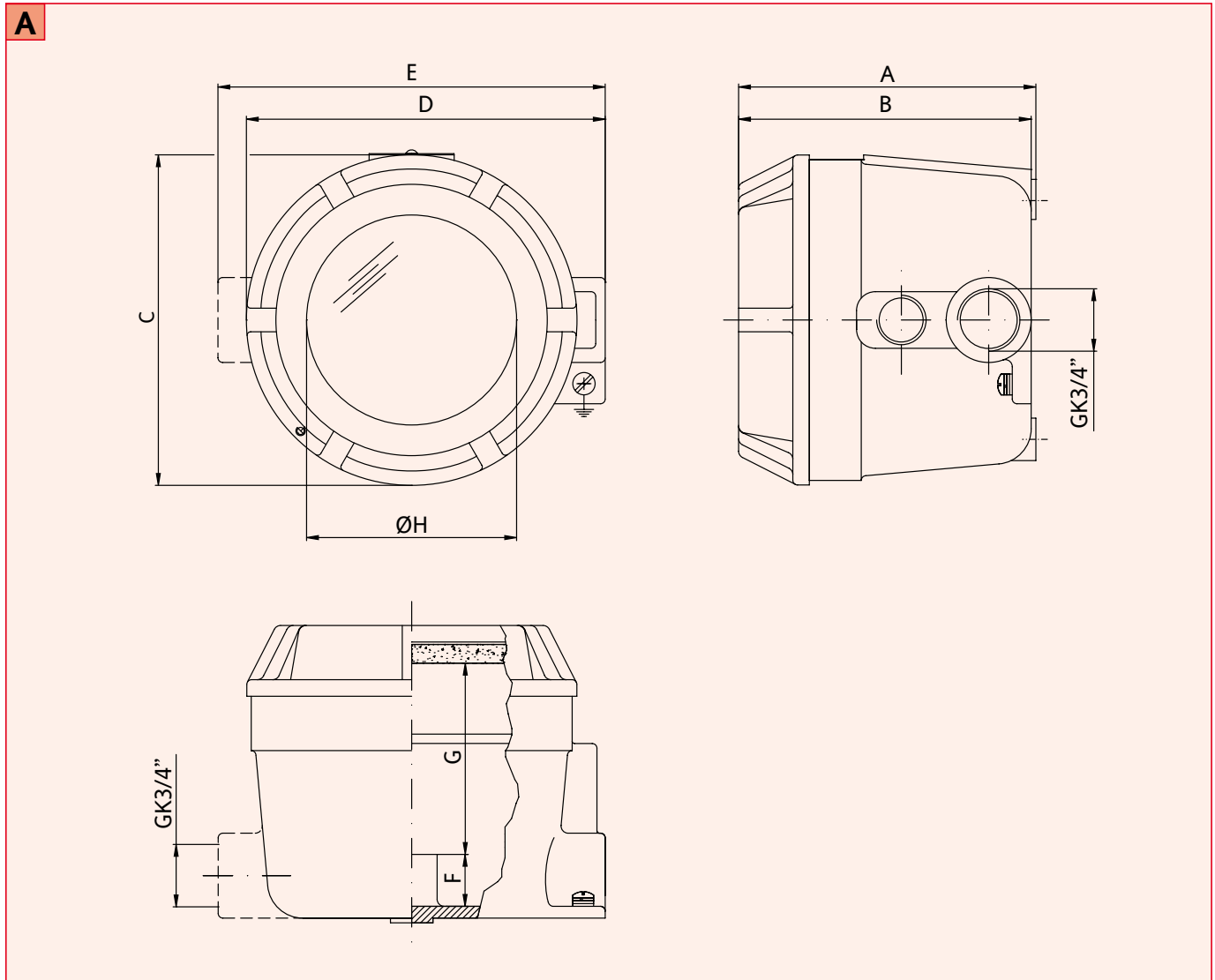
### ON REQUEST ACCESSORIES:

- External epoxy painting with colour on request
- Internal anticondensate painting

## EMH9 Technical features

CODE	A [mm]	B [mm]	C [mm]	D [mm]	E [mm]	F [mm]	G [mm]	ØH [mm]	WEIGHT [Kg]	THREADED ENTRY	DRAIN VALVE	DETAIL
EMH9.2	126	125	140	152	/	22	81	90	1,50	1 x 3/4"	NO	A
EMH9.22	126	125	140	152	164	22	81	90	1,50	2 x 3/4"	NO	A
EMH9.2V	126	125	140	152	/	22	81	90	1,50	1 x 3/4"	YES	A
EMH9.22V	126	125	140	152	164	22	81	90	1,50	2 x 3/4"	YES	A

### Reference details



#### REMARK:

Due to the development of the national and international specifications and of the technology, the above technical characteristics showed on this bulletin can be considered as binding on our confirmation only.