

GLASS FIBRE REINFORCED POLYESTER RESIN JUNCTION BOXES

Explosion Proof Electrical Equipment



Ex Enclosures

Installation: hazardous areas - Zone 1 / 2 (Gases) - Zone 21 / 22 (Dusts)
Classification: Group II - Category 2G 2D

GWR



GWR



GOST-R
RTR Ex Proof



	JUNCTION BOX		
	ATEX 94/9/EC	GOST-R (RTR / RTN)	GOST-K
EXECUTION	⊕ II 2 G Ex e II T6 ⊕ II 2 D Ex tD A21 T85°C	2Ex e II T6 DIP A21 Ta 85°C	2Ex e II T6 DIP A21 Ta 85°C
INSTALLATION	ZONE 1 / 2 - ZONE 21 / 22	ZONE 1 / 2 - ZONE 21 / 22	ZONE 1 / 2 - ZONE 21 / 22
PROTECTION DEGREE	IP66	IP66	IP66
CERTIFICATE REF.	LOM 02 ATEX 2024	POCC IT. ГБ05.В02537	No. 07/43-269
RULES OF COMPLIANCE	EN 60079-0; EN 60079-1; EN 60079-7; EN 61241-0; EN 61241-1	ГОСТ Р 51330.9-99 (МЭК 60079-10-95) ГОСТ Р 51330.13-99 (МЭК 60079-14-96) ГОСТ Р МЭК 61241-3-99	ГОСТ Р 51330.0 / 1 / 8 / 14-99 ГОСТ Р МЭК 61241-1-1-2002

Mechanical characteristics

Body	glass fibre reinforced polyester resin
Cover	glass fibre reinforced polyester resin
Screws	external - stainless steel
Internal plate	aluminium
Gasket	hot dip galvanized steel
Strenght	4 Joule impact resistance

ON REQUEST ACCESSORIES:

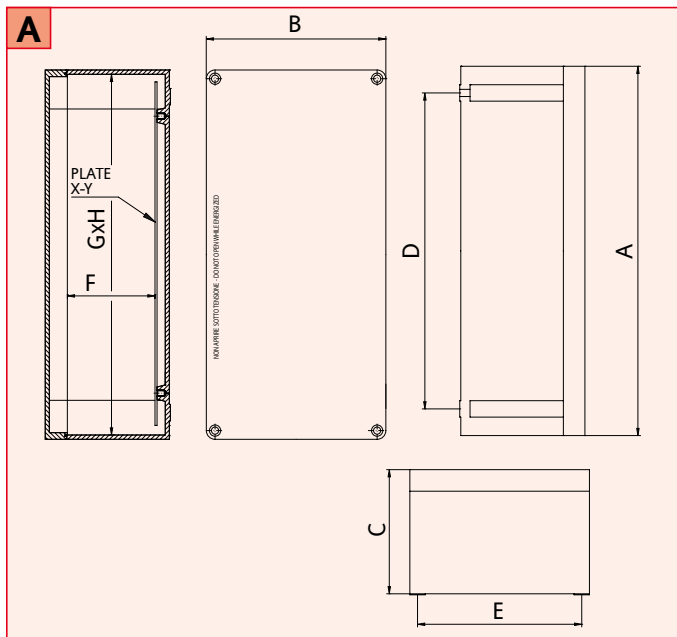
- Drain and breather valves

GWR Technical Features

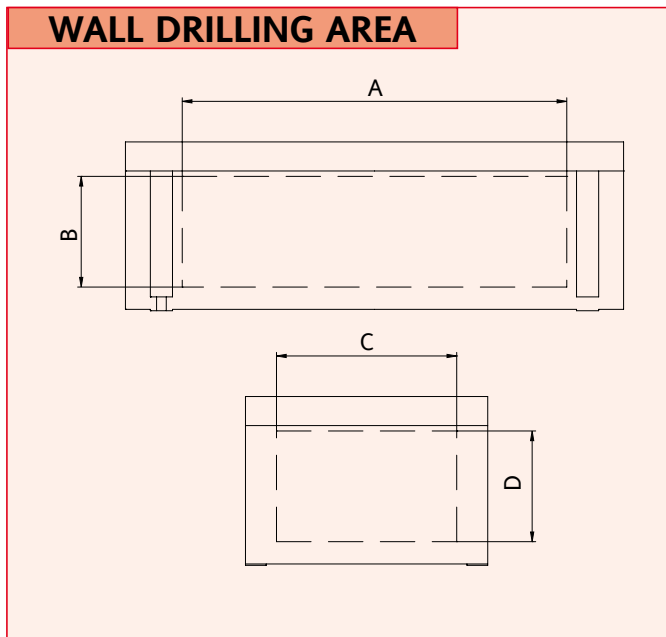
CODE	A [mm]	B [mm]	C [mm]	D [mm]	E [mm]	F [mm]	G [mm]	H [mm]	INT. PLATE X - Y [mm]	WEIGHT [Kg]	DETAIL
GWR11N	110	110	84	96	96	53	102	102	-	0,30	A
GWR14N	140	140	84	124	124	53	132	132	-	0,40	A
GWR21(1)	175	87,5	120	123	72	88	165	77,5	-	0,88	A
GWR22(1)	175	175	120	162	123	88	165	165	135 - 135	1,25	A
GWR42(1)	360	175	120	308	162	88	352	165	320 - 135	2,50	A
GWR44(1)	360	360	120	346	308	88	352	352	320 - 320	3,40	A
GWR84(1)	730	360	166	670	340	120	720	350	670 - 310	8,00	A

(1) ENCLOSURE'S COLOUR: N = DARK GREY RAL7021 - B = LIGHT BLUE RAL5015 / EXAMPLE: GWR14N = COLOUR DARK GREY RAL 7021 GWR42B = COLOUR LIGHT BLUE RAL5015

Reference Details



Reference Details



GWR Body Enclosures Drilling Layout

ENCLOSURE CODE	DRILLING AREA A-B [mm]	QUANTITY ALLOWED ENTRIES FOR SIZE (from 1 to size 8)								DRILLING AREA A-B [mm]	QUANTITY ALLOWED ENTRIES FOR SIZE (from 1 to size 8)							
		1	2	3	4	5	6	7	8		1	2	3	4	5	6	7	8
GWR11	64 x 52	1	1	1	1	-	-	-	-	64 x 52	1	1	1	1	-	-	-	-
GWR14	90 X 52	2	1	1	1	-	-	-	-	90 X 52	2	1	1	1	-	-	-	-
GWR21	108 - 85	4	2	2	2	1	1	1	-	37 - 85	2	-	-	-	-	-	-	-
GWR22	108 - 85	4	2	2	2	1	1	1	-	108 - 85	4	2	2	2	1	1	1	-
GWR42	278 - 85	12	7	5	5	4	3	2	-	125 - 85	5	3	2	2	1	1	1	-
GWR44	310 - 85	12	8	7	5	4	4	3	-	125 - 85	5	3	2	2	1	1	1	-
GWR84	640 - 115	35	23	20	17	13	9	7	5	310 - 115	17	11	9	8	6	4	3	2

GWR Indicative quantity of terminals and relevant section

CODE ENCLOSURE	SECT. 2,5 [mm/sq]	SECT. 6,0 [mm/sq]	SECT. 10,0 [mm/sq]	SECT. 16,0 [mm/sq]	SECT. 35,0 [mm/sq]	SECT. 50,0 [mm/sq]	SECT. 70,0 [mm/sq]	SECT.240,0 [mm/sq]	INT.PLATE X - Y [mm]
GWR11	12 x 1	8 x 1	6 x 1	5 x 1	3 x 1	3 x 1	1 x 1	1 x 1	-
GWR14	18 x 1	10 x 1	8 x 1	7 x 1	5 x 1	4 x 1	2 x 1	1 x 1	-
GWR21	18 x 1	10 x 1	8 x 1	7 x 1	5 x 1	4 x 1	2 x 1	1 x 1	-
GWR22	20 x 1	10 x 1	10 x 1	6 x 1	6 x 1	4 x 1	2 x 1	1 x 1	135 - 135
GWR42	48 x 1	28 x 1	24 x 1	20 x 1	12 x 1	10 x 1	4 x 1	2 x 1	320 - 135
GWR44	48 x 2	28 x 2	24 x 2	20 x 2	12 x 2	10 x 2	8 x 1	4 x 1	320 - 320
GWR84	120 x 2	70 x 2	60 x 2	50 x 2	44 x 2	30 x 2	20 x 1	14 x 1	670 - 310

REMARK: Due to the development of the national and international specifications and of the technology, the above technical characteristics showed on this bulletin can be considered as binding on our confirmation only.