

# OPEN BENDS AND PULLING BOXES

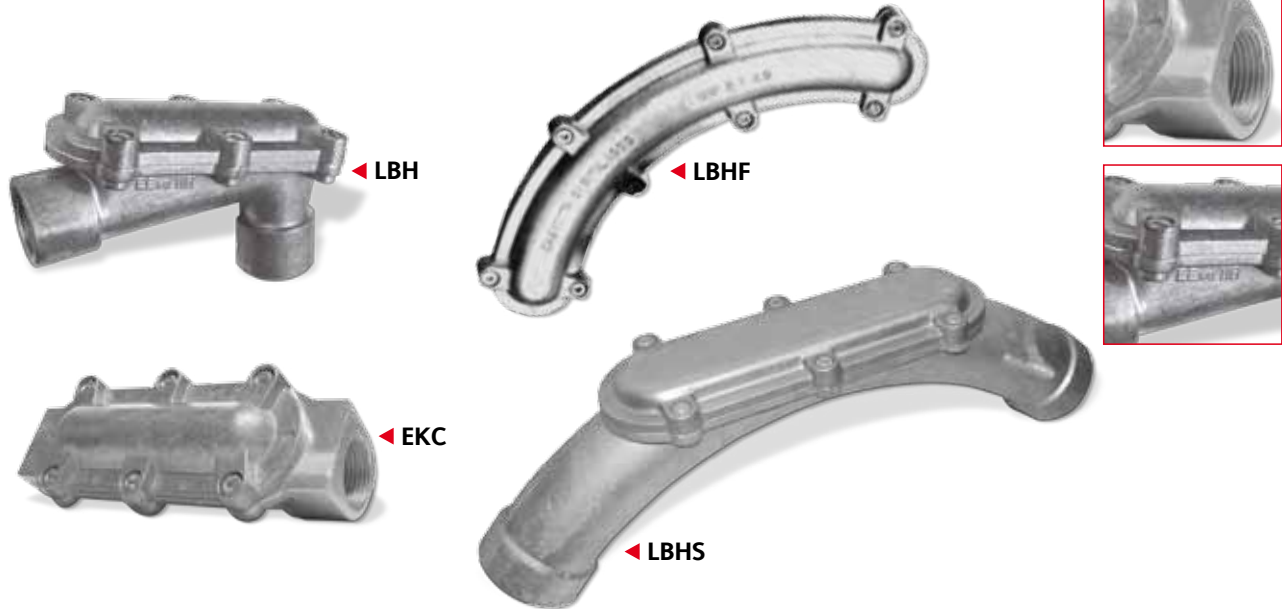
Explosion Proof Electrical Equipment



Ex Conduit fittings

**Installation:** hazardous areas - Zone 1 / 2 (Gases) - Zone 21 / 22 (Dusts)  
**Classification:** Group II - Category 2G 2D

## LBH-LBHF-LBHS-EKC



GOST-R  
RTR Ex Proof



	OPEN BENDS AND PULLING BOXES		
	ATEX 94/9/EC	GOST-R (RTR / RTN)	GOST-K
EXECUTION	Ⓜ II 2 G Ex d IIB / IIC Ⓜ II 2 G Ex e II Ⓜ II 2 D Ex tD A21	Ex d IIC U DIP A21	Ex d IIC U DIP A21
INSTALLATION	ZONE 1 / 2 - ZONE 21 / 22	ZONE 1 / 2 - ZONE 21 / 22	ZONE 1 / 2 - ZONE 21 / 22
PROTECTION DEGREE	IP66	IP66	IP66
CERTIFICATE REF.	LOM 06 ATEX 3079U	РОСС ИТ. ГБ05.В02537	No. 07/43-269
RULES OF COMPLIANCE	EN 60079-0; EN 60079-14; EN 60079-7; EN 61241-0; EN 61241-1	ГОСТ Р 51330.9-99 (МЭК 60079-10-95) ГОСТ Р 51330.13-99 (МЭК 60079-14-96) ГОСТ Р МЭК 61241-3-99	ГОСТ Р 51330.0 / 1 / 8 / 14-99 ГОСТ Р МЭК 61241-1-1-2002

### Mechanical characteristics

Body / cover	marine grade copper free aluminum light alloy
Screws	galvanized steel

### APPLICATIONS

- OPEN BENDS AND PULLING BOXES ARE USED FOR THE WIRING IN ELECTRICAL CONDUIT PLANTS.
- PROVIDING FOR A GAP ON THE BACK IS MORE 'EASY INSPECTION AND THE INCLUSION OF ELECTRIC CABLES.

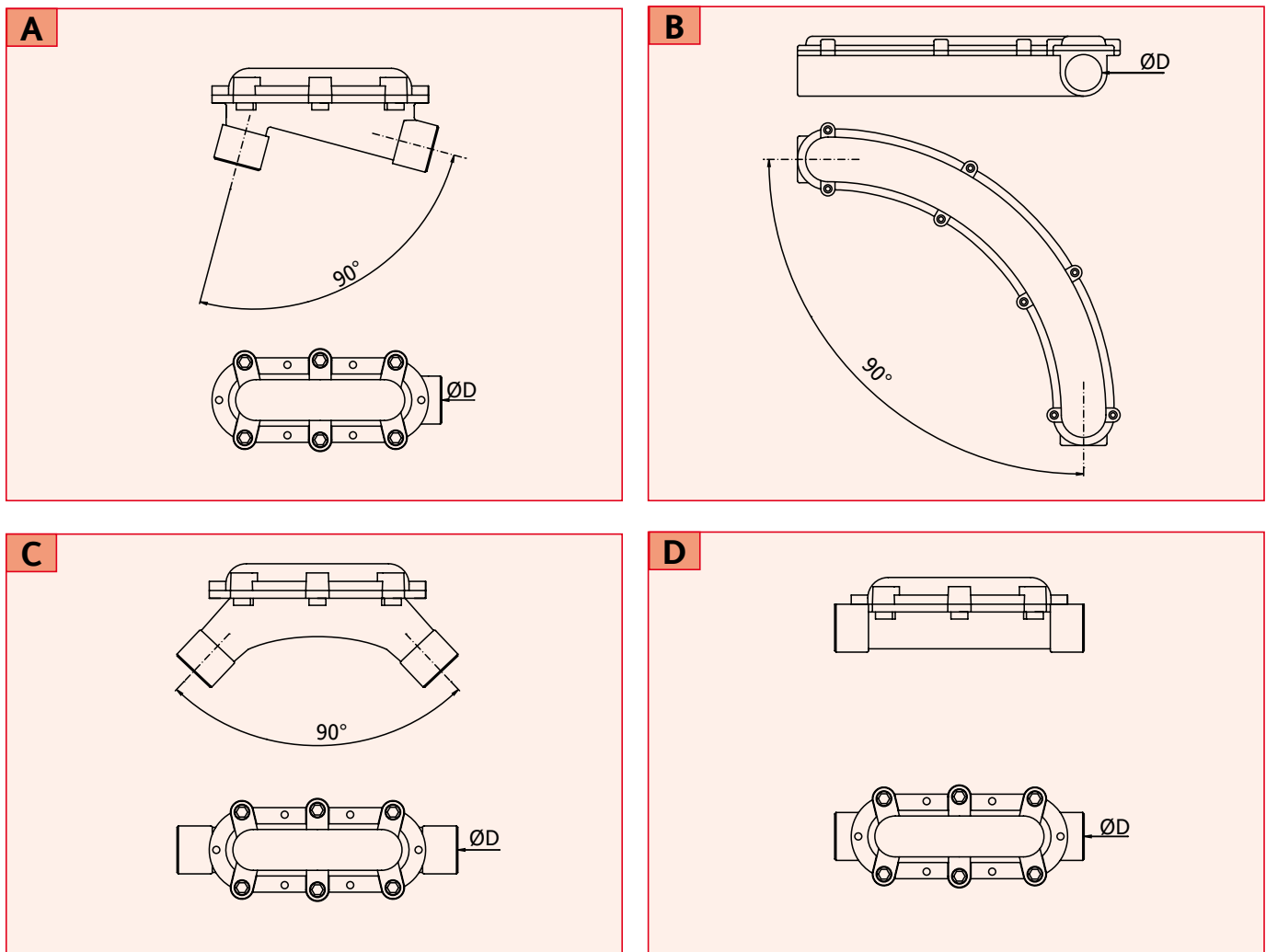
### ON REQUEST ACCESSORIES:

- Different thread from standard
- Stainless steel screws
- Painting

## OPEN BENDS AND PULLING BOXES - Technical Features

DETAIL "A"	DETAIL "B"	DETAIL "C"	DETAIL "D"	ØD HUBS (UNI6125 OR NPT)
TYPE	TYPE	TYPE	TYPE	
LBH2	LBHF2	LBHS2	EKC2	2 x 3/4"
LBH3	LBHF3	LBHS3	EKC3	2 x 1"
LBH4	-	-	EKC4	2 x 1-1/4"
LBH5	LBHF5	LBHS5	EKC5	2 x 1-1/2"
LBH6	LBHF6	LBHS6	EKC6	2 x 2"
LBH7	LBHF7	LBHS7	EKC7	2 x 2-1/2"
LBH8	LBHF8	LBHS8	EKC8	2 x 3"

### Reference Details



### REMARK:

Due to the development of the national and international specifications and of the technology, the above technical characteristics showed on this bulletin can be considered as binding on our confirmation only.