

# LIGHTING FIXTURES FOR INCANDESCENT LAMPS

Explosion Proof Electrical Equipment



Ex Lighting

EVO - EVT - TLF

**Installation:** hazardous areas - Zone 1 / 2 (Gases) - Zone 21 / 22 (Dusts)  
**Classification:** Group II - Category 2G 2D

## EVO - EVT - TLF



GOST-R  
RTR Ex Proof



PORTHOLE LIGHTING FIXTURE (EVO)			
	ATEX 94/9/EC	GOST-R (RTR / RTN)	GOST-K
EXECUTION	⊕ II 2 G Ex d IIC T3, ⊕ II 2 D Ex tD A21 T200°C	1Ex d IIC T3 X, DIP A21 Ta 200°C	1Ex d IIC T3 X, DIP A21 Ta 200°C
INSTALLATION	ZONE 1 / 2 - ZONE 21 / 22	ZONE 1 / 2 - ZONE 21 / 22	ZONE 1 / 2 - ZONE 21 / 22
PROTECTION DEGREE	IP66	IP66	IP66
CERTIFICATE REF.	INERIS 01 ATEX 0039 X	POCC IT. ГБ05.В02536	No. 07/43-269
RULES OF COMPLIANCE	EN 60079-0; EN 60079-1; EN 61241-0; EN 61242-1	ГОСТ Р 51330.9-99 (МЭК 60079-0-98); ГОСТ Р 51330.1-99 (МЭК 60079-1-98); ГОСТ Р 51330.8-99; ГОСТ Р МЭК 61241-1-1-99	ГОСТ Р 51330.0 / 1 / 8 / 14-99 ГОСТ Р МЭК 61241-1-1-2002
LIGHTING FIXTURE (EVT)			
	ATEX 94/9/EC	GOST-R (RTR / RTN)	GOST-K
EXECUTION	⊕ II 2 G Ex d IIC T4, ⊕ II 2 D Ex tD A21 T135°C	1Ex d IIC T4, DIP A21 Ta 135°C	1Ex d IIC T4, DIP A21 Ta 135°C
INSTALLATION	ZONE 1 / 2 - ZONE 21 / 22	ZONE 1 / 2 - ZONE 21 / 22	ZONE 1 / 2 - ZONE 21 / 22
PROTECTION DEGREE	IP66	IP66	IP66
CERTIFICATE REF.	INERIS 01 ATEX 0040	POCC IT. ГБ05.В02536	No. 07/43-269
RULES OF COMPLIANCE	EN 60079-0; EN 60079-1; EN 61241-0; EN 61242-1	ГОСТ Р 51330.9-99 (МЭК 60079-0-98); ГОСТ Р 51330.1-99 (МЭК 60079-1-98); ГОСТ Р 51330.8-99; ГОСТ Р МЭК 61241-1-1-99	ГОСТ Р 51330.0 / 1 / 8 / 14-99 ГОСТ Р МЭК 61241-1-1-2002
LIGHTING FIXTURE (TLF)			
	ATEX 94/9/EC	GOST-R (RTR / RTN)	GOST-K
EXECUTION	⊕ II 2 G Ex d / Ex de IIB T3 ⊕ II 2 D Ex tD A21 T200°C	1Ex d IIB T3, 2Ex de IIB T3 DIP A21 Ta 200°C	1Ex d IIB T3, 2Ex de IIB T3 DIP A21 Ta 200°C
INSTALLATION	ZONE 1 / 2 - ZONE 21 / 22	ZONE 1 / 2 - ZONE 21 / 22	ZONE 1 / 2 - ZONE 21 / 22
PROTECTION DEGREE	IP65	IP65	IP65
CERTIFICATE REF.	INERIS 01 ATEX 0026	POCC IT. ГБ05.В02536	No. 07/43-269
RULES OF COMPLIANCE	EN 60079-0; EN 60079-1; EN 61241-0; EN 61242-1	ГОСТ Р 51330.9-99 (МЭК 60079-0-98); ГОСТ Р 51330.1-99 (МЭК 60079-1-98); ГОСТ Р 51330.8-99; ГОСТ Р МЭК 61241-1-1-99	ГОСТ Р 51330.0 / 1 / 8 / 14-99 ГОСТ Р МЭК 61241-1-1-2002

### Mechanical characteristics

Body	marine grade copper free aluminium
Diffuser	borosilicate frontal glass (EVT)
Diffuser	tempered frontal glass (EVO - TLF)
Painting	external epoxy powders grey RAL-9006 colour
Screws	external stainless steel
Gaskets	silicon rubber
Cable entry	3/4" NPT size threaded
Protection guard	galvanized wire steel (EVT ONLY)

### Electrical characteristics

Power supply	standard voltage 230V - 50Hz
Lampholders	porcelain E27 size
Internal wiring	high-temperature resistant silicon rubber insulation cables

### ON REQUEST ACCESSORIES:

- External painting colour on request
- Threaded cable entry different than standard

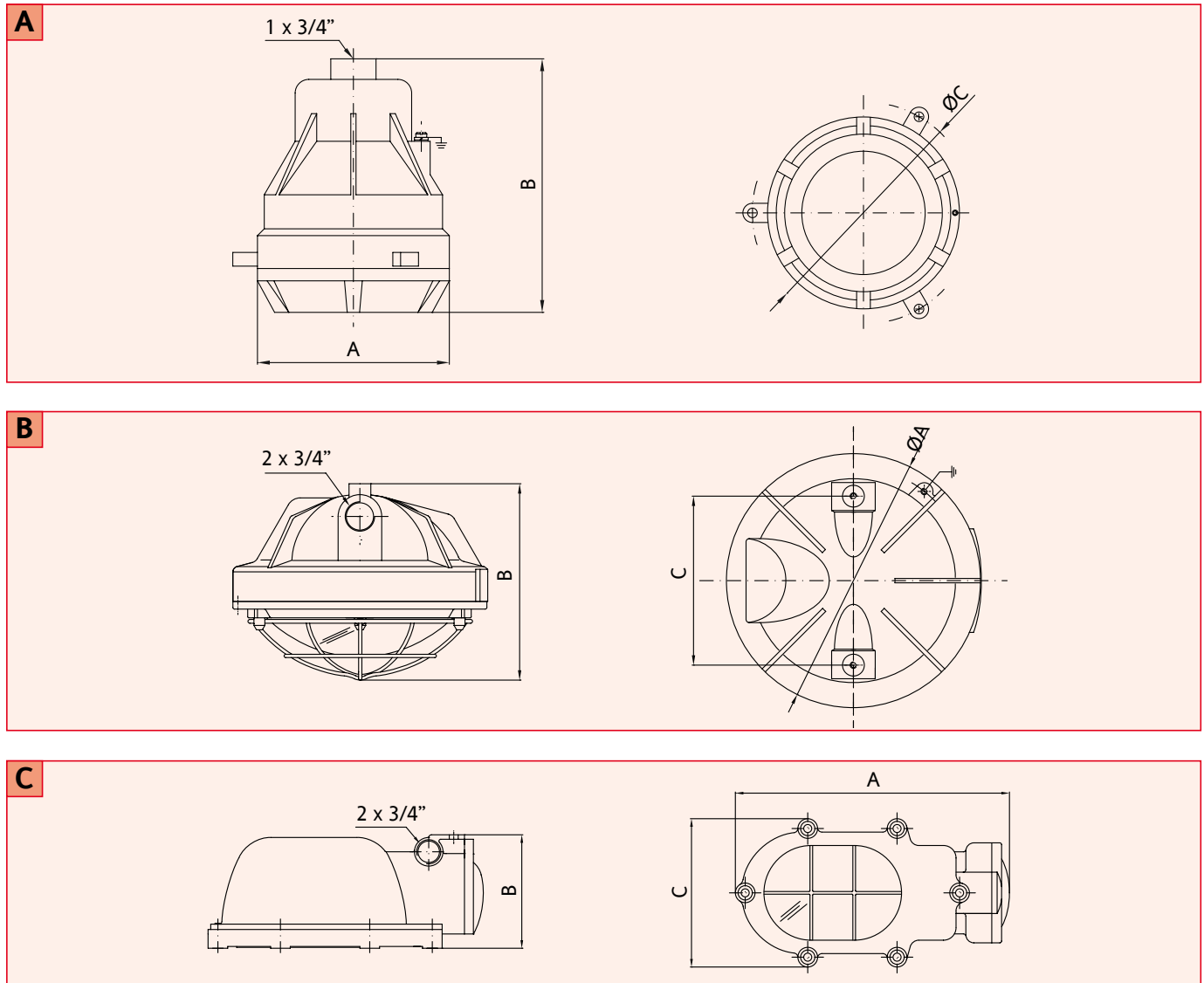
## EVO – EVT - TLF Technical data

CODE	LAMP	TEMPERATURE CLASS (GAS)	TEMPERATURE CLASS (DUSTS)	LAMPHOLDER SIZE	CABLE ENTRY SIZE	DETAIL
<b>LIGHTING FIXTURE FOR INCANDESCENT LAMP - POWER SUPPLY 230V-50Hz</b>						
EVO100	100 W	T3	T 200°C	E-27	1x3/4"	A
EVT100	100 W	T4	T135°C	E-27	2x3/4"	B
TLF100	100 W	T3	T 200°C	E-27	2x3/4"	C

## EVO – EVT - TLF Technical features

CODE	A [mm]	B [mm]	C [mm]	WEIGHT [Kg]	CABLE ENTRY	DETAIL
EVO100	Ø140	185	Ø162	2,00	1 x 3/4"	A
EVT100	Ø233	180	155	4,00	2 x 3/4"	B
TLF100	309	127	165	3,00	2 x 3/4"	C

### Reference details



**REMARK:**

Due to the development of the national and international specifications and of the technology, the above technical characteristics showed on this bulletin can be considered as binding on our confirmation only.