



Installation: hazardous areas - Zone 1 / 2 (Gases) - Zone 21 / 22 (Dusts)

Classification: Group II - Category 2G 2D



REFERENCE STANDARDS

Directive 2014/34/EU

EXECUTION	⊗ II 2 G Ex d IIC T4/T6 Gb ⊗ II 2 D Ex tb IIIC T135°/T85°C Db
RULES OF COMPLIANCE	EN/IEC 60079-0; EN/IEC 60079-1; EN/IEC 60079-31;
EC Type-Examination Certificate	INERIS 01 ATEX 0054X
PROTECTION DEGREE	IP66
AMBIENT TEMPERATURE	-60°C ÷ +60°C
OTHER AVAILABLE CERTIFICATES	IECEX: IECEX INE 13.0075X INMETRO: CEPPEL 14.2311X EAC: TC RU C-IT.BH02.B.00602 RINA: ELE18111CS_015 RUSSIAN MARINE CERTIFICATE (RMRS): 13.03516.315

Mechanical characteristics

Body	marine grade copper free aluminium
Globe	high-temperature resistant borosilicate glass
Fresnel len	shock proof acrylic material suitable for high temperatures
Painting	external epoxy powders grey RAL-9006 colour
Screws	external stainless steel
Gaskets	silicon rubber

Electrical characteristics

Lampholders	porcelain E27 size
internal wiring	high-temperature resistant silicon rubber insulation cables
terminals	suitable up to 4mm/sq cables
medium intensity	flashing obstruction light 1450 / 2000 cd intensity (over than 45mt distance)
low intensity	steady obstruction light 30 cd intensity (less than 45mt distance)
construction	single awl - twin awl (1 main + 1 spare) in according to ICAO directive



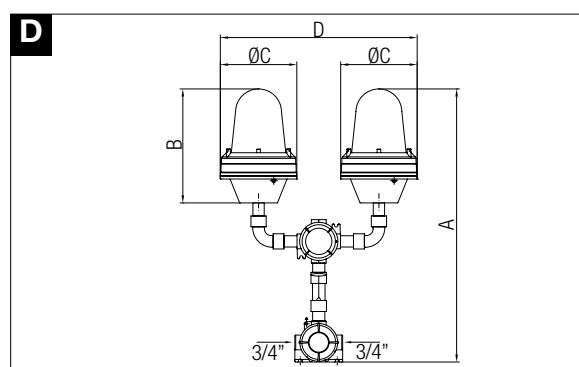
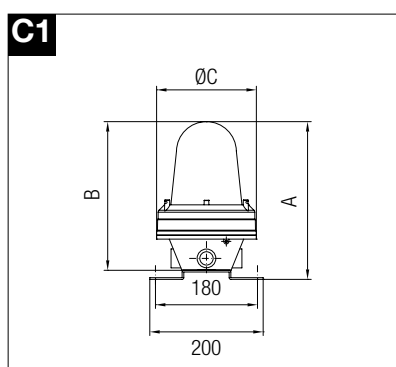
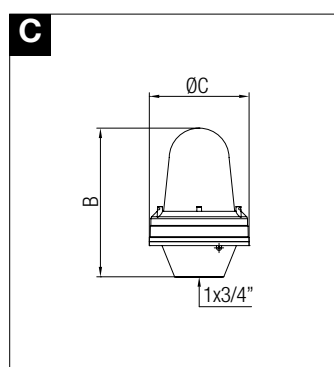
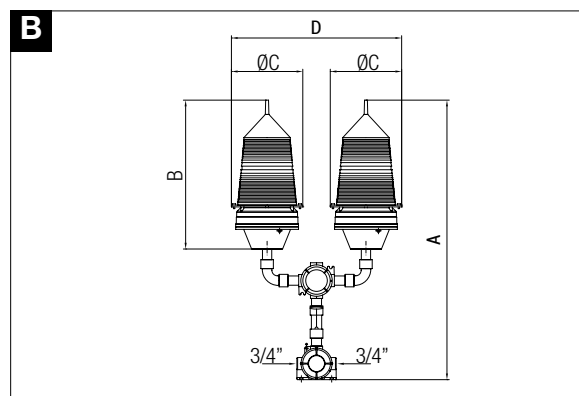
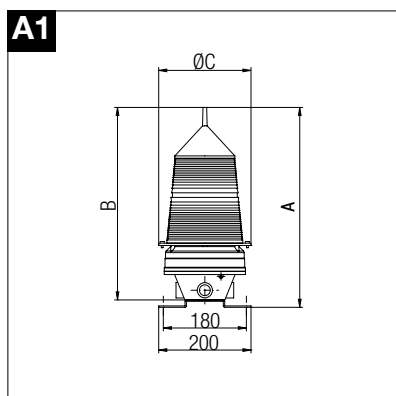
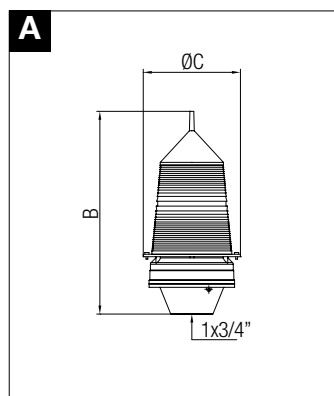
On Request Accessories:

- Galvanized steel wire protection guard
- Stainless steel wire protection guard
- Aircraft Warning Lights and control panel support manufactured in according to customer specification
- External painting colour on request
- Threaded cable entry different than standard
- Xenoflash 6J lamp
- Electronic with voltage supply different than standard

CODE	LAMP TYPE	TEMPERATURE CLASS (GAS)	TEMPERATURE CLASS (DUSTS)	FLASHING [x/min.]	LAMPHOLDER	CABLE ENTRY SIZE	DETAIL
EVAC201-F	100W INCANDESCENT	T4	T 135°C	-	E-27	1 x 3/4"	A
EVAC200-F	100W INCANDESCENT	T4	T 135°C	-	E-27	2 x 3/4"	A-1
EVAC201-XF	2J XENOFASH	T6	T 85°C	65 ±10	E-27	1 x 3/4"	C
EVAC200-XF	2J XENOFASH	T6	T 85°C	65 ±10	E-27	2 x 3/4"	C-1
EVAC201-F2R	2 x 100W INCANDESCENT	T4	T 135°C	-	E-27	2 x 3/4"	B
EVAC201-XF2R	2 x 2J XENOFASH	T6	T 85°C	65 ±10	E-27	2 x 3/4"	D
EVAC301-25R	40W INCANDESCENT	T4	T 135°C	-	E-27	1 x 3/4"	C
EVAC300-25R	40W INCANDESCENT	T4	T 135°C	-	E-27	2 x 3/4"	C-1

Technical features

CODE	A [mm]	B [mm]	Ø C [mm]	D [mm]	WEIGHT [Kg]	CABLE ENTRY	DETAIL
EVAC201-F	-	415	200	-	4,50	1 x 3/4"	A
EVAC200-F	430	415	200	-	4,50	2 x 3/4"	A-1
EVAC201-XF	-	260	176	-	4,50	1 x 3/4"	C
EVAC200-XF	280	260	176	-	4,00	2 x 3/4"	C-1
EVAC201-F2R	790	415	200	475	9,00	2 x 3/4"	B
EVAC201-XF2R	630	260	176	453	8,00	2 x 3/4"	D
EVAC301-25R	345	322	197	-	7,00	1 x 3/4"	C
EVAC300-25R	-	322	197	-	7,00	2 x 3/4"	C-1



On request accessories

CODE	DESCRIPTION	MATERIAL
20302.0075	EVAC 200 / 201 SIZE STANDARD PROTECTION GUARD	GALVANIZED STEEL
20302.0076	EVAC 300 / 301 SIZE STANDARD PROTECTION GUARD	GALVANIZED STEEL
20302.0038	EVAC 200 / 201 SIZE STAINLESS STEEL PROTECTION GUARD	STAINLESS STEEL
20302.0039	EVAC 300 / 301 SIZE STAINLESS STEEL PROTECTION GUARD	STAINLESS STEEL
20302.0078	STRUCTURE MOUNTING KIT C/W HARDWARE	STAINLESS STEEL
1030.00055	RED FRESNEL LEN Ø155mm	ACRYLIC
1030.00186	ORANGE FRESNEL LEN Ø155mm	ACRYLIC
1030.00211	GREEN FRESNEL LEN Ø155mm	ACRYLIC
1030.00213	WHITE FRESNEL LEN Ø155mm	ACRYLIC