



Installation: Safe Area

Insulation Class: I



REFERENCE STANDARDS

CEI / EN

EXECUTION	INDUSTRIAL WEATHERPROOF
RULES OF COMPLIANCE	EN 60598-1 + A1; EN 60598-2-1
EC Type-Examination Certificate	-
PROTECTION DEGREE	IP66
AMBIENT TEMPERATURE	-20°C ÷ +60°C

Mechanical characteristics

Body	marine grade copper free aluminium
Diffuser	tempered front glass 4mm
Support	adjustable type 3mm thick shaped steel
Painting	external thermosetting polyester powder RAL-7039 colour
Screws	external stainless steel
Gaskets	silicon rubber
Cable entry	Dia. 20.5mm

Electrical characteristics

Power supply	220÷240Vac electronic driver 50/60 Hz
Lamp type	Osram Z6 COB M - CRI 80, CCT 4000K Lifetime : 50.000 hours L80 B10 @ta25
Internal wiring	high-temperature resistant silicon rubber insulation cables
Terminals	suitable up to 4 sq/mm cables



On Request Accessories:

- External painting colour on request
- Frosted diffuser glass
- CCT 3000K
- Vent filter

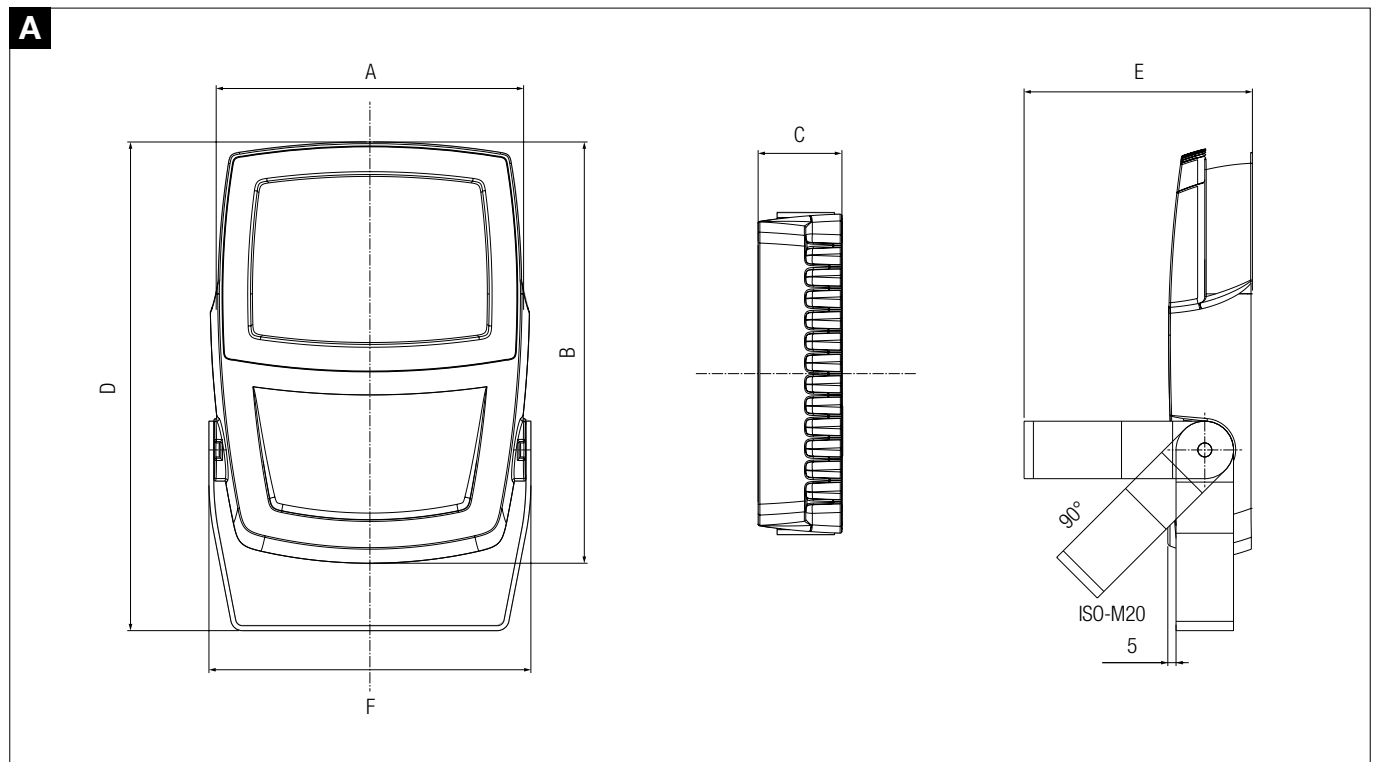
Technical data

CODE	POWER LAMP	WIRING	TEMPERATURE CLASS (GAS)	TEMPERATURE CLASS (DUSTS)	OUTPUT TYPICAL (lm)	OUTPUT NET (lm)	CABLE ENTRY SIZE	DETAIL
FLOODLIGHTS FOR LED LAMP - POWER SUPPLY 220±240V 50/60Hz								
WFLJ-15	15 W	1 LED	-	-	1950	1700	1 x ISO-M20	A
WFLJ-30	30 W	1 LED	-	-	3850	2985	1 x ISO-M20	A
WFLJ-38	38 W	1 LED	-	-	4600	4300	1 x ISO-M20	A
WFLJ-44	44 W	1 LED	-	-	5360	4750	1 x ISO-M20	A

Technical features

CODE	A [mm]	B [mm]	C [mm]	D [mm]	E [mm]	F [mm]	WEIGHT [Kg]	CABLE ENTRY	DETAIL
WFLJ-...	187	256.40	51	297.40	139	196	2.35	1 x ISO-M20	A

Reference details



REMARK:

Due to the development of the national and international specifications and of the technology, the above technical characteristics showed on this bulletin can be considered as binding on our confirmation only.