



**Installation:** hazardous areas - Zone 1 / 2 (Gases) - Zone 21 / 22 (Dusts)  
**Classification:** Group II - Category 2G 2D



**REFERENCE STANDARDS**

**Directive 2014/34/EU**

EXECUTION	☉ Ex II 2 G Ex db IIC T5 Gb ☉ Ex II 2 D Ex tb IIIC T100°C Db
RULES OF COMPLIANCE	EN/IEC 60079-0, EN/IEC 60079-1, EN/IEC 60079-31
EC Type-Examination Certificate	INERIS 18 ATEX 0015X
PROTECTION DEGREE	IP66
AMBIENT TEMPERATURE	-60°C ÷ +60°C
OTHER AVAILABLE CERTIFICATES	IECEx: IECEx INE18.0009X EAC: TC RU C-IT,BH02.B.00608 (-60°C ÷ +60°C) RUSSIAN MARINE CERTIFICATE (RMRS): 13.03520.315

**Mechanical characteristics**

Body	marine grade copper free aluminium light alloy
Cover	marine grade copper free aluminium light alloy
Screws	stainless steel
Pins	brass



**On Request Accessories:**

- External epoxy painting with colour on request
- Cable entries with different threads from standards

Technical Features

CODE	A [mm]	TEMPERATURE CLASS (GAS)	TEMPERATURE CLASS (DUSTS)	WEIGHT [Kg]	DETAIL
CPSCP*/CPH	243	T6	T85°C	1,50	A
FSQCP*/BP	255	T6	T85°C	2,00	B
FSQCP125*/BP125	310	T6	T85°C	5,00	C

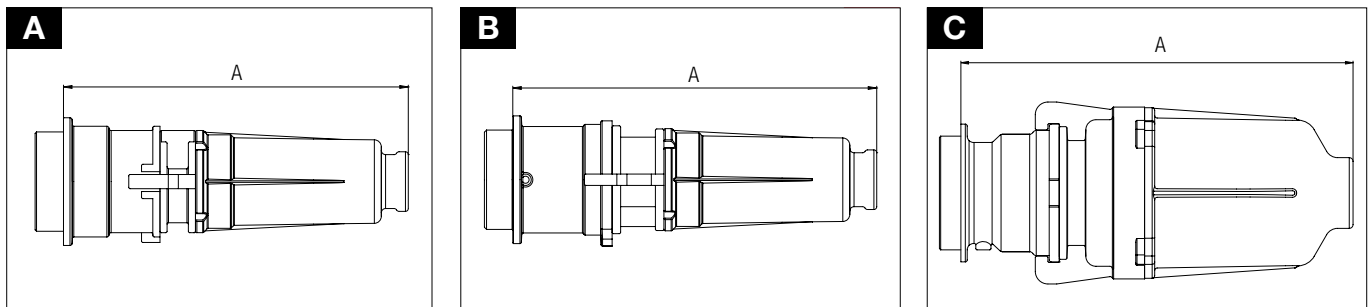
\*WITHOUT ENCLOSURE (TO BE ORDERED SEPARATELY)

INTERLOCKED SOCKETS			
SOCKET CODE	POLES	VOLTAGE (50/60Hz)	CURRENT
CPSCP224	2P+T (PE)	24V	16A
CPSCP224-25A	2P+T (PE)	24V	25A
CPSCP248	2P+T (PE)	48V	16A
CPSCP248-25A	2P+T (PE)	48V	25A
CPSCP211	2P+T (PE)	110/130V	16A
CPSCP211-25A	2P+T (PE)	110/130V	25A
CPSCP222	2P+T (PE)	220/250V	16A
CPSCP222-25A	2P+T (PE)	220/250V	25A
CPSCP338	2P+T (PE)	380/500V	16A
CPSCP338-25A	3P+T (PE)	380/500V	25A
CPSCP438-25A	3P+N+T (PE)	380/500V	25A

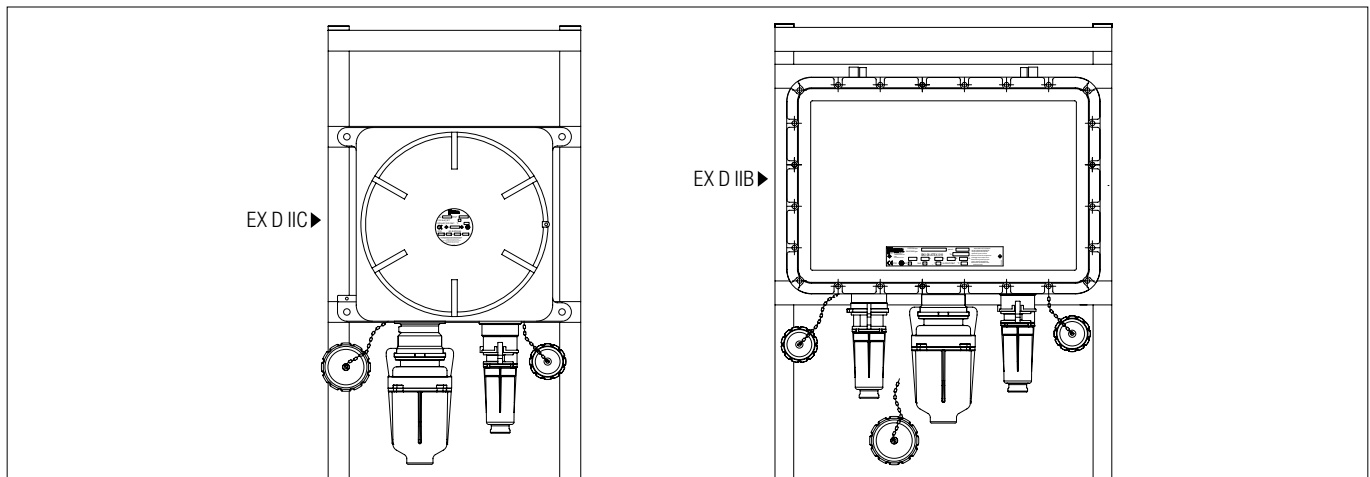
INTERLOCKED SOCKETS WITH CIRCUIT BREAKER			
SOCKET CODE	POLES	VOLTAGE (50/60Hz)	CURRENT
FSQCP235	2P+T (PE)	220/250V	32A
FSQCP335	3P+T (PE)	380/415V	32A
FSQCP435	4P+T (PE)	380/500V	32A
FSQCP260	2P+T (PE)	220/250V	63A
FSQCP360	3P+T (PE)	380/500V	63A
FSQCP460	4P+T (PE)	380/500V	63A

125A INTERLOCKED SOCKETS AND PLUGS				
SOCKET CODE	PLUG CODE	POLES	VOLTAGE (50/60Hz)	CURRENT
FSQCP125-3	BP125-3	3P+T (PE)	380/500V	125A
FSQCP125-4	BP125-4	4P+T (PE)	380/500V	125A

NOTE: Please refer to cpsc/fsqc bulletin for industrial application sockets and plugs colour marking



Typical assembling



REMARK:

Due to the development of the national and international specifications and of the technology, the above technical characteristics showed on this bulletin can be considered as binding on our confirmation only.

