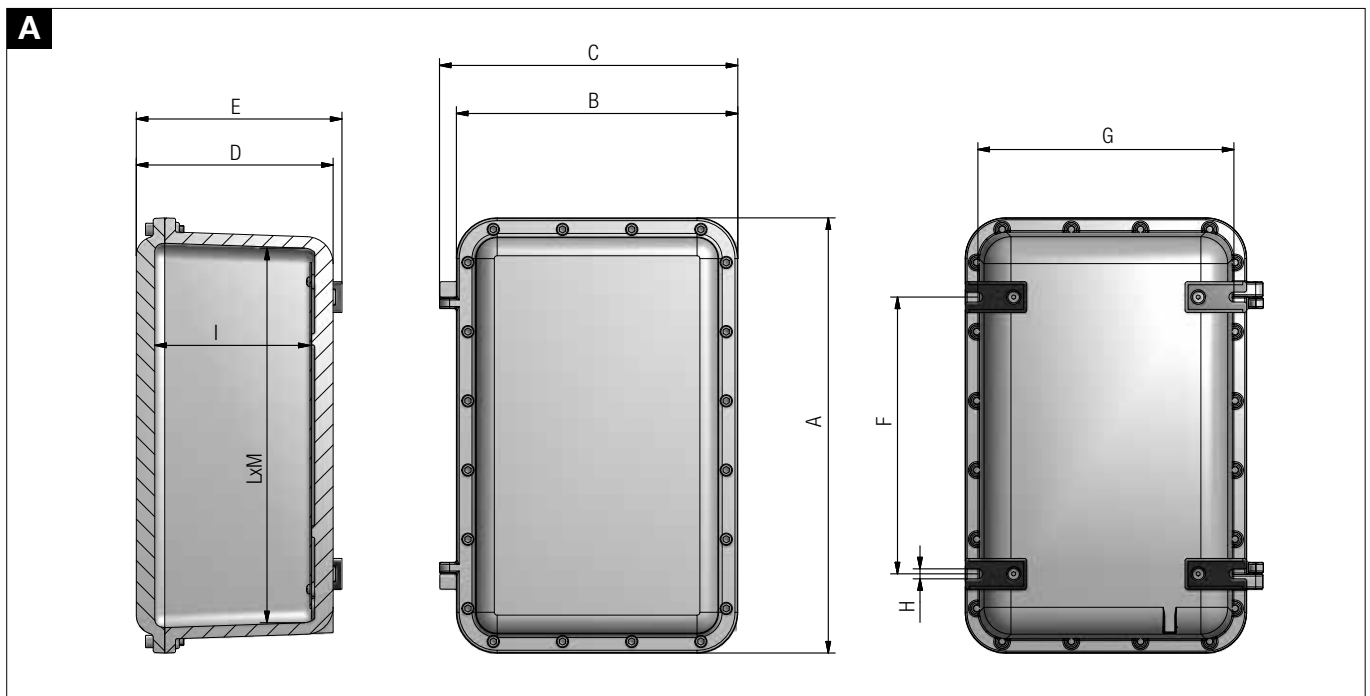


Technical Features

CODE	A [mm]	B [mm]	C [mm]	D [mm]	E [mm]	F [mm]	G [mm]	H [mm]	I [mm]	L [mm]	M [mm]	INT. PLATE X - Y [mm]	WEIGHT [Kg]	DETAIL
EJB-08	380	170	188	126	136	270	156	11	91	315	105	305 - 85	8,2	A
EJB-11	175	175	197	122	132	78	171	11	90	113	113	100 - 100	4,00	A
EJB-21A	284	245	267	169	179	160	241	11	121	216	176	180 - 140	11,20	A
EJB-22	300	200	221	222	232	195	186	11	174	229	129	180 - 100	11,30	A
EJB-23A	310	260	281	197	207	195	251	11	152	245	195	200 - 160	13,30	A
EJB-30	415	315	337	164	174	294	299	11	113	345	245	300 - 200	19,50	A
EJB-31A	415	315	337	246	256	294	299	11	195	345	245	300 - 200	24,20	A
EJB-51A	566	366	388	256	268	360	337	13	200	487	287	450 - 250	36,10	A
EJB-61A	670	470	491	361	373	500	443	13	307	580	380	530 - 330	68,10	A
EJB-63A	670	470	491	236	248	500	443	13	182	580	380	530 - 330	50,50	A
EJB-71	742	542	572	429	439	520	580	16	331	632	432	590 - 390	110,40	A
EJB-73	742	542	572	311	321	520	580	16	213	632	432	590 - 390	95,60	A
EJB-91	960	660	697	462	472	700	650	16	350	825	525	750 - 440	188,50	A
EJB-93	960	660	697	305	315	700	650	16	193	825	525	750 - 440	166,50	A

Reference details

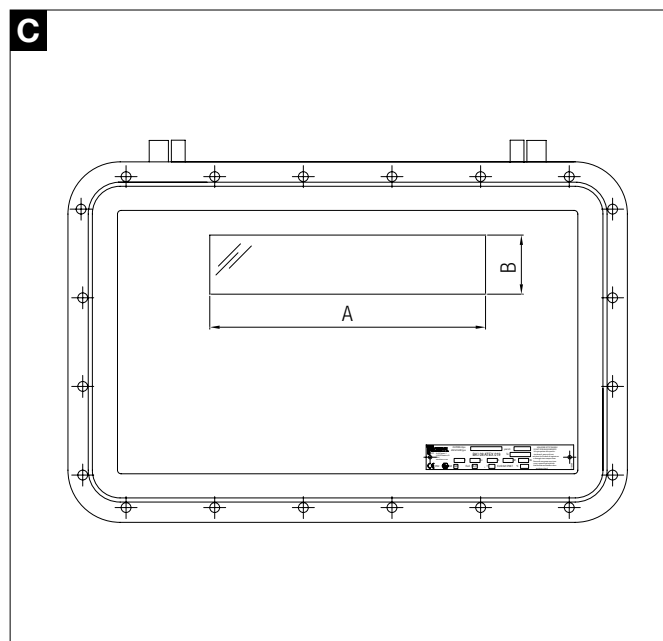


Glass windows on cover

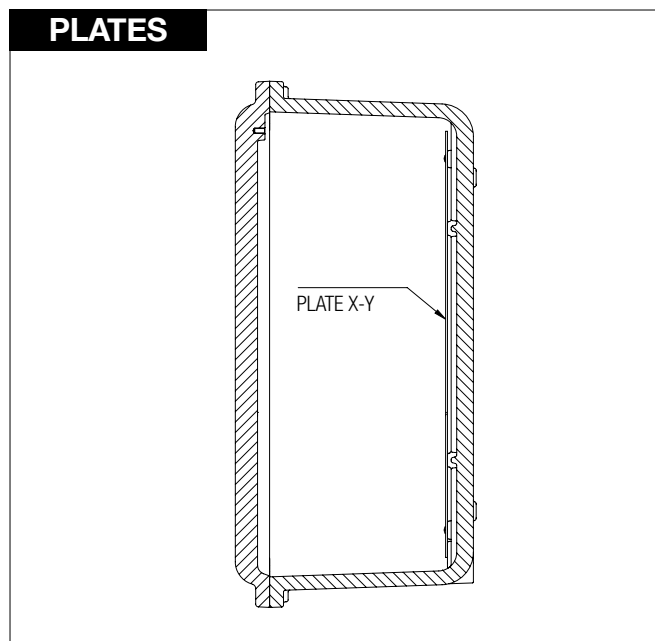
WINDOW CODE	WINDOW TYPE	ENCLOSURE CODE										DIMENSIONS		DETAIL
		EJB-08	EJB-11	EJB-21	EJB-22	EJB-23	EJB-30/31	EJB-51	EJB-61/63	EJB-71/73	EJB-91/93	A [mm]	B [mm]	
20201.0054	F1	X	X	X	X	X	X	X	X	X	X	60	60	C
20201.0055	F2	-	-	X	X	X	X	X	X	X	X	75	75	C
20201.0056	F3	-	-	X	X	X	X	X	X	X	X	110	75	C
20201.0057	F4	-	-	X	X	X	X	X	X	X	-	150	75	C
20201.0058	F5	-	-	-	-	-	X	X	X	-	-	150	150	C
20201.0059	F6	-	-	-	-	-	X	X	X	-	-	300	75	C
20201.0060	F7	-	-	-	-	-	X	X	X	-	-	300	150	C
20201.0061	F8	-	-	-	-	-	-	-	X	-	-	300	300	C
20201.0062	F9	-	-	-	-	-	-	-	X	-	-	450	300	C



Reference details



Reference details



Indicative quantity of terminals and relevant section

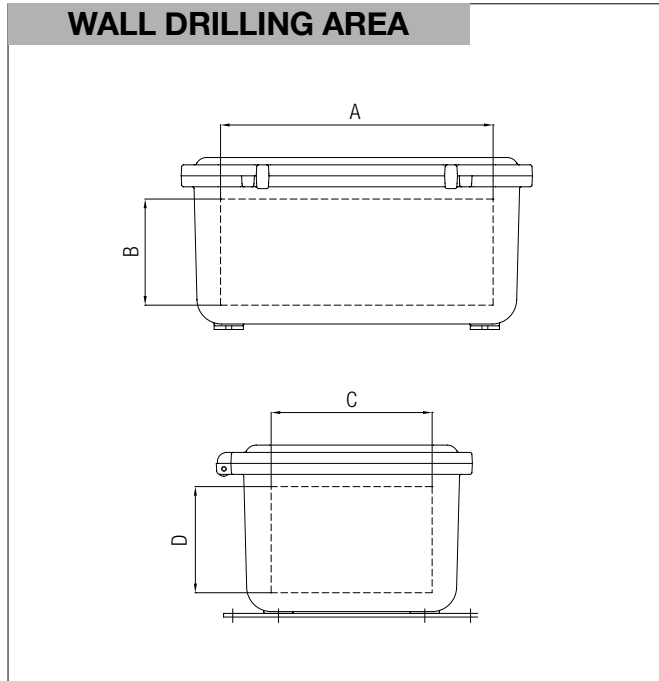
CODE	SECT. 2,5 [sq/mm]	SECT. 6,0 [sq/mm]	SECT. 10,0 [sq/mm]	SECT. 16,0 [sq/mm]	SECT. 35,0 [sq/mm]	SECT. 50,0 [sq/mm]	SECT. 70,0 [sq/mm]	SECT. 240,0 [sq/mm]	INT. PLATE X - Y [mm]
EJB-08	24 x 1	18 x 1	10 x 1	-	-	-	-	-	305 - 85
EJB-11	12 x 1	8 x 1	6 x 1	-	-	-	-	-	100 - 100
EJB-21A	30 x 1	20 x 1	14 x 1	12 x 1	9 x 1	7 x 1	5 x 1	1 x 1	180 - 140
EJB-22	30 x 1	20 x 1	14 x 1	12 x 1	9 x 1	7 x 1	5 x 1	1 x 1	180 - 100
EJB-23A	35 x 1	22 x 1	16 x 1	14 x 1	11 x 1	9 x 1	7 x 1	2 x 1	200 - 160
EJB-30	52 x 2	32 x 2	24 x 2	20 x 2	14 x 2	12 x 1	8 x 1	4 x 1	300 - 200
EJB-31A	52 x 2	32 x 2	24 x 2	20 x 2	14 x 2	12 x 1	8 x 1	4 x 1	300 - 200
EJB-51A	80 x 2	46 x 2	36 x 2	30 x 2	22 x 2	18 x 2	16 x 1	6 x 1	450 - 250
EJB-61A/63A	92 x 3	58 x 3	46 x 3	38 x 3	28 x 3	26 x 2	22 x 2	12 x 1	530 - 330
EJB-71/73	110 x 3	70 x 3	56 x 3	46 x 3	34 x 3	28 x 2	24 x 2	12 x 1	590 - 390
EJB-91/93	140 x 3	90 x 3	70 x 3	60 x 3	44 x 3	36 x 3	32 x 2	14 x 2	750 - 440

Body and cover enclosures indicative maximum quantity of holes of the same size

ENCLOSURE CODE	DRILLING AREA A-B							
	QUANTITY ALLOWED ENTRIES FOR SIZE (from 1 to size 8)							
	1	2	3	4	5	6	7	8
EJB-08	9	6	5	4	4	-	-	-
EJB-11	3	2	2	1	1	-	-	-
EJB-21A	10	7	5	3	2	2	1	-
EJB-22	15	11	8	6	6	3	2	1
EJB-23A	11	8	6	4	3	3	2	1
EJB-30	13	7	5	5	4	3	-	-
EJB-31A	28	18	14	11	8	6	3	2
EJB-51A	44	27	24	20	12	10	6	3
EJB-61A	72	50	36	32	21	21	14	8
EJB-63A	36	29	18	16	14	7	5	4
EJB-71	90	55	46	39	32	21	15	10
EJB-73	40	26	22	18	14	12	7	4
EJB-91	112	84	65	55	40	28	23	14
EJB-93	48	42	29	22	10	11	9	5

ENCLOSURE CODE	DRILLING AREA C-D							
	QUANTITY ALLOWED ENTRIES FOR SIZE (from 1 to size 8)							
	1	2	3	4	5	6	7	8
EJB-08	2	2	1	1	-	-	-	-
EJB-11	3	2	2	1	1	-	-	-
EJB-21A	8	5	4	3	2	1	1	-
EJB-22	9	5	5	4	2	1	1	1
EJB-23A	9	6	6	5	2	2	1	1
EJB-30	9	5	4	3	3	2	-	-
EJB-31A	20	12	9	8	6	5	2	1
EJB-51A	24	15	12	11	6	6	3	2
EJB-61A	48	30	24	20	12	12	8	6
EJB-63A	24	17	12	10	8	4	3	3
EJB-71	59	35	28	25	21	12	10	6
EJB-73	26	18	14	12	8	11	4	2
EJB-91	70	42	35	35	24	18	13	8
EJB-93	30	24	21	14	12	7	5	3

Body and cover enclosures indicative maximum quantity of holes of the same size
Reference details



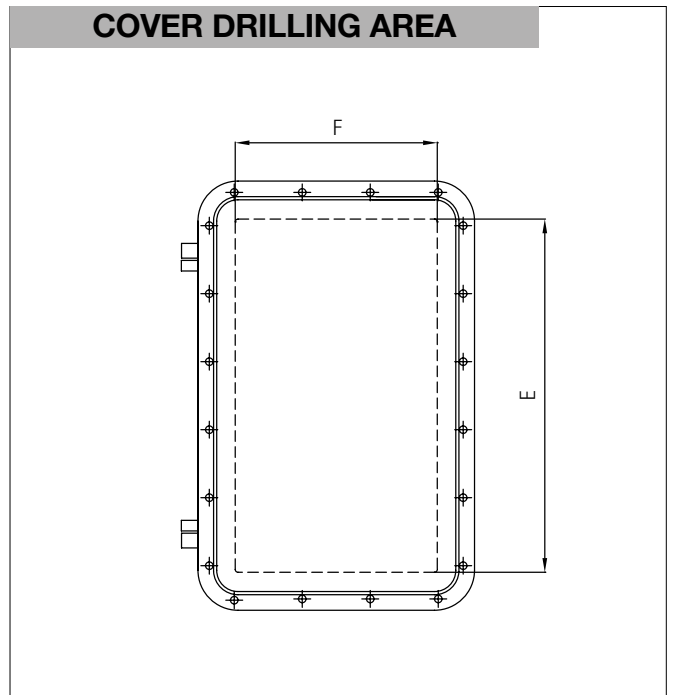
Threads comparison table

SIZE	EN10226-2	ISO 228-1	B1.20.1	ISO 262
0	R-Rc 1/8"	G 1/8"	1/8" NPT	M10
1	R-Rc 1/2"	G 1/2"	1/2" NPT	M20
2	R-Rc 3/4"	G 3/4"	3/4" NPT	M25
3	R-Rc 1"	G 1"	1" NPT	M32
4	R-Rc 1-1/4"	G 1-1/4"	1-1/4" NPT	M40
5	R-Rc 1-1/2"	G 1-1/2"	1-1/2" NPT	M50
6	R-Rc 2"	G 2"	2" NPT	M63
7	R-Rc 2-1/2"	G 2-1/2"	2-1/2" NPT	M75
8	R-Rc 3"	G 3"	3" NPT	M85
9	-	G 3-1/2"	3-1/2" NPT	M100
10	R-Rc 4"	G 4"	4" NPT	M115

Max allowed quantity of push button and pilot light

DRILLING AREA E-F	
ENCLOSURE CODE	MAX OPERATORS PERMITTED
EJB-08	10
EJB-11	4
EJB-21	12
EJB-22	12
EJB-23	16
EJB-30	30
EJB-31	30
EJB-51	54
EJB-61	56
EJB-63	56
EJB-71	48
EJB-73	48
EJB-91	54
EJB-93	54

Reference details



REMARK:

Due to the development of the national and international specifications and of the technology, the above technical characteristics showed on this bulletin can be considered as binding on our confirmation only.