



Installation: Safe Areas

Classification: IP66



REFERENCE STANDARDS

ENCLOSURE

EXECUTION	INDUSTRIAL WEATHERPROOF
RULES OF COMPLIANCE	EN 60529
EC Type-Examination Certificate	-
PROTECTION DEGREE	IP66
AMBIENT TEMPERATURE	-60°C ÷ +60°C

Mechanical characteristics

Body	marine grade copper free aluminium light alloy
Cover	marine grade copper free aluminium light alloy
Screws	stainless steel
Internal plate	aluminium
Gasket	silicon rubber



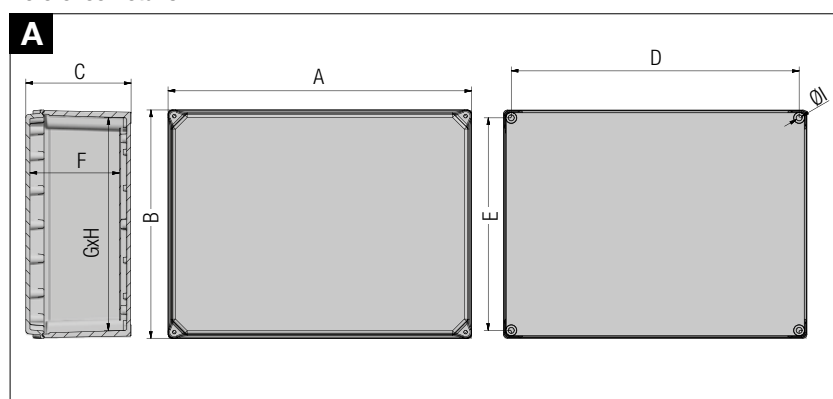
On Request Accessories:

- External epoxy painting with colour on request
- Internal anticondensate painting orange RAL-2004
- Drain and breather valves

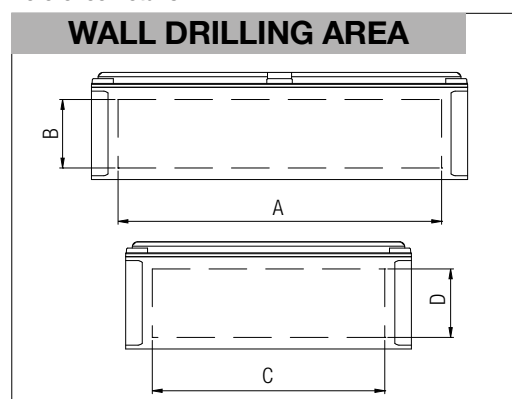
Tehnichal Features

CODE	A [mm]	B [mm]	C [mm]	D [mm]	E [mm]	F [mm]	G [mm]	H [mm]	I [mm]	INT.PLATE X - Y [mm]	WEIGHT [Kg]	DETAIL
ES1313	130	130	87	115	115	70	112	112	6	110 - 70	1,20	A
ES1717	170	170	97	155	155	81	151	151	6	150 - 150	1,50	A
ES2216	220	160	96	205	145	80	141	201	6	200 - 100	3,80	A
ES2222	220	220	112	205	205	95	201	201	6	200 - 200	4,40	A
ES3322	330	220	123	310	200	103	201	311	8	294 - 154	6,40	A
ES3333	330	330	131	310	310	111	311	311	8	290 - 290	8,80	A
ES4433	440	330	154	420	310	131	311	421	8	400 - 290	11,40	A
ES5242	520	420	183	496	394	159	398	499	8	460 - 370	20,20	A
ES6348	630	480	181	615	465	156	459	609	8	550 - 400	21,30	A

Reference Details



Reference Details



Body enclosures indicative maximum quantity of holes of the same size

ENCLOSURE CODE	DRILL AREA A - B [mm]	QUANTITY ALLOWED ENTRIES FOR SIZE (from 1 to size 8)							
		1	2	3	4	5	6	7	8
		ESA1313	88 x 55	2	1	1	1	/	/
ESA1717	150 x 70	5	3	2	2	2	1	/	/
ESA2216	200 x 70	6	3	3	3	2	2	/	/
ESA2222	200 x 85	9	5	3	3	3	2	2	/
ESA3322	285 x 90	12	7	6	5	4	3	3	/
ESA3333	275 x 90	12	7	6	5	4	3	2	/
ESA4433	370 x 110	20	14	12	12	6	5	3	/
ESA5242	420 x 145	30	18	16	12	12	8	4	3
ESA6348	500 x 140	36	24	18	16	12	10	6	4

ENCLOSURE CODE	DRILL AREA C - D [mm]	QUANTITY ALLOWED ENTRIES FOR SIZE (from 1 to size 8)							
		1	2	3	4	5	6	7	8
		ESA1313	88 x 55	2	1	1	1	/	/
ESA1717	150 x 70	5	3	2	2	2	1	/	/
ESA2216	120 x 70	4	2	2	2	1	1	/	/
ESA2222	200 x 85	8	5	3	3	3	2	2	/
ESA3322	200 x 90	8	5	4	4	3	2	2	/
ESA3333	275 x 90	12	7	6	5	4	3	2	/
ESA4433	265 x 110	14	10	8	8	4	3	2	/
ESA5242	360 x 145	28	18	14	11	10	7	4	1
ESA6348	400 x 140	30	21	15	12	10	8	4	3

Indicative quantity of terminals and relevant section

CODE ENCLOSURE	SECT. 2,5 [sq/mm]	SECT. 6,0 [sq/mm]	SECT. 10,0 [sq/mm]	SECT. 16,0 [sq/mm]	SECT. 35,0 [sq/mm]	SECT. 50,0 [sq/mm]	SECT. 70,0 [sq/mm]	SECT.240,0 [sq/mm]	NT.PLATE X - Y [mm]
ES1313	10 x 1	5 x 1	4 x 1	4 x 1	3 x 1	2 x 1	1 x 1	/	112 - 70
ES1717	20 x 1	10 x 1	8 x 1	8 x 1	6 x 1	3 x 1	2 x 1	1 x 1	150 - 150
ES2216	30 x 1	18 x 1	14 x 1	10 x 1	8 x 1	3 x 1	2 x 1	1 x 1	200 - 100
ES2222	26 x 1	16 x 1	12 x 1	10 x 1	8 x 1	4 x 1	2 x 1	2 x 1	200 - 200
ES3322	46 x 1	26 x 1	22 x 1	18 x 1	14 x 1	10 x 1	6 x 1	2 x 1	294 - 154
ES3333	46 x 2	24 x 2	22 x 2	16 x 2	14 x 2	10 x 1	8 x 1	3 x 1	290 - 290
ES4433	70 x 2	40 x 2	32 x 2	26 x 2	20 x 2	14 x 2	10 x 1	4 x 1	400 - 290
ES5242	70 x 3	44 x 3	34 x 3	30 x 3	22 x 3	18 x 2	14 x 1	6 x 1	460 - 370
ES6348	120 x 3	76 x 3	60 x 3	50 x 3	34 x 3	30 x 2	24 x 1	12 x 1	550 - 400

REMARK:

Due to the development of the national and international specifications and of the technology, the above technical characteristics showed on this bulletin can be considered as binding on our confirmation only.