



**Installation:** hazardous areas - Zone 1 / 2 (Gases) - Zone 21 / 22 (Dusts)  
**Classification:** Group II - Category 2G 2D



**REFERENCE STANDARDS**

**Directive 2014/34/EU**

EXECUTION	⊗ II 2 G Ex e IIB or IIC T6 ÷ T3 Gb ⊗ II 2 D Ex tb IIIC T85°C ÷ T200°C Db
RULES OF COMPLIANCE	EN/IEC 60079-0; EN/IEC 60079-1; EN/IEC 60079-7; EN/IEC 60079-11; EN/IEC 60079-18; EN/IEC 60079-31
EC Type-Examination Certificate	INERIS 02 ATEX 0067X
PROTECTION DEGREE	IP66
AMBIENT TEMPERATURE	-60°C ÷ +60°C (+160°C with ceramic terminals)
OTHER AVAILABLE CERTIFICATES	Component: INERIS 13 ATEX 9028U IECEX: IECEX INE11.0016 INMETRO: CEPTEL 12.2159 EAC: TC RU C-IT.ГБ08.B.02506 RINA: ELE139017CS002 RUSSIAN MARINE CERTIFICATE (RMRS): 13.03518.315 NEC 505: UL 20141112-E465037 - Type rating NEMA 1, 12, 4 and 4X

**Mechanical characteristics**

Body	marine grade copper free aluminium light alloy
Cover	marine grade copper free aluminium light alloy
Screws	stainless steel
Internal plate	aluminium
Gasket	silicon rubber



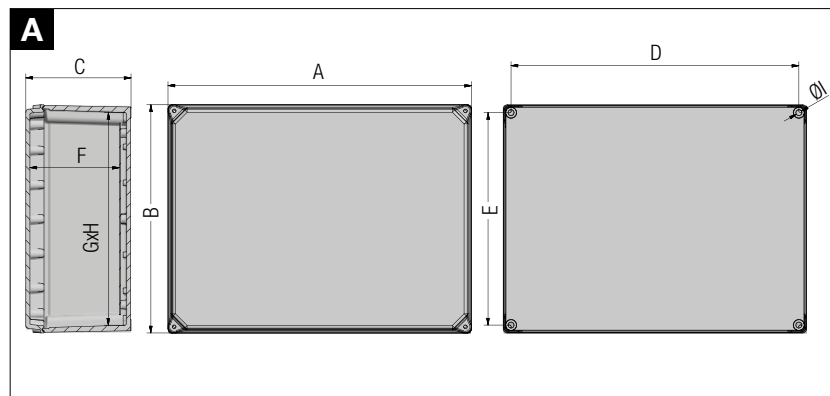
**On Request Accessories:**

- External epoxy painting with colour on request
- Internal anticondensate painting orange RAL-2004
- Drain and breather valves

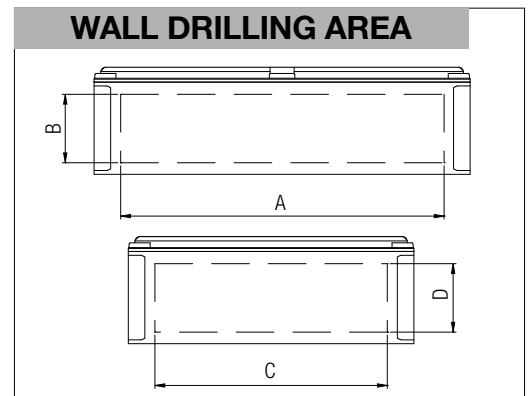
**Technical Features**

CODE	A [mm]	B [mm]	C [mm]	D [mm]	E [mm]	F [mm]	G [mm]	H [mm]	I [mm]	INT.PLATE X - Y [mm]	WEIGHT [Kg]	DETAIL
ESA1313	130	130	87	115	115	70	112	112	6	110 - 70	1,20	A
ESA1717	170	170	97	155	155	81	151	151	6	150 - 150	1,50	A
ESA2216	220	160	96	205	145	80	141	201	6	200 - 100	3,80	A
ESA2222	220	220	112	205	205	95	201	201	6	200 - 200	4,40	A
ESA3322	330	220	123	310	200	103	201	311	8	294 - 154	6,40	A
ESA3333	330	330	131	310	310	111	311	311	8	290 - 290	8,80	A
ESA4433	440	330	154	420	310	131	311	421	8	400 - 290	11,40	A
ESA5242	520	420	183	496	394	159	398	499	8	460 - 370	20,20	A
ESA6348	630	480	181	615	465	156	459	609	8	550 - 400	21,30	A

**Reference Details**



**Reference Details**



**Body enclosures indicative maximum quantity of holes of the same size**

ENCLOSURE CODE	DRILL AREA A - B [mm]	QUANTITY ALLOWED ENTRIES FOR SIZE (from 1 to size 8)							
		1	2	3	4	5	6	7	8
		ESA1313	88 x 55	2	1	1	1	/	/
ESA1717	150 x 70	5	3	2	2	2	1	/	/
ESA2216	200 x 70	6	3	3	3	2	2	/	/
ESA2222	200 x 85	9	5	3	3	3	2	2	/
ESA3322	285 x 90	12	7	6	5	4	3	3	/
ESA3333	275 x 90	12	7	6	5	4	3	2	/
ESA4433	370 x 110	20	14	12	12	6	5	3	/
ESA5242	420 x 145	30	18	16	12	12	8	4	3
ESA6348	500 x 140	36	24	18	16	12	10	6	4

ENCLOSURE CODE	DRILL AREA C - D [mm]	QUANTITY ALLOWED ENTRIES FOR SIZE (from 1 to size 8)							
		1	2	3	4	5	6	7	8
		ESA1313	88 x 55	2	1	1	1	/	/
ESA1717	150 x 70	5	3	2	2	2	1	/	/
ESA2216	120 x 70	4	2	2	2	1	1	/	/
ESA2222	200 x 85	8	5	3	3	3	2	2	/
ESA3322	200 x 90	8	5	4	4	3	2	2	/
ESA3333	275 x 90	12	7	6	5	4	3	2	/
ESA4433	265 x 110	14	10	8	8	4	3	2	/
ESA5242	360 x 145	28	18	14	11	10	7	4	1
ESA6348	400 x 140	30	21	15	12	10	8	4	3

**Indicative quantity of terminals and relevant section**

CODE ENCLOSURE	SECT. 2,5 [sq/mm]	SECT. 6,0 [sq/mm]	SECT. 10,0 [sq/mm]	SEZ. 16,0 [sq/mm]	SEZ. 35,0 [sq/mm]	SECT. 50,0 [sq/mm]	SECT. 70,0 [sq/mm]	SECT. 240,0 [sq/mm]	INT.PLATE X - Y [mm]
ESA1313	10 x 1	5 x 1	4 x 1	4 x 1	3 x 1	2 x 1	1 x 1	/	112 - 70
ESA1717	20 x 1	10 x 1	8 x 1	8 x 1	6 x 1	3 x 1	2 x 1	1 x 1	150 - 150
ESA2216	30 x 1	18 x 1	14 x 1	10 x 1	8 x 1	3 x 1	2 x 1	1 x 1	200 - 100
ESA2222	30 x 1	18 x 1	14 x 1	10 x 1	8 x 1	4 x 1	2 x 1	2 x 1	200 - 200
ESA3322	46 x 1	26 x 1	22 x 1	18 x 1	14 x 1	10 x 1	6 x 1	2 x 1	294 - 154
ESA3333	46 x 2	24 x 2	22 x 2	16 x 2	14 x 2	10 x 1	8 x 1	3 x 1	290 - 290
ESA4433	70 x 2	40 x 2	32 x 2	26 x 2	20 x 2	14 x 2	10 x 1	4 x 1	400 - 290
ESA5242	70 x 3	44 x 3	34 x 3	30 x 3	22 x 3	18 x 2	14 x 1	6 x 1	460 - 370
ESA6348	90 x 3	56 x 3	44 x 3	40 x 3	28 x 3	24 x 2	20 x 1	10 x 1	550 - 400

**REMARK:**

Due to the development of the national and international specifications and of the technology, the above technical characteristics showed on this bulletin can be considered as binding on our confirmation only.