


**Installation:** hazardous areas - Zone 1 / 2 (Gases) - Zone 21 / 22 (Dusts)

**Classification:** Group II - Category 2G 2D

**REFERENCE STANDARDS**
**Directive 2014/34/EU**

EXECUTION	⊗ Ex db op is IIC T6 Gb ⊗ Ex db eb op is IIC T6 Gb ⊗ Ex op is tb IIC T85°C Db IP66
RULES OF COMPLIANCE	EN/IEC 60079-0; EN/IEC 60079-1; EN/IEC 60079-7; EN/IEC 60079-31; EN/IEC 60079-28
EC Type-Examination Certificate	INERIS 12 ATEX 023X
PROTECTION DEGREE	IP66
AMBIENT TEMPERATURE	-20°C ÷ +60°C
OTHER AVAILABLE CERTIFICATES	IECEx: IECEx INE 13.0055X  INMETRO: CEPTEL 13.2291X  EAC: TC RU C-IT.BH02.B.00602 (-45°C ÷ +60°C)

**Mechanical characteristics**

Body	marine grade copper free aluminium
Tubes	high-temperature resistant borosilicate glass tube
Painting	external epoxy powders grey ral-9006 colour
Screws	external stainless steel
Gaskets	silicon rubber O-Ring
Reflectors	white stove enamelled sheet steel
Cable entry	3/4" NPT size threaded (Ex-d) ISO-M25 size threaded (Ex-de)

**Electrical characteristics for fluorescent lamps**

Power Supply	dual channel electronic ballast: - 110÷240Vac - 50/60 Hz (cos ρ ≥ 0,98) - 110÷240Vdc
Lampholders	Bi-Pin G13 Cap
Internal Wiring	105° C resistant silicon rubber insulation cables
Terminals	suitable up to 4sq/mm cables
Emergency Unit	emergency unit composed of inverter charger and Ni-Cd battery pack 4A/h 4.8v. autonomy 120min. LED power-on indicating lamp provided - (inverter) 220÷240V 50/60Hz

**Electrical characteristics for LED strips lamp**

Power Supply	100÷240V 50/60Hz (cos ρ ≥ 0,98) - AT version 220÷240V 50/60Hz (cos ρ ≥ 0,98) - TR version
Internal Wiring	105° C resistant silicon rubber insulation cables
Terminals	suitable up to 4sq/mm cables
Emergency Unit	emergency unit composed of inverter charger and Ni-Cd battery pack 4A/h 6.0V autonomy 180min. LED power-on indicating lamp provided - (inverter) 220÷240V 50/60Hz


**On Request Accessories:**

- Pole mounting kit complete with stainless steel hardware
- Ceiling mounting kit complete with stainless steel hardware
- Pendant mounting kit complete with stainless steel hardware
- Wall/Structure mounting kit complete with stainless steel hardware
- External painting colour on request
- Electronic ballast with voltage supply different than standard
- Protection guard

**Technical data**

CODE	LAMP	TEMPERATURE CLASS (GAS)	TEMPERATURE CLASS (DUSTS)	LAMPHOLDER	EMERGENCY UNIT	AUTONOMY
<b>FLUORESCENT LIGHTING FIXTURES FOR SINGLE AND TWIN LAMPS - POWER SUPPLY (110÷240Vac - 50/60 Hz) - (110÷240Vdc)</b>						
EVFG*18	1 x 8W	T6	T 85°C	G5	-	-
EVFG*28	2 x 8W	T6	T 85°C	G5	-	-
EVFG*118	1 x 18W	T6	T 85°C	G13	-	-
EVFG*218	2 x 18W	T6	T 85°C	G13	-	-
EVFG*136	1 x 36W	T6	T 85°C	G13	-	-
EVFG*236	2 x 36W	T6	T 85°C	G13	-	-
EVFG*158	1 x 58W	T6	T 85°C	G13	-	-
EVFG*258	2 x 58W	T6	T 85°C	G13	-	-

\*d: for Exd version (Ex. EVFGd120LED) - Without "d" for Exde version (Ex. EVFG120LED)

<b>EMERGENCY FLUORESCENT LIGHTING FIXTURES FOR SINGLE AND TWIN LAMPS - POWER SUPPLY (inverter) 220÷240V 50/60Hz</b>						
EVFG*E18	1 x 8W	T6	T 85°C	G5	4.8 V - 4Ah	120 min.
EVFG*E28	2 x 8W	T6	T 85°C	G5	4.8 V - 4Ah	120 min.
EVFG*E118	1 x 18W	T6	T 85°C	G13	4.8 V - 4Ah	120 min.
EVFG*E218	2 x 18W	T6	T 85°C	G13	4.8 V - 4Ah	120 min.
EVFG*E136	1 x 36W	T6	T 85°C	G13	4.8 V - 4Ah	120 min.
EVFG*E236	2 x 36W	T6	T 85°C	G13	4.8 V - 4Ah	120 min.
EVFG*E158	1 x 58W	T6	T 85°C	G13	4.8 V - 4Ah	120 min.
EVFG*E258	2 x 58W	T6	T 85°C	G13	4.8 V - 4Ah	120 min.

\*d: for Exd version (Ex. EVFGdE236) - Without "d" for Exde version (Ex. EVFGE236)

EMERGENCY OPERATING WITH ONE TUBE LAMP ONLY AS STANDARD

<b>LIGHTING FIXTURES FOR LED STRIPES LAMP ("TR" VERSION) - CCT: 5000K / CRI: 80 - POWER SUPPLY 220÷240Vac</b>						
CODE	LAMP	TEMPERATURE CLASS (GAS)	TEMPERATURE CLASS (DUSTS)	OUTPUT (lm)	EMERGENCY UNIT	DIMENSIONALLY EQUIVALENT TO
EVFG*66LED_T	66 LED / 22W	T6	T 85°C	3180	-	18W FLUO. L=745 mm
EVFG*132LED_T	132 LED / 44W	T6	T 85°C	6340	-	36W FLUO. L=1345 mm
EVFGE*66LED_T	66 LED / 22W	T6	T 85°C	3180	6.0 V - 4Ah AUTONOMY 180 min.	18W FLUO. L=745 mm
EVFGE*132LED_T	132 LED / 44W	T6	T 85°C	6340	6.0 V - 4Ah AUTONOMY 180 min.	36W FLUO. L=1345 mm

\*d: for Exd version (Ex. EVFGd132LED\_T) - Without "d" for Exde version (Ex. EVFG132LED\_T)

**Note:** LED stripes lamps included along with lighting fixtures

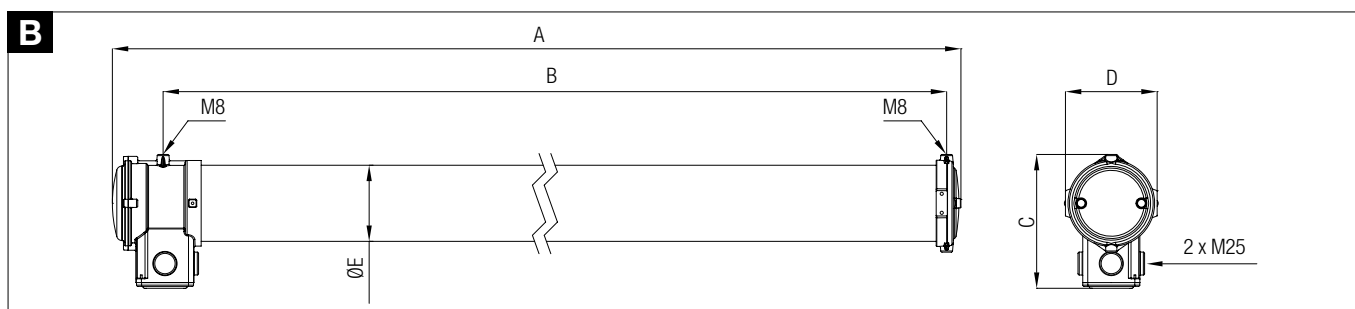
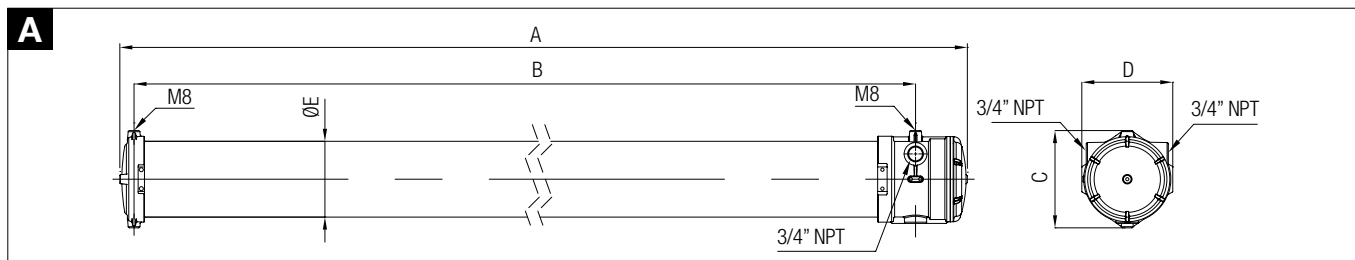
EMERGENCY OPERATING WITH 66 LED UNITS ONLY AS STANDARD

<b>LIGHTING FIXTURES FOR LED STRIPES LAMP („AT“ VERSION) - CCT : 4000K / CRI : 70 - POWER SUPPLY 100÷240Vac</b>						
CODE	LAMP	TEMPERATURE CLASS (GAS)	TEMPERATURE CLASS (DUSTS)	OUTPUT (lm)	EMERGENCY UNIT SUPPLY = 220÷240Vac	DIMENSIONALLY EQUIVALENT TO
EVFG*40LED_A	40 LED / 31W	T6	T 85°C	3200	-	18W FLUO. L=745 mm
EVFG*48LED_A	48 LED / 38W	T6	T 85°C	4700	-	18W FLUO. L=745 mm
EVFG*80LED_A	80 LED / 62W	T6	T 85°C	6100	-	18W FLUO. L=745 mm
EVFGE*40LED_A	40 LED / 31W	T6	T 85°C	3200	6.0 V - 4Ah AUTONOMY 180 min.	18W FLUO. L=745 mm

\*d: or Exd version (Ex. EVFGd40LED\_A) - Without "d" for Exde version (Ex. EVFG40LED\_A)

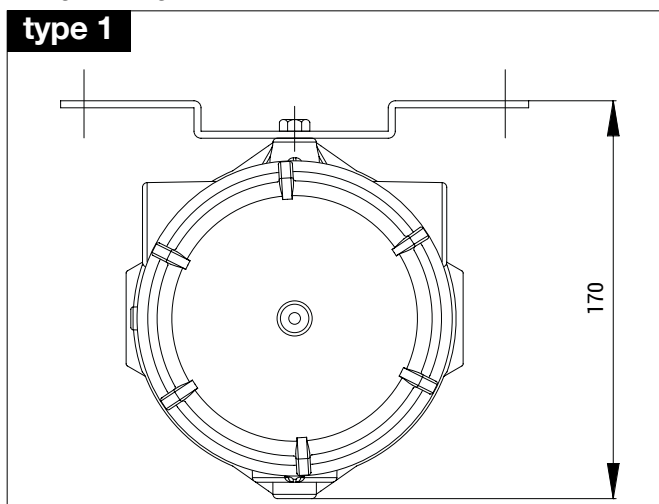
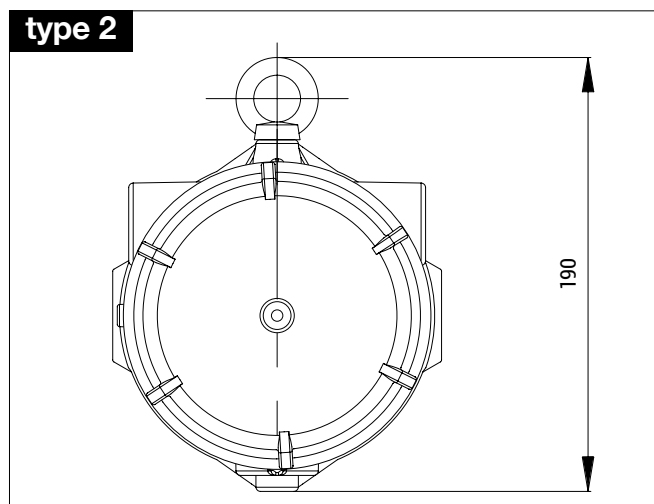
**Note:** LED stripes lamps included along with lighting fixtures

EMERGENCY OPERATING WITH 40 LED UNITS ONLY AS STANDARD

**Reference details**

**Technical features**

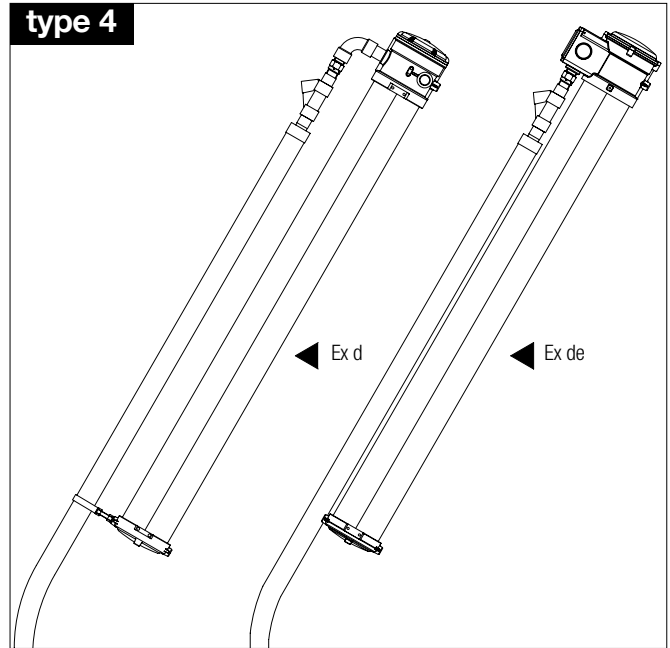
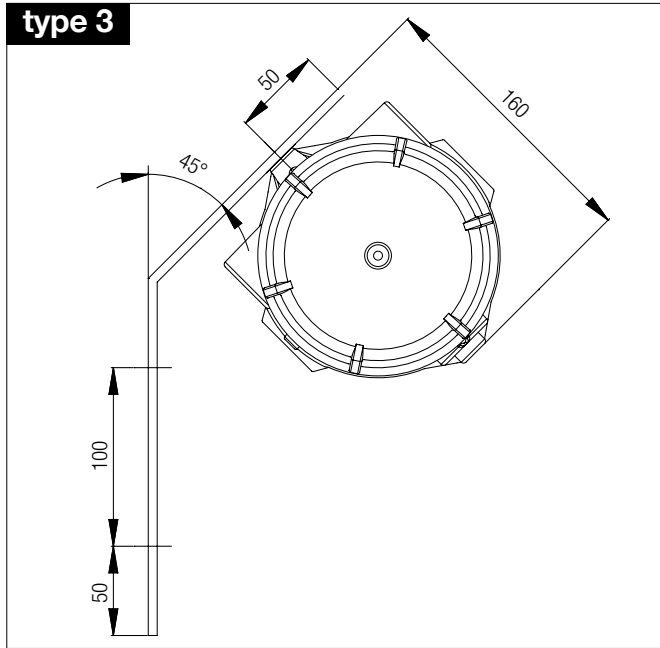
CODE	A [mm]	B [mm]	C [mm]	D [mm]	ØE [mm]	WEIGHT [kg] **	CABLE ENTRY	DETAIL
EVFGd*8	495	390	154	145	120	3,50	2 x 3/4"	A
EVFGdE*8						4,50		
EVFGd*18 / **LED_A / 66LED_T	745	640	154	145	120	5,50	2 x 3/4"	A
EVFGdE*18 / 40LED_A / 66LED_T						5,50		
EVFGd*36 / 132LED_T	1345	1240	154	145	120	9,00	2 x 3/4"	A
EVFGdE*36 / 132LED_T						9,00		
EVFGd*58	1645	1540	154	145	120	10,00	2 x 3/4"	A
EVFGdE*58						11,40		
EVFG*8	495	390	218	145	120	4,00	2 x M25	B
EVFGE*8						5,00		
EVFG*18 / **LED_A / 66LED_T	745	640	218	145	120	6,50	2 x M25	B
EVFGE*18 / 40LED_A / 66LED_T						6,50		
EVFG*36 / 132LED_T	1345	1240	218	145	120	10,00	2 x M25	B
EVFGE*36 / 132LED_T						10,00		
EVFG*58	1645	1540	218	145	120	10,80	2 x M25	B
EVFGE*58						12,20		

\* = 1 or 2: 1= single lamp - 2= twin lamp / \*\* = 40LED\_A or 48LED\_A or 80LED\_A

**EVFG Installation and mounting details**
**Ceiling mounting**

**Pendant mounting**


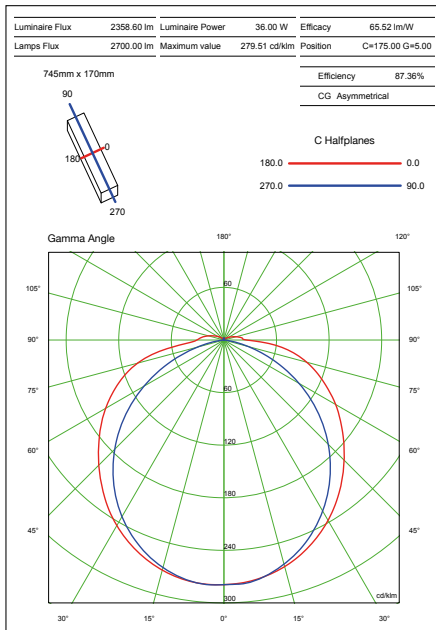
Wall/structure mounting

Pole mounting  
Assemblig detail with pole (typical)

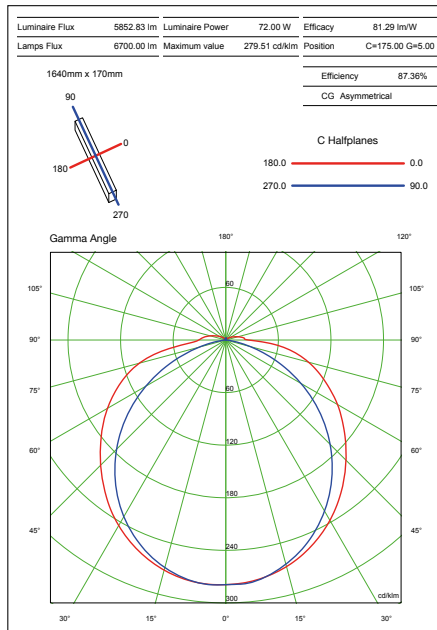


EVFG Polar diagrams – photometric data

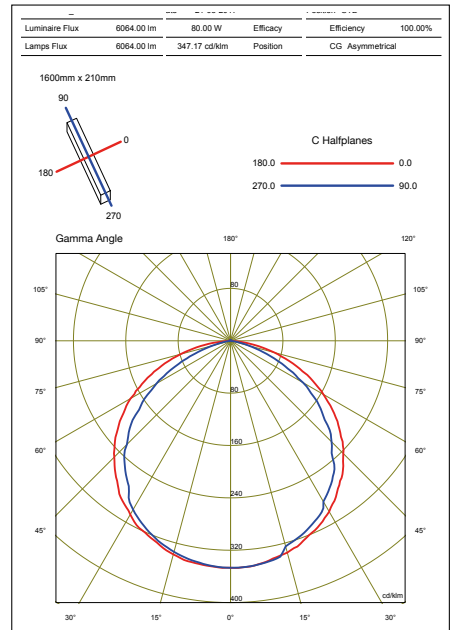
EVFG218



EVFG236



EVFG80LED\_A



On request accessories

CODE	DESCRIPTION	INSTALLATION	MATERIAL
GUARDEVFG18	PROTECTION GUARD FOR 18W FL and LED LIGHTING FIXTURES SIZE 40, 48, 66, 80	-	H.D. GALVANIZED STEEL
GUARDEVFG36	PROTECTION GUARD FOR 36W FL and LED LIGHTING FIXTURES SIZE 132	-	H.D. GALVANIZED STEEL
GUARDEVFG58	PROTECTION GUARD FOR 58W FL	-	H.D. GALVANIZED STEEL
GUARDEVFG18IX	PROTECTION GUARD FOR 18W FL and LED LIGHTING FIXTURES SIZE 40, 48, 66, 80	-	STAINLESS STEEL
GUARDEVFG36IX	PROTECTION GUARD FOR 36W FL and LED LIGHTING FIXTURES SIZE 132	-	STAINLESS STEEL
GUARDEVFG58IX	PROTECTION GUARD FOR 58W FL	-	STAINLESS STEEL
20302.0121	CEILING MOUNTING KIT C/W HARDWARE	TYPE 1	GALVANIZED STEEL
20302.0103	PENDANT MOUNTING KIT C/W HARDWARE	TYPE 2	GALVANIZED STEEL
20302.0128	WALL/STRUCTURE MOUNTING KIT C/W HARDWARE	TYPE 3	GALVANIZED STEEL
20301.0163	POLE MOUNTING KIT (SIZE 1 1/2" DIA.) C/W HARDWARE	TYPE 4	GALVANIZED STEEL
20301.0162	POLE MOUNTING KIT (SIZE 2" DIA.) C/W HARDWARE	TYPE 4	GALVANIZED STEEL

REMARK:

Due to the development of the national and international specifications and of the technology, the above technical characteristics showed on this bulletin can be considered as binding on our confirmation only.