



**Installation:** hazardous areas - Zone 1 / 2 (Gases) - Zone 21 / 22 (Dusts)

**Classification:** Group II - Category 2G 2D



**REFERENCE STANDARDS**

**Directive 2014/34/EU**

EXECUTION	<ul style="list-style-type: none"> <li>⊗ Ex db eb IIC T6 Gb</li> <li>⊗ Ex db op is IIC T6 Gb (for PCB LED type only)</li> <li>⊗ Ex db eb op is IIC T6 Gb (for PCB LED type only)</li> <li>⊗ Ex tb IIIC T85°C Db</li> <li>⊗ Ex op is tb IIIC T85°C Db (for PCB LED type only)</li> </ul>
RULES OF COMPLIANCE	EN/IEC 60079-0; EN/IEC 60079-1; EN/IEC 60079-7; EN/IEC 60079-31;
EC Type-Examination Certificate	INERIS 12 ATEX 023X
PROTECTION DEGREE	IP66
AMBIENT TEMPERATURE	-20°C ÷ +60°C
OTHER AVAILABLE CERTIFICATES	IECEX: IECEX INE 13.0055X INMETRO: CEPEL 13.2291X EAC: TC-RU C-IT.Г Ё08.B.01342 (-45°C ÷ +60°C) RUSSIAN MARINE CERTIFICATE (RMRS): 19.02519.280

**Electrical characteristics**

Power supply (fluo)	electronic ballast: 230V÷240Vac 50/60Hz (cos ρ ≥ 0,98) 230V÷240Vdc
Power supply (led)	electronic ballast 100V/240V 50/60Hz (always on - maintained) electronic ballast 110V/240V 50/60Hz (network only - not maintained) electronic ballast 110V/240V 50/60Hz (only in emergency)
Lampholders	bi-in g5 cap (fluorescent lamp only)
Internal Wiring	high-temperature resistant silicon rubber insulation cables
Terminals	suitable up to 4sq/mm cables
Emergency Unit	emergency unit for maintained and not maintained (see technical data table)

**Mechanical characteristics**

Body	marine grade copper free aluminium
Diffuser	high-temperature resistant borosylicate glass
Painting	external epoxy powders grey ral-9006 colour
Screws	external stainless steel
Reflectors	white stove enamelled sheet steel
Cable entry	3/4" NPT size threaded (Ex-d) ISO-M25 size threaded (Ex-de)

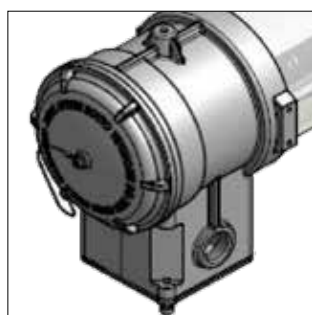
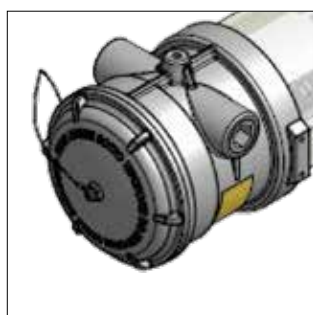
**Functional characteristics**

EVFG** *8 (Network only)	8W fluorescent lamp and electronic ballast 230V÷240Vac 50/60Hz 230V÷240Vdc
EVFG** *8ESA-3 (Always On - Maintained)	8W fluorescent lamp and electronic ballast 230V/240V AC
EVFG** *8E-3 (Emergency only - Not Maintained)	8W fluorescent lamp and electronic ballast 230V/240V AC
EVFG** *8L (Network only)	with high brightness LEDs (350mA - 4W) supply from 100V up to 240V AC
EVFG** *8LE-SA (Always On - Maintained)	with high brightness LEDs (350mA - 4W) supply from 110V up to 240V AC with charge status monitor LED system (GREEN: battery under charging)
EVFG** *8LE (Emergency only - Not maintained)	with high brightness LEDs (350mA - 4W) supply from 110V up to 240V AC with charge status monitor LED system (GREEN: battery under charging)

\*\* : with "d" for Exd version (Ex. EVFGd \*8) - without "d" for Exde version (Ex. EVFG \*8) - \* = 1 or 2 : with "1" = single lamp - with "2" = two lamps

**On Request Accessories:**

- External painting colour on request
- Electronic ballast with voltage supply different than standard
- Threaded cable entry different than standard
- Self-adhesive green label with EXIT sign (language on request)



**Technical data**

CODE	POWER SUPPLY	LAMP	mA (LED)	TEMPERATURE CLASS (GAS)	TEMPERATURE CLASS (DUSTS)	EMERGENCY UNIT	AUTONOMY
<b>LIGHTING FIXTURES FOR FLUORESCENT TUBE LAMPS</b>							
EVFG**18	230 ÷ 240V AC/DC	8 W x 1	-	T6	T 85°C	no	-
EVFG**18E-3	230 ÷ 240V AC	8 W x 1	-	T6	T 85°C	3,6V - 4A/h	3h
EVFG**18ESA-3	230 ÷ 240V AC	8 W x 1	-	T6	T 85°C	3,6V - 4A/h	3h
EVFG**28	230 ÷ 240V AC/DC	8 W x 2	-	T6	T 85°C	no	-
EVFG**28ESA-3	230 ÷ 240V AC	8 W x 2	-	T6	T 85°C	3,6V - 4A/h	3h

\*\* : with "d" for Exd version (Ex. EVFGd18) - without "d" for Exde version (Ex. EVFG28)

<b>LIGHTING FIXTURES FOR HIGH EFFICIENCY LED LAMPS</b>							
EVFG**18L	100 ÷ 240V AC	1W x 4	350	T6	T 85°C	no	-
EVFG**18LE	110 ÷ 240V AC	1W x 4	350	T6	T 85°C	6V - 2,6A/h	3h
EVFG**18LE-SA	110 ÷ 240V AC	1W x 4	350	T6	T 85°C	6V - 2,6A/h	3h
EVFG**28L	100 ÷ 240V AC	(1W x 4) x 2	350	T6	T 85°C	no	-
EVFG**28LE-SA	110 ÷ 240V AC	(1W x 4) x 2	350	T6	T 85°C	6V - 2,6A/h	3h

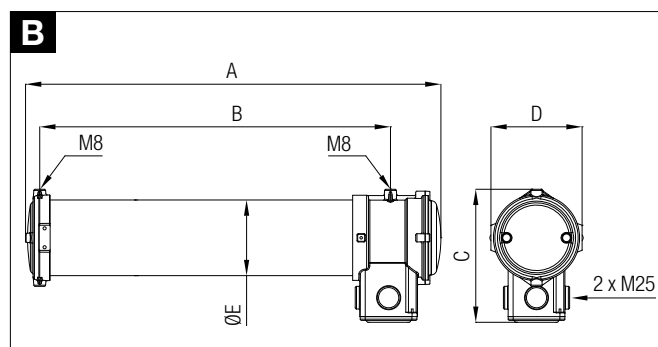
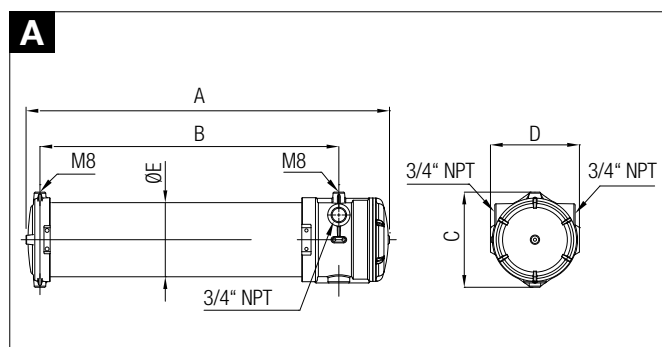
\*\* : with "d" for Exd version (Ex. EVFGd18) - without "d" for Exde version (Ex. EVFG28)

**Technical features**

CODE	A [mm]	B [mm]	C [mm]	D [mm]	ØE [mm]	WEIGHT [Kg] **	CABLE ENTRY	DETAIL
EVFGd*8	495	390	154	145	120	3,50	2 x 3/4"	A
EVFGd*8E-3						4,50		
EVFG*8	495	390	218	145	120	4,00	2 x M25	B
EVFG*8E-3						5,00		

\*= 1 or 2: with "1"= single lamp - with "2"= two lamps

**Reference details**



**On request accessories**

CODE	DESCRIPTION	MATERIAL
2070.00088	SELF-ADHESIVE GREEN "EXIT" LABEL	POLYESTER

**REMARK:**

Due to the development of the national and international specifications and of the technology, the above technical characteristics showed on this bulletin can be considered as binding on our confirmation only.