



Installation: hazardous areas - Zone 1 / 2 (Gases) - Zone 21 / 22 (Dusts)
Classification: Group II - Category 2G 2D



REFERENCE STANDARDS

Directive 2014/34/EU

EXECUTION	<ul style="list-style-type: none"> ⊗ II 2 G Ex d IIC T6...T3 ⊗ II 2(1) GD Ex d [ia/ib IIA or IIB or IIC Ga] IIC T6...T3 ⊗ II 2 D Ex tb IIIC T85°C...T200°C ⊗ II 2 D Ex tb [ia Da/ib] IIIC T85°C
RULES OF COMPLIANCE	EN/IEC 60079-0; EN/IEC 60079-1; EN/IEC 60079-11; EN/IEC 60079-31
EC Type-Examination Certificate	INERIS 13 ATEX 0021X
PROTECTION DEGREE	IP66
AMBIENT TEMPERATURE	-60°C ÷ +80°C
OTHER AVAILABLE CERTIFICATES	Component: INERIS 13 ATEX 9018U IECEx: IECEx INE13.0069X Component: IECEx INE 13.0082U INMETRO: CEPEL 12 2141 EAC: TC RU C-IT.ГБ08.B.02506 RINA: ELE139017CS005 RUSSIAN MARINE CERTIFICATE (RMRS): 13.03518.315 UL NEC-505: 20141112-E465037 - Type rating NEMA 1, 12, 4 and 4X (GUB Series only, GUBW not included)

Mechanical characteristics

Body	marine grade copper free aluminium light alloy
Cover	marine grade copper free aluminium light alloy
Screws	stainless steel
Internal plate	hot dip galvanized steel / aluminium
Fixing	fixing lugs AL UNI 4514 casting on enclosure body



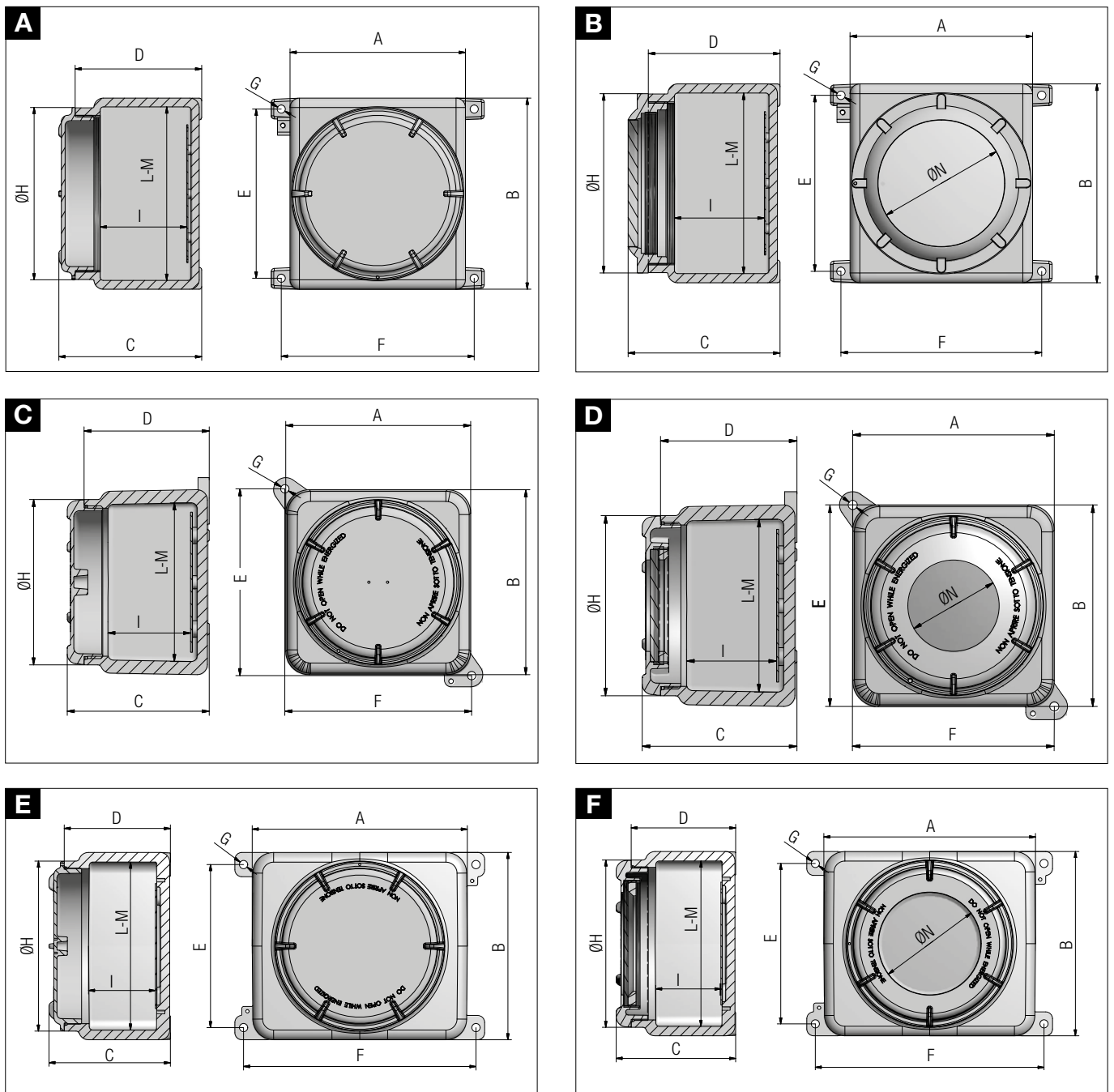
On Request Accessories:

- External epoxy painting with colour on request
- Internal anticondensate painting orange RAL-2004
- O-Ring gaskets on cover
- Glass windows on cover
- Drain and breather valves
- Galvanized steel body & cover
- Cast iron body & cover

Technical Features

CODE	A [mm]	B [mm]	C [mm]	D [mm]	E [mm]	F [mm]	Ø G [mm]	H [mm]	I [mm]	L [mm]	M [mm]	Ø N [mm]	INT.PLATE X - Y [mm]	WEIGHT [Kg]	DETAIL
GUB00	135	135	111	96	110	150	7	113	50	110	110	-	-	2,00	C
GUB0	168	168	145	125	172	172	9	154	97	137	137	-	110 - 110	4,00	C
GUB1	198	198	152	134	200	200	9	176	88	170	170	-	150 - 150	5,00	C
GUB03	280	305	228	202	270	308	13	275	133	248	270	-	200 - 220	13,50	A
GUB23	310	270	175	153	235	335	12	244	100	243	283	-	180 - 180	9,80	E
GUB4	420	420	281	230	380	460	14	410	147	384	384	-	280 - 280	31,70	A
GUB5	600	600	382	313	545	460	14	580	208	550	550	-	490 - 490	105,60	A
GUBW1	198	198	152	134	200	200	9	176	88	170	170	90	150 - 150	5,10	D
GUBW03	280	305	228	202	270	308	13	275	133	248	270	195	200 - 220	14,20	B
GUBW23	310	270	175	153	235	335	12	244	100	243	283	150	180 - 180	10,30	F
GUBW4	420	420	281	230	380	460	14	410	147	384	384	230	280 - 280	30,00	B

Reference details



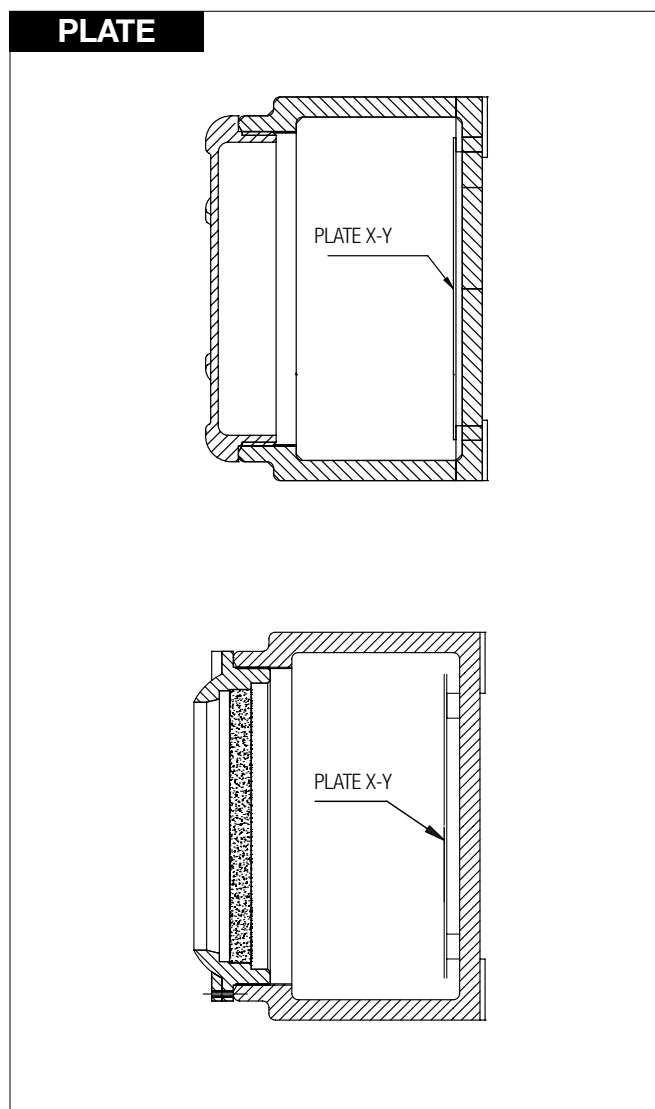
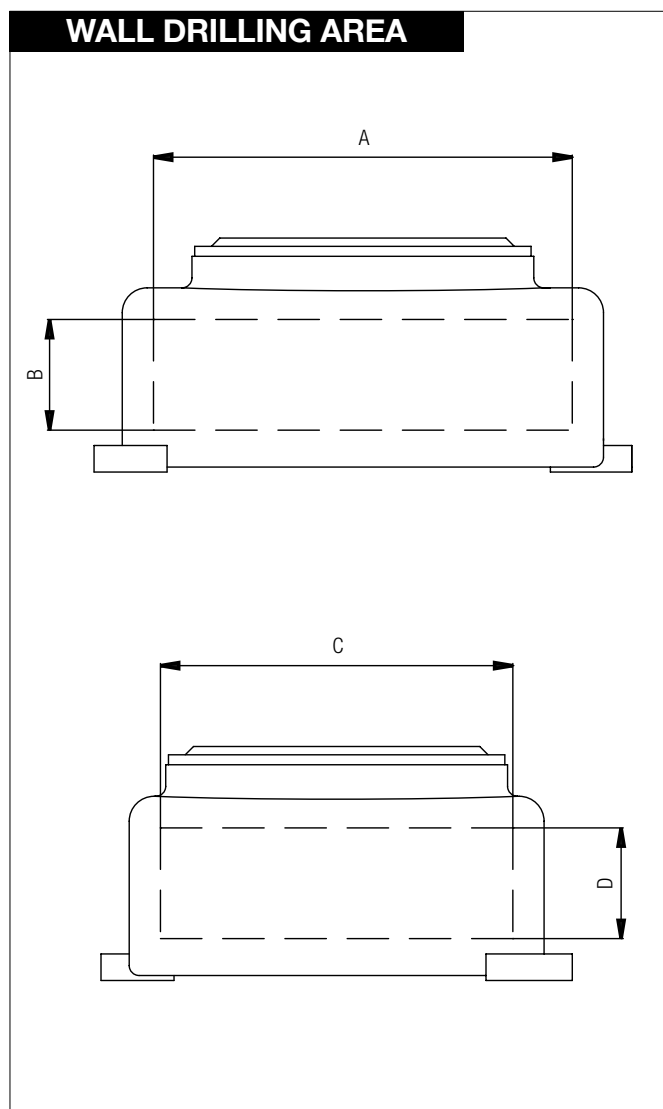


Body enclosures indicative maximum quantity of holes of the same size

ENCLOSURE CODE	DRILLING AREA A-B							
	QUANTITY ALLOWED ENTRIES FOR size (from 1 to size 8)							
	1	2	3	4	5	6	7	8
GUB00	2	1	1	1	/	/	/	/
GUB0	6	3	2	2	1	1	1	/
GUB1	6	3	3	2	2	1	1	/
GUB03	15	11	9	8	6	4	2	2
GUB23	11	10	8	6	4	3	2	/
GUB4	23	18	14	11	10	7	4	3
GUB5	45	36	27	24	18	12	6	3
GUBW1	6	3	3	2	2	1	1	/
GUBW03	15	11	9	8	6	4	2	2
GUBW23	11	10	8	6	4	3	2	/
GUBW4	23	18	14	11	10	7	4	3

ENCLOSURE CODE	DRILLING AREA C-D							
	QUANTITY ALLOWED ENTRIES FOR size (from 1 to size 8)							
	1	2	3	4	5	6	7	8
GUB00	2	1	1	1	/	/	/	/
GUB0	6	3	2	2	1	1	1	/
GUB1	6	3	3	2	2	1	1	/
GUB03	12	9	8	6	6	3	2	2
GUB23	9	8	8	5	3	3	2	/
GUB4	23	18	14	11	10	7	4	3
GUB5	45	36	27	24	18	12	6	3
GUBW1	6	3	3	2	2	1	1	/
GUBW03	12	9	8	6	6	3	2	2
GUBW23	9	8	8	5	3	3	2	/
GUBW4	23	18	14	11	10	7	4	3

Reference details



Indicative quantity of terminals and relevant section

CODE ENCLOSURE	SECT. 2,5 [sq/mm]	SECT. 6,0 [sq/mm]	SECT. 10,0 [sq/mm]	SECT. 16,0 [sq/mm]	SECT. 35,0 [sq/mm]	SECT. 50,0 [sq/mm]	SECT. 70,0 [sq/mm]	SECT. 240,0 [sq/mm]	INT.PLATE X - Y [mm]
GUB00	8x1	4x1	4x1	2x1	2x1	/	/	/	Ø90
GUB0	12x1	6x1	6x1	4x1	4x1	2x1	1x1	/	110 - 110
GUB1	20x1	10x1	10x1	6x1	6x1	4x1	2x1	1x1	150 - 150
GUB03	34x1	20x1	18x1	14x1	10x1	8x1	6x1	4x1	220 - 200
GUB23	26x1	16x1	14x1	12x1	8x1	6x1	4x1	1x1	180 - 180
GUB4	48x2	28x2	24x2	20x2	12x2	10x2	8x1	4x1	280 - 280
GUB5	64x3	40x3	36x3	30x3	11x3	16x3	16x1	6x2	490 - 490
GUBW1	20x1	10x1	10x1	6x1	6x1	4x1	2x1	1x1	150 - 150
GUBW03	34x1	20x1	18x1	14x1	10x1	8x1	6x1	4x1	220 - 200
GUBW23	26x1	16x1	14x1	12x1	8x1	6x1	4x1	1x1	180 - 180
GUBW4	48x2	28x2	24x2	20x2	12x2	10x2	8x1	4x1	280 - 280

Threads comparison table

size	EN10226-2	ISO 228-1	B1.20.1	ISO 262
0	R-Rc 1/8"	G 1/8"	1/8" NPT	M10
1	R-Rc 1/2"	G 1/2"	1/2" NPT	M20
2	R-Rc 3/4"	G 3/4"	3/4" NPT	M25
3	R-Rc 1"	G 1"	1" NPT	M32
4	R-Rc 1-1/4"	G 1-1/4"	1-1/4" NPT	M40
5	R-Rc 1-1/2"	G 1-1/2"	1-1/2" NPT	M50
6	R-Rc 2"	G 2"	2" NPT	M63
7	R-Rc 2-1/2"	G 2-1/2"	2-1/2" NPT	M75
8	R-Rc 3"	G 3"	3" NPT	M85
9	-	G 3-1/2"	3-1/2" NPT	M100
10	R-Rc 4"	G 4"	4" NPT	-

REMARK:

Due to the development of the national and international specifications and of the technology, the above technical characteristics showed on this bulletin can be considered as binding on our confirmation only.

