



Installation: hazardous areas - Zone 1 / 2 (Gases) - Zone 21 / 22 (Dusts)
Classification: Group II - Category 2G 2D



REFERENCE STANDARDS

Directive 2014/34/EU

EXECUTION	<ul style="list-style-type: none"> ⊗ II 2 G Ex d IIC T6...T3 ⊗ II 2(1) GD Ex d [ia/ib IIA or IIB or IIC Ga] IIC T6...T3 ⊗ II 2 D Ex tb IIIC T85°C...T200°C ⊗ II 2 D Ex tb [ia Da/ib] IIIC T85°C
RULES OF COMPLIANCE	EN/IEC 60079-0; EN/IEC 60079-1; EN/IEC 60079-11; EN/IEC 60079-31
EC Type-Examination Certificate	INERIS 13 ATEX 0021X
PROTECTION DEGREE	IP66
AMBIENT TEMPERATURE	-60°C ÷ +80°C
OTHER AVAILABLE CERTIFICATES	Component: INERIS 13 ATEX 9018U IECEx: IECEx INE13.0069X Component: IECEx INE 13.0082U INMETRO: CEPEL 12 2141 EAC: TC RU C-IT.ГБ08.B.02506 RINA: ELE139017CS005 RUSSIAN MARINE CERTIFICATE (RMRS): 13.03518.315 UL NEC-505: 20141112-E465037 - Type rating NEMA 1, 12, 4 and 4X (GUBINX Series only, GUBINXW not included)

Mechanical characteristics

Body	stainless steel AISI-316L
Cover	stainless steel AISI-316L
Internal plate	stainless steel AISI-316L
Fixing	fixing lugs stainless steel AISI-316L welded on enclosure body



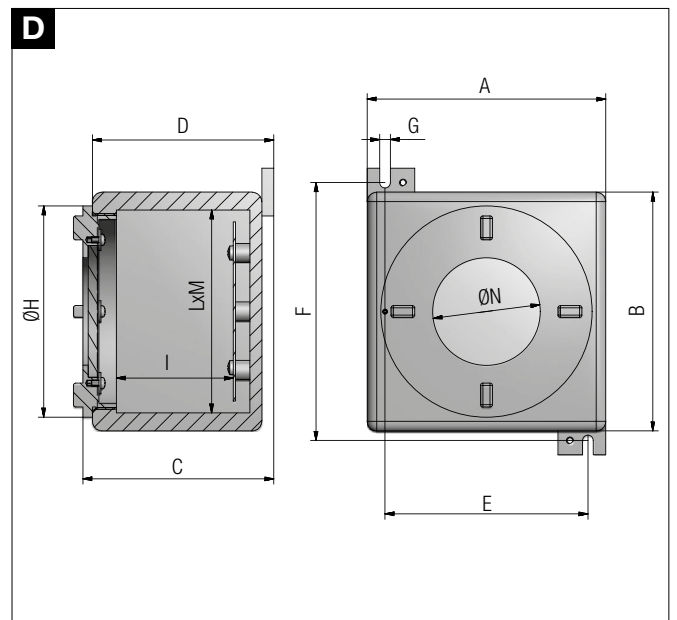
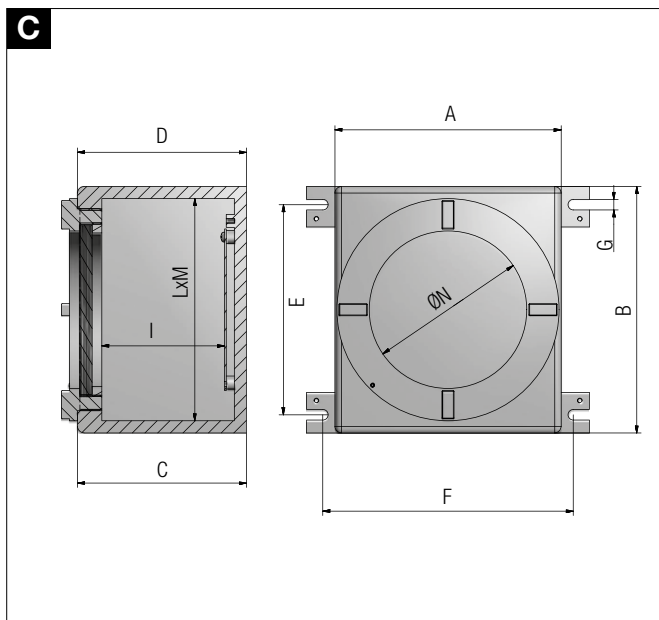
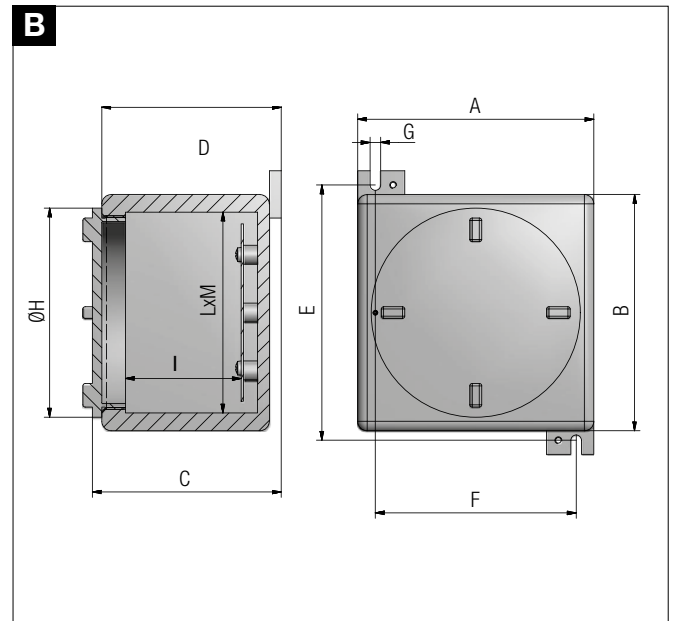
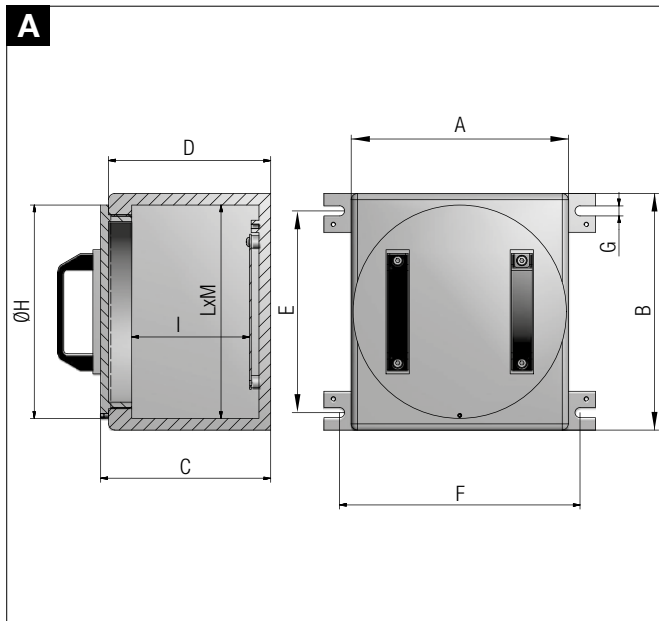
On Request Accessories:

- External epoxy painting with colour on request
- Internal anticondensate painting orange RAL-2004
- O-Ring gaskets on cover
- Glass windows on cover
- Drain and breather valves

Technical Features

CODE	A [mm]	B [mm]	C [mm]	D [mm]	E [mm]	F [mm]	Ø G [mm]	H [mm]	I [mm]	L [mm]	Ø M [mm]	Ø N [mm]	INT.PLATE X - Y [mm]	WEIGHT [Kg]	DETAIL
GUB00INX	135	135	100	92	152	105	7	113	47	111	111	-	-	7,00	B
GUB0INX	170	170	141	133	185	145	9	154	82	140	140	-	110 - 110	13,00	B
GUB1INX	200	200	160	152	216	170	9	177	98	170	170	-	150 - 150	19,00	B
GUB03INX	280	310	219	209	260	310	13	275	152	250	280	-	220 - 220	50,00	A
GUB23INX	310	270	165	157	235	350	12	224	110	290	250	-	180 - 180	32,00	B
GUB4INX	420	420	234	226	380	460	13	405	148	390	390	-	280 - 280	83,00	A
GUB5INX	600	600	320	310	550	630	13	600	203	550	550	-	490 - 490	280,00	A
GUBW1INX	200	200	160	152	216	170	9	177	98	170	170	90	150 - 150	19,00	D
GUBW03INX	280	310	219	209	260	310	13	275	152	250	280	195	220 - 220	50,00	C
GUBW23INX	310	270	165	157	235	350	12	224	110	290	250	150	180 - 180	32,00	D
GUBW4INX	420	420	234	226	380	460	13	405	148	390	390	230	280 - 280	83,00	C

Reference details



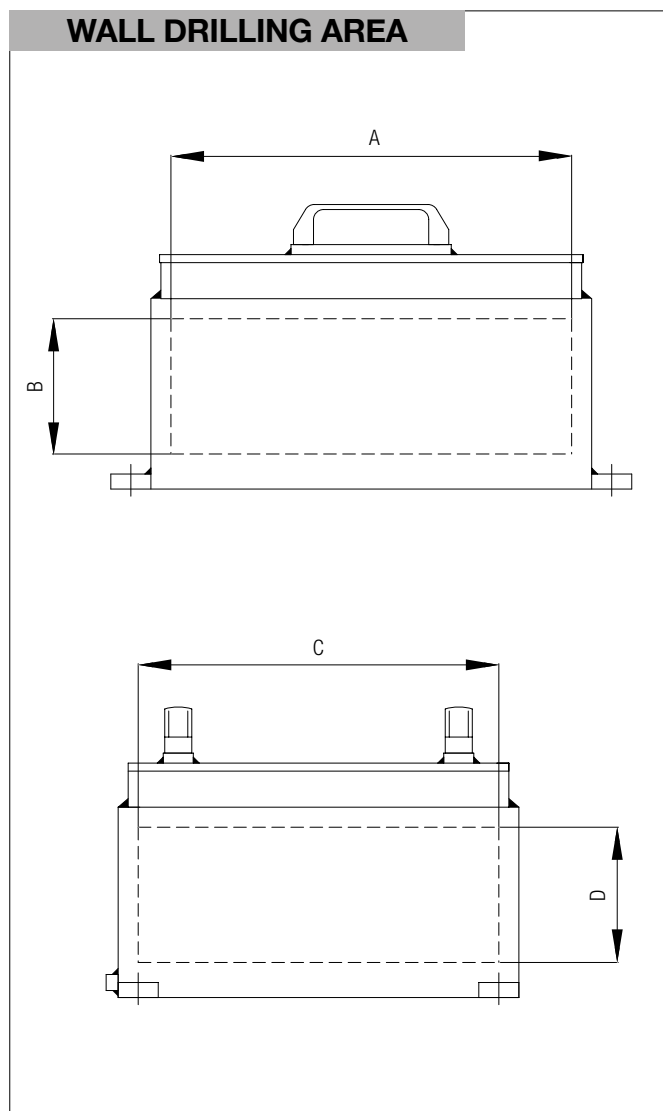


Body enclosures indicative maximum quantity of holes of the same size

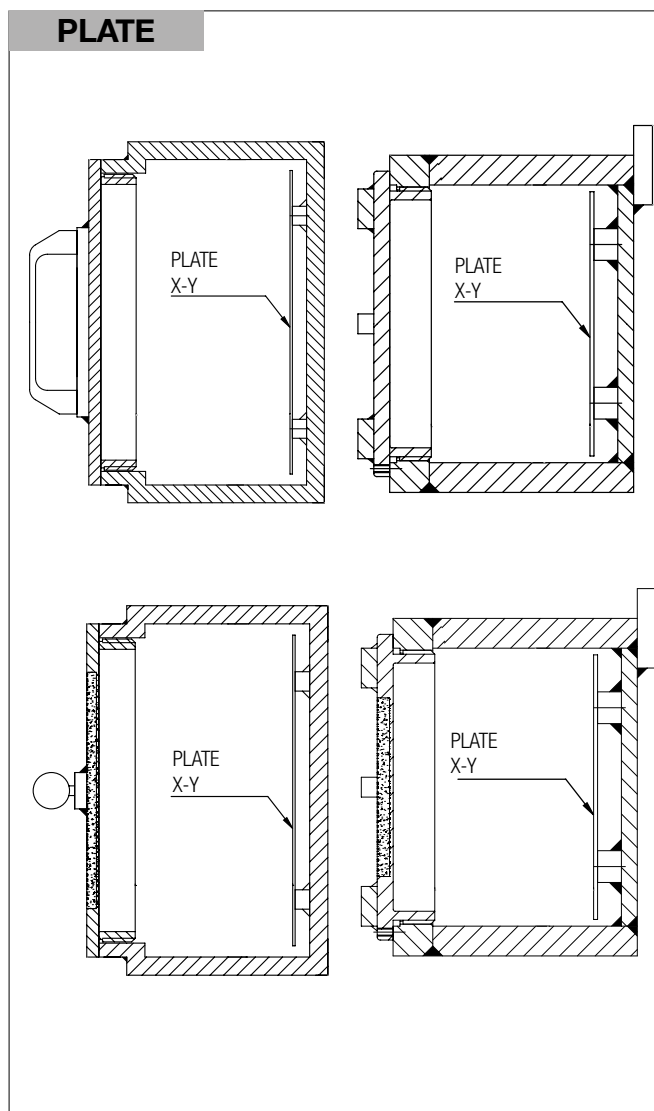
ENCLOSURE CODE	DRILLING AREA A-B							
	QUANTITY ALLOWED ENTRIES FOR size (from 1 to size 8)							
	1	2	3	4	5	6	7	8
GUB00INX	2	1	1	1	/	/	/	/
GUB0INX	6	3	2	2	1	1	1	/
GUB1INX	6	3	3	2	2	1	1	/
GUB03INX	15	11	9	8	6	4	2	2
GUB23INX	11	10	8	6	4	3	2	/
GUB4INX	23	18	14	11	10	7	4	3
GUB5INX	45	36	27	24	18	12	6	3
GUBW1INX	6	3	3	2	2	1	1	/
GUBW03INX	15	11	9	8	6	4	2	2
GUBW23INX	11	10	8	6	4	3	2	/
GUBW4INX	23	18	14	11	10	7	4	3

ENCLOSURE CODE	DRILLING AREA C-D							
	QUANTITY ALLOWED ENTRIES FOR size (from 1 to size 8)							
	1	2	3	4	5	6	7	8
GUB00INX	2	1	1	1	/	/	/	/
GUB0INX	6	3	2	2	1	1	1	/
GUB1INX	6	3	3	2	2	1	1	/
GUB03INX	12	9	8	6	6	3	2	2
GUB23INX	9	8	8	5	3	3	2	/
GUB4INX	23	18	14	11	10	7	4	3
GUB5INX	45	36	27	24	18	12	6	3
GUBW1INX	6	3	3	2	2	1	1	/
GUBW03INX	12	9	8	6	6	3	2	2
GUBW23INX	9	8	8	5	3	3	2	/
GUBW4INX	23	18	14	11	10	7	4	3

Reference details



Reference details



Indicative quantity of terminals and relevant section

CODE ENCLOSURE	SECT. 2,5 [sq/mm]	SECT. 6,0 [sq/mm]	SECT. 10,0 [sq/mm]	SECT. 16,0 [sq/mm]	SECT. 35,0 [sq/mm]	SECT. 50,0 [sq/mm]	SECT. 70,0 [sq/mm]	SECT. 240,0 [sq/mm]	INT.PLATE X - Y [mm]
GUB00INX	8x1	4x1	4x1	2x1	2x1	/	/	/	Ø90
GUB0INX	12x1	6x1	6x1	4x1	4x1	2x1	1x1	/	110 - 110
GUB1INX	20x1	10x1	10x1	6x1	6x1	4x1	2x1	1x1	150 - 150
GUB03INX	34x1	20x1	18x1	14x1	10x1	8x1	6x1	4x1	220 - 200
GUB23INX	26x1	16x1	14x1	12x1	8x1	6x1	4x1	1x1	180 - 180
GUB4INX	48x2	28x2	24x2	20x2	12x2	10x2	8x1	4x1	280 - 280
GUB5INX	64x3	40x3	36x3	30x3	11x3	16x3	16x1	6x2	490 - 490
GUBW1INX	20x1	10x1	10x1	6x1	6x1	4x1	2x1	1x1	150 - 150
GUBW03INX	34x1	20x1	18x1	14x1	10x1	8x1	6x1	4x1	220 - 200
GUBW23INX	26x1	16x1	14x1	12x1	8x1	6x1	4x1	1x1	180 - 180
GUBW4INX	48x2	28x2	24x2	20x2	12x2	10x2	8x1	4x1	280 - 280

Threads comparison table

size	EN10226-2	ISO 228-1	B1.20.1	ISO 262
0	R-Rc 1/8"	G 1/8"	1/8" NPT	M10
1	R-Rc 1/2"	G 1/2"	1/2" NPT	M20
2	R-Rc 3/4"	G 3/4"	3/4" NPT	M25
3	R-Rc 1"	G 1"	1" NPT	M32
4	R-Rc 1-1/4"	G 1-1/4"	1-1/4" NPT	M40
5	R-Rc 1-1/2"	G 1-1/2"	1-1/2" NPT	M50
6	R-Rc 2"	G 2"	2" NPT	M63
7	R-Rc 2-1/2"	G 2-1/2"	2-1/2" NPT	M75
8	R-Rc 3"	G 3"	3" NPT	M85
9	-	G 3-1/2"	3-1/2" NPT	M100
10	R-Rc 4"	G 4"	4" NPT	-

REMARK:

Due to the development of the national and international specifications and of the technology, the above technical characteristics showed on this bulletin can be considered as binding on our confirmation only.

