

Cable gland selection table

CODE (1)		ENTRY THREAD SIZE			DIA. UNDER ARMOUR		OUTER SHEATH DIA.		HEXAGON [mm]	MATERIAL					
		METRIC (2)	NPT (2)	ISO 228 (2)	min [mm]	max [mm]	min [mm]	max [mm]		(3)					
PAP# PAP-R#	00*	ISO-M16	M	3/8"NPT	N	3/8"	G	4,0	7,0	10,0	15,0	24,0	NICKEL PL.BRASS	ON	
								7,0	10,0				STAINLESS STEEL	IX	
PAP# PAP-R#	01	ISO-M20	M	1/2"NPT	N	1/2"	G	5,5	8,0	10,0	15,0	32,0	NICKEL PL.BRASS	ON	
								8,0	10,5				STAINLESS STEEL	IX	
								10,5	13,0	14,0	19,0				
PAP# PAP-R#	02	ISO-M25	M	3/4"NPT	N	3/4"	G	10,5	13,0	15,0	20,0	36,0	NICKEL PL.BRASS	ON	
								13,0	15,5				19,0	24,0	STAINLESS STEEL
								15,5	18,0						
PAP# PAP-R#	03	ISO-M32	M	1"NPT	N	1"	G	15,0	18,0	20,0	26,0	45,0	NICKEL PL.BRASS	ON	
								18,0	21,0				25,0	31,0	STAINLESS STEEL
								21,0	24,0						
PAP# PAP-R#	04	ISO-M40	M	1 1/4"NPT	N	1 1/4"	G	21,0	24,0	26,0	32,0	53,0	NICKEL PL.BRASS	ON	
								24,0	27,0				31,0	37,0	STAINLESS STEEL
								27,0	30,0	34,0	40,0				
PAP# PAP-R#	05	ISO-M50	M	1 1/2"NPT	N	1 1/2"	G	24,0	27,0	30,0	37,0	61,0	NICKEL PL.BRASS	ON	
								27,0	30,0				36,0	43,0	STAINLESS STEEL
								30,0	33,0	40,0	47,0				
								33,0	36,0						
PAP# PAP-R#	06	ISO-M63	M	2"NPT	N	2"	G	36,0	39,0	42,0	48,0	71,0	NICKEL PL.BRASS	ON	
								39,0	42,0				47,0	53,0	STAINLESS STEEL
								42,0	45,0	50,0	56,0				
								45,0	48,0			52,0	58,0	NICKEL PL.BRASS	ON
PAP# PAP-R#	07	ISO-M75	M	2 1/2"NPT	N	2 1/2"	G	48,0	51,0	58,0	64,0	84,0	NICKEL PL.BRASS	ON	
								51,0	54,0				58,0	64,0	STAINLESS STEEL
								54,0	57,0	65,0	72,0				
								57,0	60,0			71,0	78,0	NICKEL PL.BRASS	ON
PAP# PAP-R#	08	ISO-M90	M	3"NPT	N	3"	G	62,0	65,0	71,0	78,0	101,0	NICKEL PL.BRASS	ON	
								65,0	68,0				74,0	81,0	STAINLESS STEEL
								68,0	71,0	81,0	88,0				
								71,0	74,0			88,0	96,0	NICKEL PL.BRASS	ON
PAP# PAP-R#	09	ISO-M100	M	4"NPT	N	4"	G	80,0	86,0	88,0	96,0	126,0	NICKEL PL.BRASS	ON	
								86,0	92,0				96,0	104,0	STAINLESS STEEL

CABLE GLAND ORDERING EXAMPLES

PAP# 01 M ON = PAP#01MON (NON-BARRIER CABLE GLAND NICKEL PLATED BRASS ISO-M20 THR.)

PAP# 03 N IX = PAP#03NIX (NON-BARRIER CABLE GLAND STAINLESS STEEL 1"NPT THR.)

LEGEND

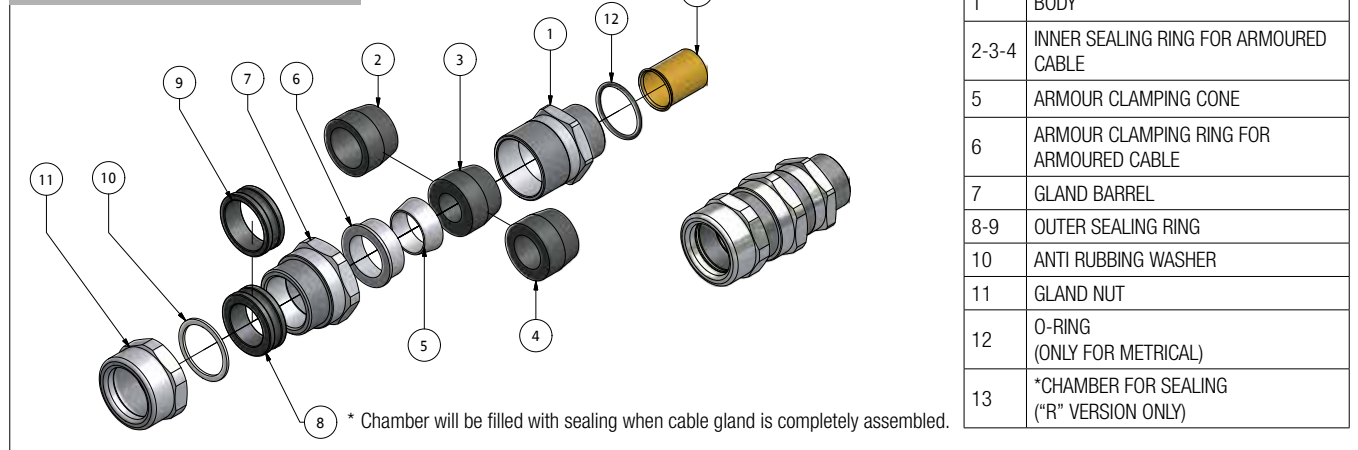
(1) CABLE GLAND TYPE/MODEL PAP# = NON-BARRIER CABLE GLAND - PAP-R# = BARRIER CABLE GLAND

(2) THREADING M = ISO METRIC pitch 1,5mm - N = NPT (ANSI/ASME B1.20.1) - G = ISO-228

(3) CABLE GLAND MATERIAL ON = NICKEL PLATED MARINE BRASS - IX = AISI-316L STAINLESS STEEL

*NOTE: 00 SIZE WITH ISO-M20 OR 1/2"NPT - 1/2"ISO-228 BODY, ON REQUEST

PAP DIMENSIONAL



REMARK: Due to the development of the national and international specifications and of the technology, the above technical characteristics showed on this bulletin can be considered as binding on our confirmation only.