

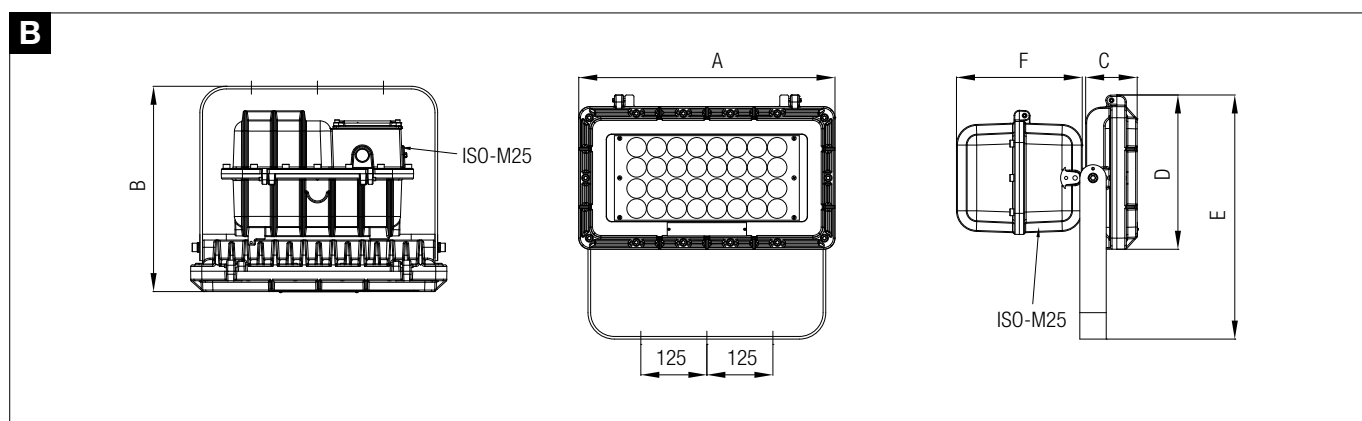
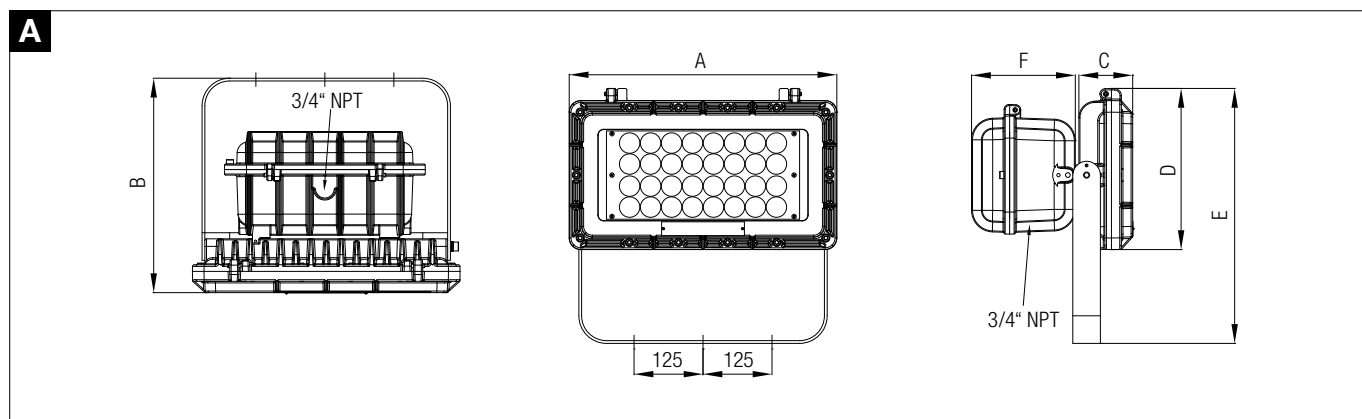
Technical data

CODE	POWER LAMP	TEMPERATURE CLASS (GAS)	TEMPERATURE CLASS (DUSTS)	NOMINAL OUTPUT (lm)	LAMP TYPE	CABLE ENTRY SIZE	DETAIL
FLOODLIGHTS FOR LED LAMP - POWER SUPPLY 120-277 Vac - 50/60 Hz							
SFD160-LED	160 W	T6 (Ta = -20°C / +40°C)	T 85°C	12705	POWER LED	2 x 3/4" NPT	A
SFDE160-LED		T5 (Ta = -20°C / +50°C)	T 100°C			2 x ISO-M25	B
SFD192-LED	192W	T4 (Ta = -20°C / +60°C)	T135°C	17680		2 x 3/4" NPT	A
SFDE192-LED		T4 (Ta = -20°C / +60°C)	T135°C			2 x ISO-M25	B
SFD224-LED	224 W	T6 (Ta = -20°C / +40°C)	T 85°C	19360		2 x 3/4" NPT	A
SFDE224-LED		T5 (Ta = -20°C / +50°C)	T 100°C			2 x ISO-M25	B

Technical features

CODE	A [mm]	B [mm]	C [mm]	D [mm]	E [mm]	F [mm]	WEIGHT [Kg]	CABLE ENTRY	DETAIL
SFD160-LED SFD192-LED SFD224-LED	485	390	100	292	462	190	25,00	2 x 3/4" NPT	A
SFDE160-LED SFDE192-LED SFDE224-LED	485	390	100	292	462	240	26,00	2 x ISO-M25	B

Reference details



REMARK:

Due to the development of the national and international specifications and of the technology, the above technical characteristics showed on this bulletin can be considered as binding on our confirmation only.