

Installation: Safe Area
Insulation Class: I


REFERENCE STANDARDS

	CEI / EN
EXECUTION	INDUSTRIAL WEATHERPROOF
RULES OF COMPLIANCE	EN 60598-1 + A1; EN 60598-2-1
EC Type-Examination Certificate	-
PROTECTION DEGREE	IP66
AMBIENT TEMPERATURE	-20°C ÷ +60°C

Mechanical characteristics

Body	marine grade copper free aluminum
Diffuser	tempered front glass
Support	steel bracket with rotation-proof system
Reflector	anodized and polished 99,85 pure aluminum internal optic
Painting	thermosetting polyester powder resistant to atmospheric agents and corrosion grey RAL 9006 colour
Screws	stainless steel
Gaskets	pure silicon heat resistance
Cable entry	ISO-METRIC complete with cable gland
Internal optic	(S) symmetric optic - (A) asymmetric optic (C) concentrating beam optic


Electrical characteristics

Power supply	conventional ballast 230V - 50Hz (P.F. CORRECTED - $\cos \rho \geq 0,95$)
Lampholders	porcellain E40 size
Internal wiring	high-temperature resistant silicon rubber insulation cables
Terminals	suitable up to 4sq/mm cables

On Request Accessories:

- Control gear with voltage supply different than standard
- Internal optical code (S – A – C), has to be added to the floodlight code

Technical data

CODE	LAMP	TEMPERATURE CLASS (GAS)	TEMPERATURE CLASS (DUSTS)	LAMPHOLDER SIZE	CABLE ENTRY WITH CABLE GLAND	DETAIL
------	------	-------------------------	---------------------------	-----------------	------------------------------	--------

FLOODLIGHT FOR HIGH PRESSURE MERCURY VAPOUR LAMP - POWER SUPPLY 230V 50Hz

SFDA#250HG	250 W	-	-	E-40	1 x ISO-M20	A
SFDA#400HG	400 W					

Note: Available with symmetric optical only

FLOODLIGHT FOR METAL HALIDE LAMP - POWER SUPPLY 230V 50Hz

SFDA#150MH-*	150 W	-	-	E-40	1 x ISO-M20	A
SFDA#250MH-*	250 W					
SFDA#400MH-*	400 W					

FLOODLIGHT FOR HIGH PRESSURE SODIUM LAMP - POWER SUPPLY 230V 50Hz

SFDA#150HPNA-*	150 W	-	-	E-40	1 x ISO-M20	A
SFDA#250HPNA-*	250 W					
SFDA#400HPNA-*	400 W					

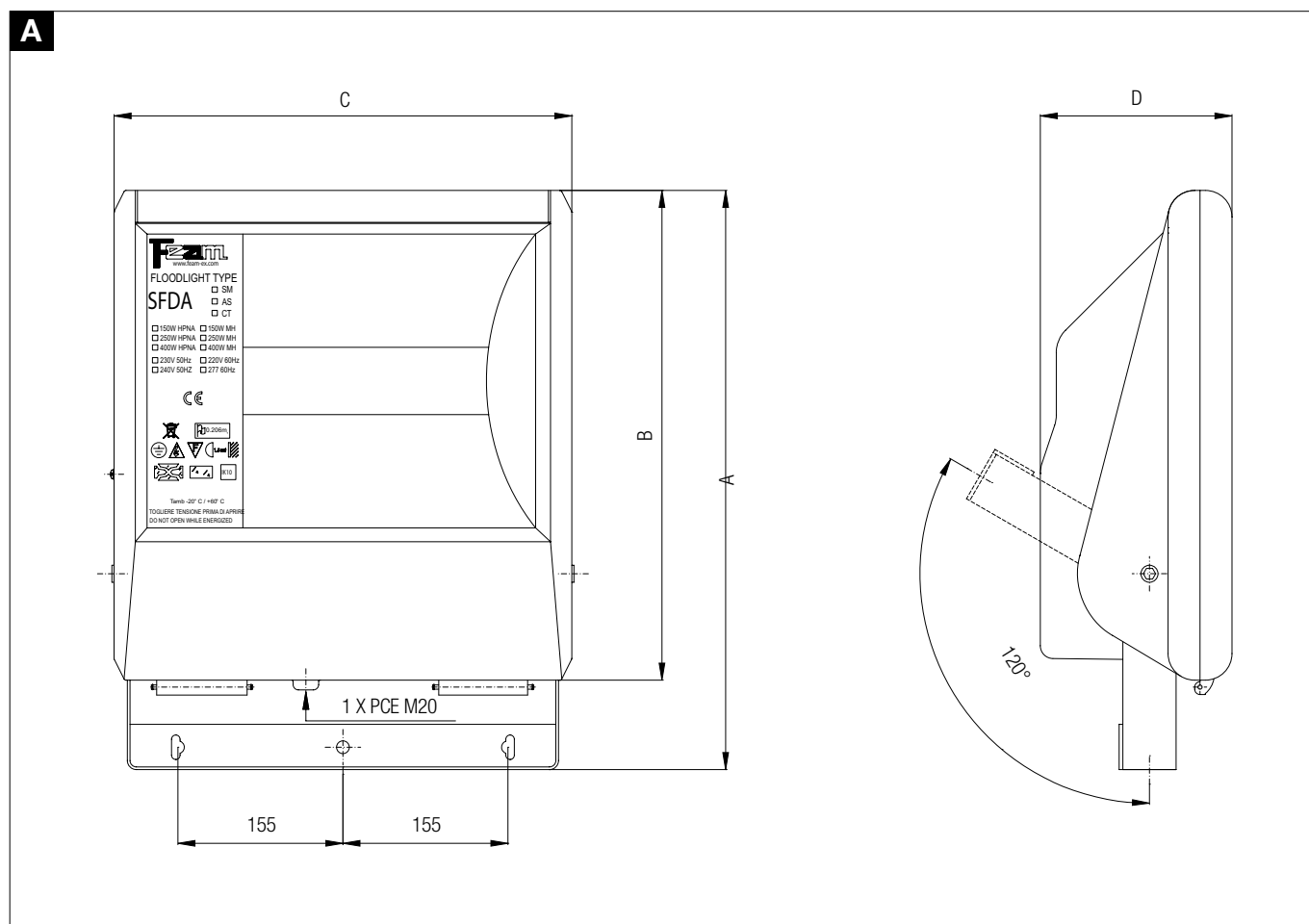
(*) INTERNAL OPTICAL BEAM: (S) SYMMETRIC BEAM - (A) ASYMMETRIC BEAM - (C) CONCENTRATING BEAM

SAMPLE: SFDA#400MH-S = FLOODLIGHT 400W METAL HALIDE WITH SYMMETRIC OPTICAL BEAM

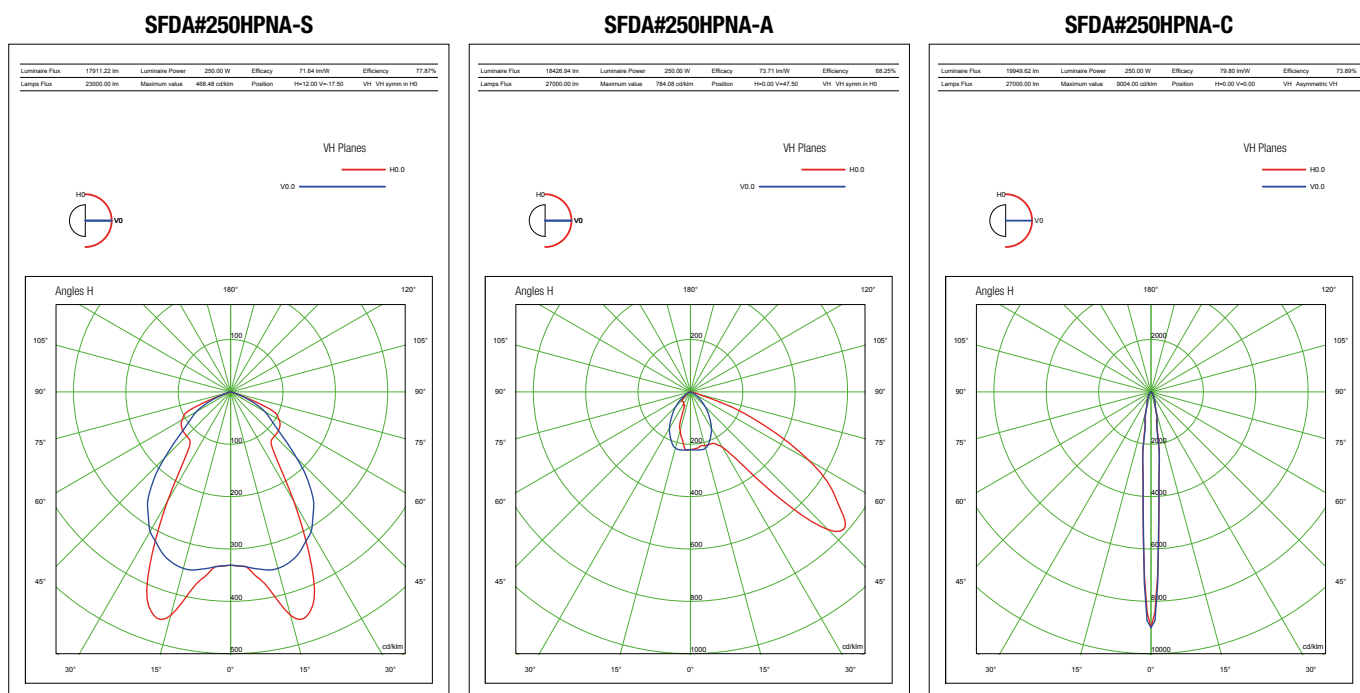
Technical features

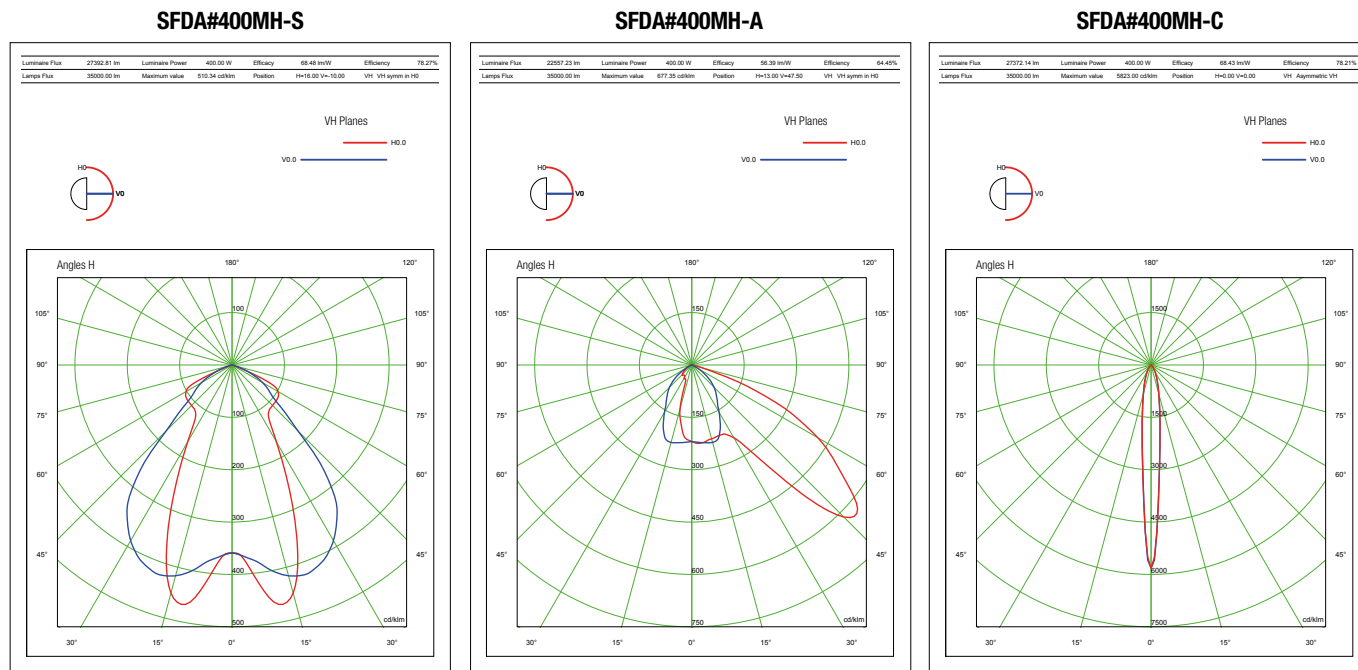
CODE	A [mm]	B [mm]	C [mm]	D [mm]	WEIGHT [Kg]	CABLE ENTRY	DETAIL
SFDA#250HG	544	461	430	180	8,80	1 x ISO-M20	A
SFDA#400HG	544	461	430	180	9,10	1 x ISO-M20	A
SFDA#150MH	544	461	430	180	9,50	1 x ISO-M20	A
SFDA#250MH	544	461	430	180	9,70	1 x ISO-M20	A
SFDA#400MH	544	461	430	180	11,00	1 x ISO-M20	A
SFDA#150HPNA	544	461	430	180	10,50	1 x ISO-M20	A
SFDA#250HPNA	544	461	430	180	11,10	1 x ISO-M20	A
SFDA#400HPNA	544	461	430	180	12,30	1 x ISO-M20	A

Reference details



SFDA Polar diagrams - photometric data



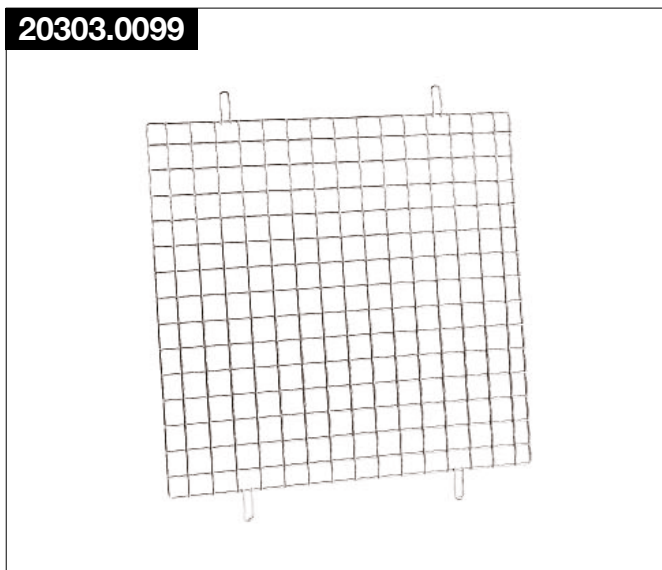


On request accessories

CODE	DESCRIPTION	MATERIAL
20303.0099	PROTECTION GRID	ALUMINIUM
20303.0100	POLE ADAPTER FOR DIA 40÷60MM	PAINTED STEEL

Protection grid

20303.0099



Pole adapter

20303.0100



REMARK:

Due to the development of the national and international specifications and of the technology, the above technical characteristics showed on this bulletin can be considered as binding on our confirmation only.