



**Installation:** hazardous areas - Zone 1 / 2 (Gases) - Zone 21 / 22 (Dusts)

**Classification:** Group II - Category 2G 2D



**REFERENCE STANDARDS**

**Directive 2014/34/EU**

EXECUTION	⊗ II 2 G Ex eq II T3 ⊗ II 2 D Ex tD A21 T200°C
RULES OF COMPLIANCE	EN 60079-0; EN 60079-5; EN 60079-7; EN 61241-0; EN 61241-1
EC Type-Examination Certificate	IMQ 09 ATEX 014X
PROTECTION DEGREE	IP66
AMBIENT TEMPERATURE	-40°C ÷ +60°C
OTHER AVAILABLE CERTIFICATES	EAC: TC RU C-IT.BH02.B.00602 RUSSIAN MARINE CERTIFICATE (RMRS): 13.03516.315

**Mechanical characteristics**

Body	marine grade copper free aluminum
Diffuser	tempered front glass
Support	steel bracket with rotation-proof system
Reflector	anodized and polished 99,85 pure aluminum internal optic
Painting	thermosetting polyester powder resistant to atmospheric agents and corrosion grey RAL 9006 colour
Screws	stainless steel
Gaskets	pure silicon heat resistance
Cable entry	ISO-METRIC complete with plastic cable gland

**Electrical characteristics**

Power supply	120 ÷ 277V AC 50/60Hz 55W - 85W - 165W
Lamp	long life induction lamp (60.000 hours)
Terminals	suitable up to 4 sq/mm cables



**On Request Accessories:**

- Power supply 90 ÷ 120V AC/DC (55/85W only)

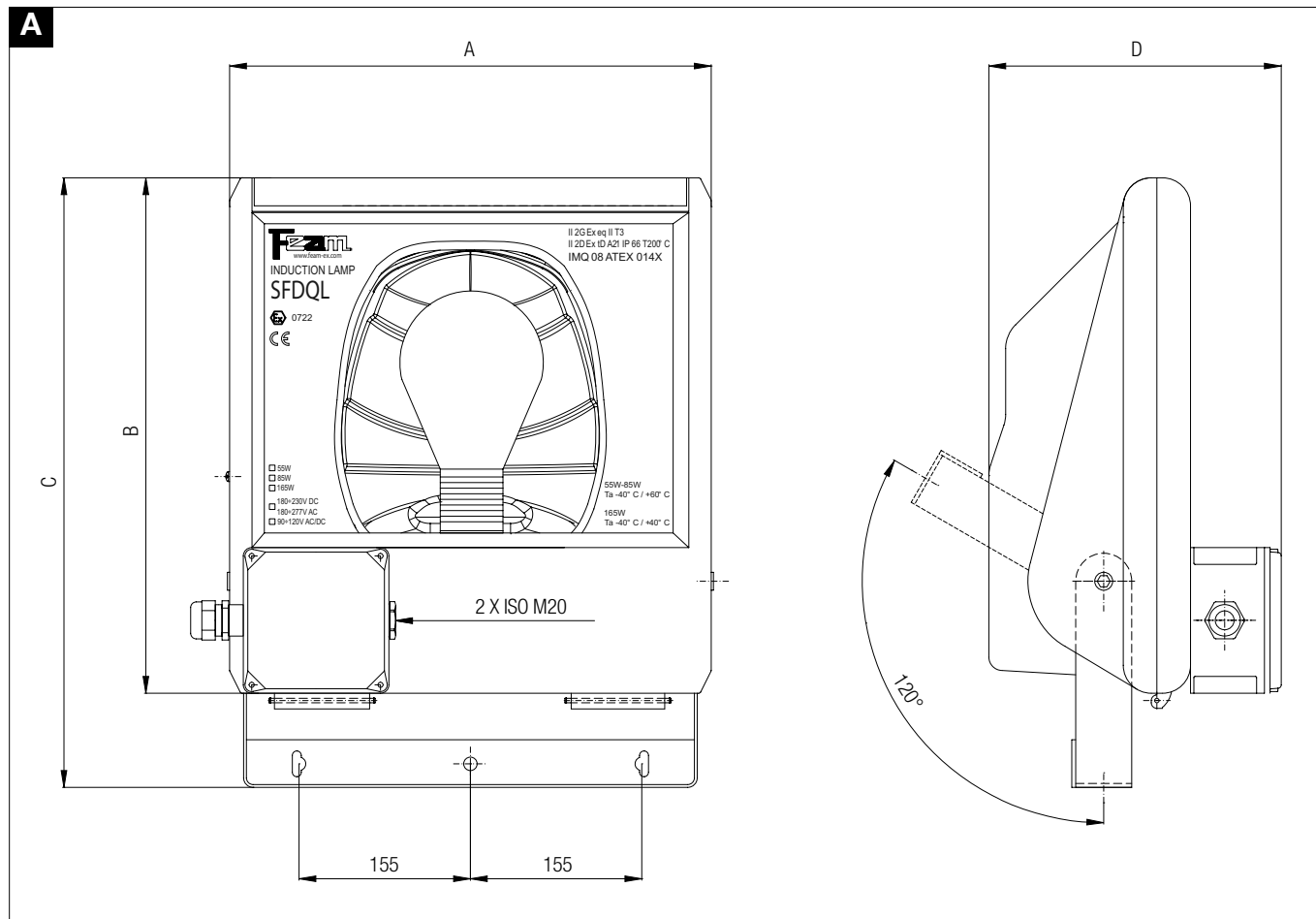
**Technical data**

CODE	LAMP	TEMPERATURE CLASS (GAS)	TEMPERATURE CLASS (DUSTS)	CABLE ENTRY SIZE	DETAIL
<b>FLOODLIGHT FOR INDUCTION LAMP - POWER SUPPLY 120 ÷ 277V AC 50/60Hz 55W - 85W - 165W</b>					
SFDQL-55JB	55W	T3 (Ta -40°C ÷ +60°C)	T 200°C	2 x ISO M20	A
SFDQL-85JB	85W			2 x ISO M20	A
SFDQL-55	55W			1 x ISO M20	B
SFDQL-85	85W			1 x ISO M20	B
<b>FLOODLIGHT FOR INDUCTION LAMP - POWER SUPPLY 120 ÷ 277V AC 50/60Hz 55W - 85W - 165W</b>					
SFDQL-165JB	165W	T3 (Ta -40°C ÷ +40°C)	T 200°C	2 x ISO M20	A
SFDQL-165	165W			1 x ISO M20	B

**Technical features**

CODE	A [mm]	B [mm]	C [mm]	D [mm]	WIGHT [Kg]	CABLE ENTRY	DETAIL
SFDQL-55JB	430	460	545	260	8,5	2 x ISO M20	A
SFDQL-85JB	430	460	545	260	8,7	2 x ISO M20	A
SFDQL-165JB	430	460	545	260	9,5	2 x ISO M20	A
SFDQL-55	430	460	545	180	8	1 x PCE M20	B
SFDQL-85	430	460	545	180	8,2	1 x PCE M20	B
SFDQL-165	430	460	545	180	9	1 x PCE M20	B

**Reference details**

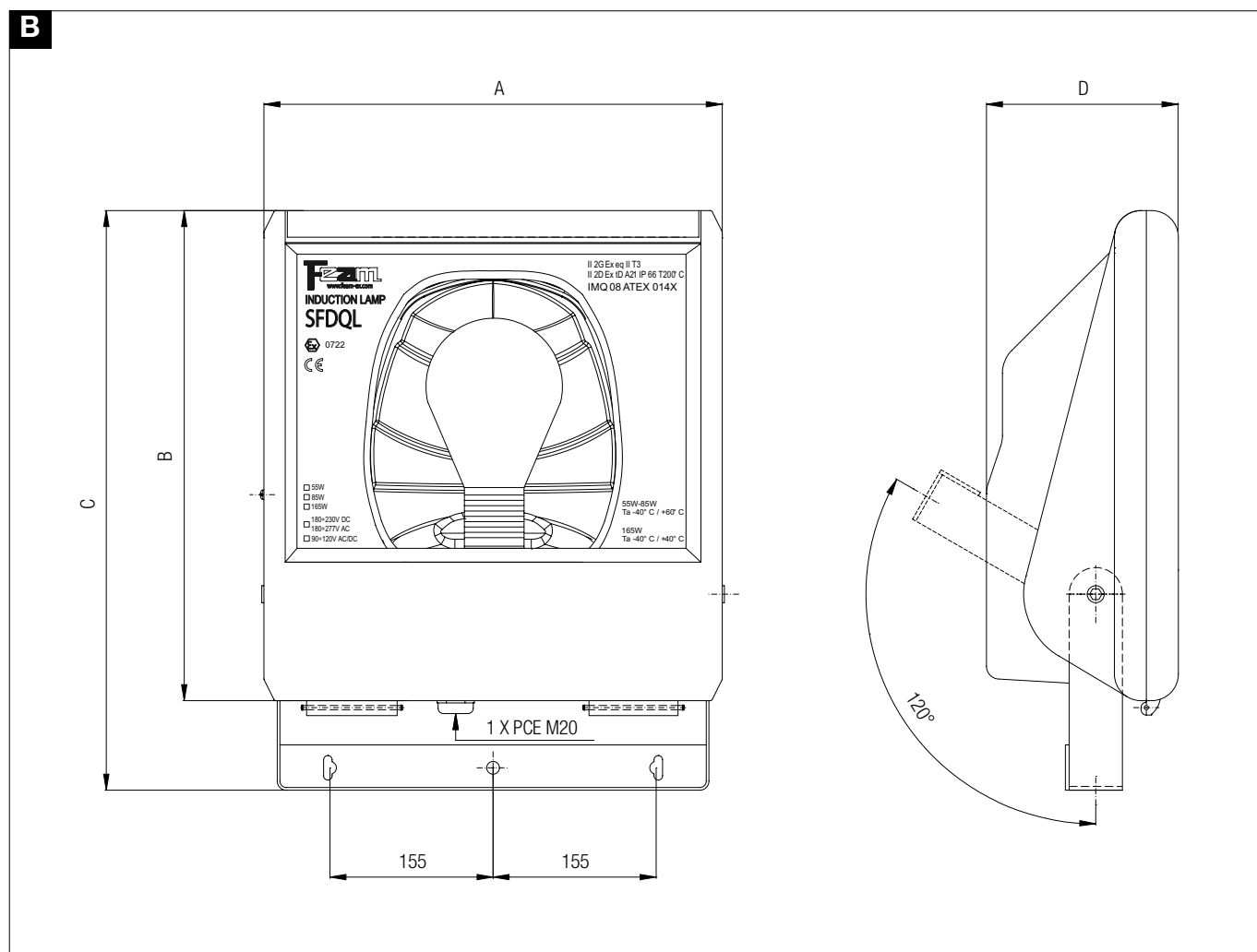


SFDQL

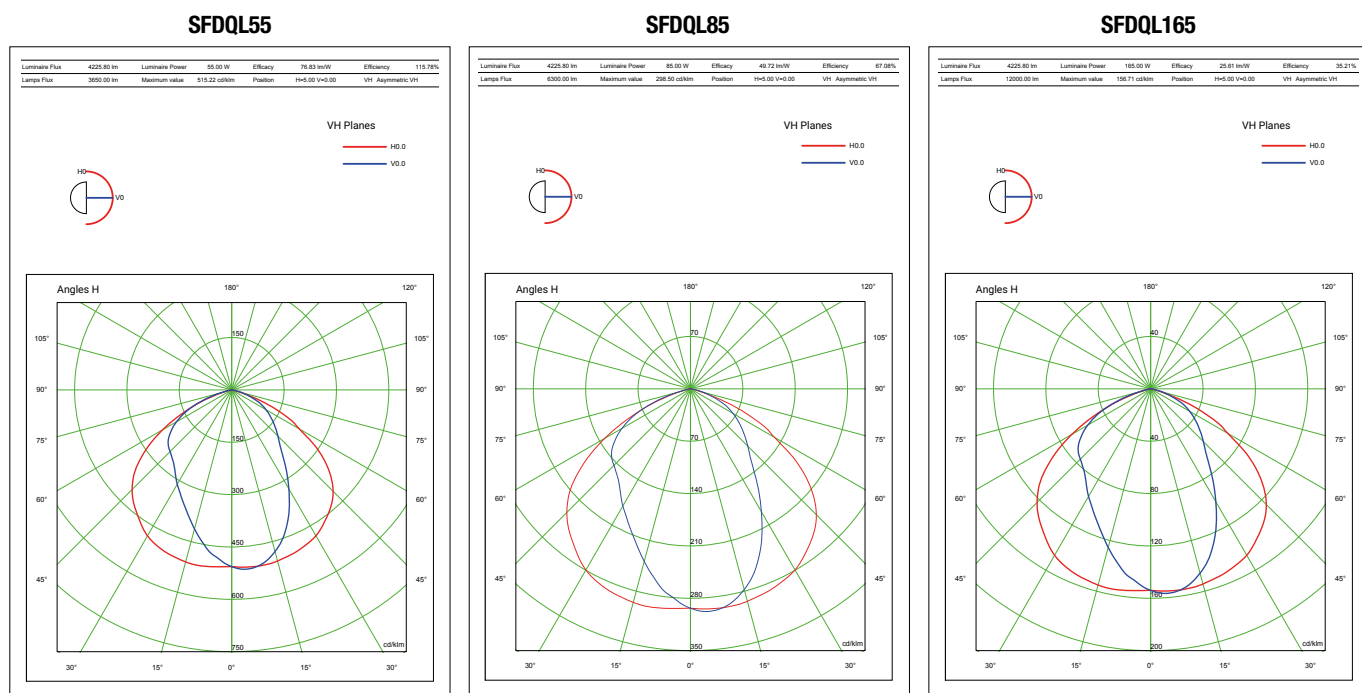
1



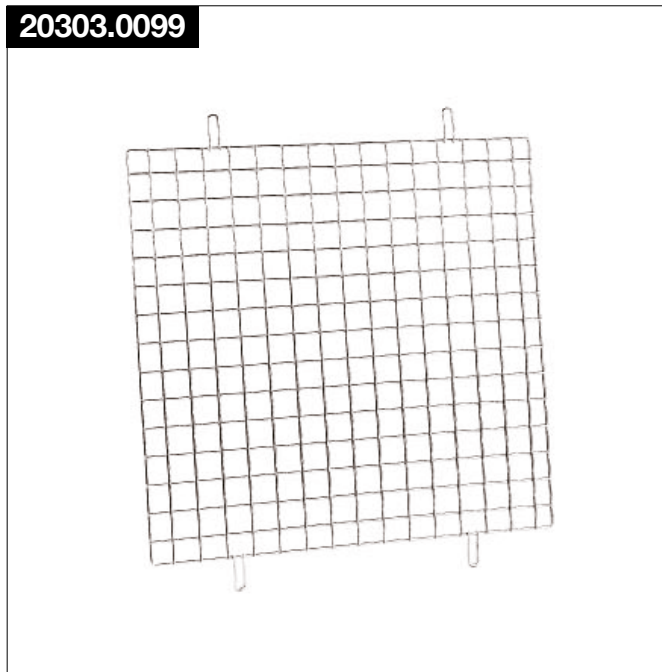
Reference details



SFDQL Polar diagrams – photometric data



CODE	DESCRIPTION	MATERIAL
20303.0099	PROTECTION GRID	ALUMINUM
20303.0100	POLE ADAPTER - DIA. 40÷60mm	PAINTED STEEL

**Protection grid****20303.0099****Pole adapter****20303.0100**

## REMARK:

Due to the development of the national and international specifications and of the technology, the above technical characteristics showed on this bulletin can be considered as binding on our confirmation only.