



**Installation:** hazardous areas - Zone 1 / 2 (Gases) - Zone 21 / 22 (Dusts)  
**Classification:** Group II - Category 2G 2D



**Mechanical characteristics**

**LOCKNUTS**

Material	nickel plated brass
Finishes	full nickel plating treatment (brass material only)

**SHROUDS**

Material	PVC*
----------	------

\*EPDM rubber on request

**GASKETS**

Material	nylon 6.0
----------	-----------

**EARTH TAGS**

Material	stainless steel (for stainless cable glands)
	nickel plated brass (for nickel plated brass cable glands)

**Applications**

Locknuts	Are preferred items used in securing cable glands to the gland plate especially to plastic junction boxes
Shrouds	For all type of glands application where additional protection is required
Epoxy compound kit	Is provided for submission of barrier cable glands type P.-R Kit composed of: - Component A (dark grey) - Component B (white) - Nitrile gloves
Gaskets	Are used to maintain the ip rating across the interface between the equipment and relevant cable gland
Earth tags	Are used to ensure earth continuity and grounding of cable armour

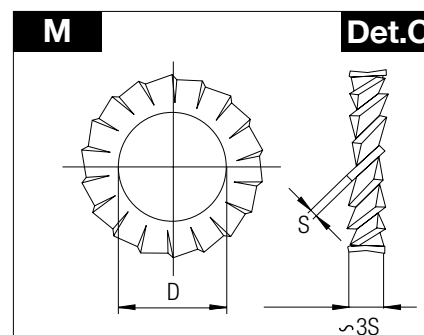
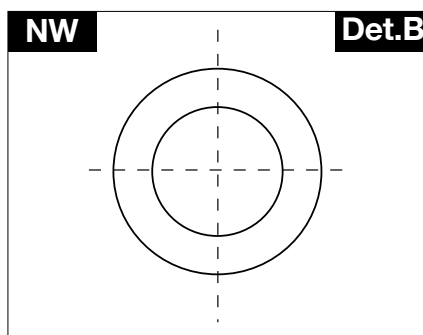
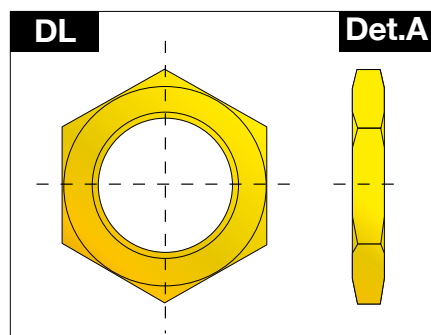


**Technical Features**

LOCKNUTS			
DETAIL A	THREADS / SIZE		
TYPE	NPT	UNI-228	ISO
DL0	3/8"	3/8"	M16
DL1	1/2"	1/2"	M20
DL2	3/4"	3/4"	M25
DL3	1"	1"	M32
DL4	1-1/4"	1-1/4"	M40
DL5	1-1/2"	1-1/2"	M50
DL6	2"	2"	M63
DL7	2-1/2"	2-1/2"	M75
DL8	3"	3"	M90
DL9	4"	4"	M100

GASKETS			
DETAIL B	THREADS / SIZE		
TYPE	NPT	UNI-228	ISO
NW0	3/8"	3/8"	M16
NW1	1/2"	1/2"	M20
NW2	3/4"	3/4"	M25
NW3	1"	1"	M32
NW4	1-1/4"	1-1/4"	M40
NW5	1-1/2"	1-1/2"	M50
NW6	2"	2"	M63
NW7	2-1/2"	2-1/2"	M75
NW8	3"	3"	M90
NW9	4"	4"	M100

WASHERS		
TYPE	ØD [mm]	DETAIL
M20	20	C
M25	25	C
M32	32	C
M40	40	C
M50	50	C
M63	63	C

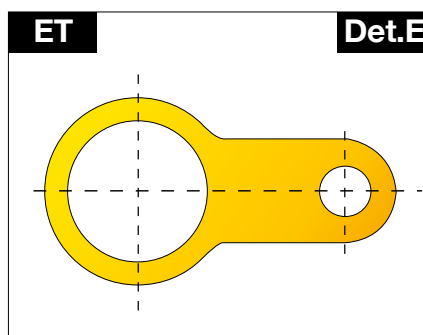
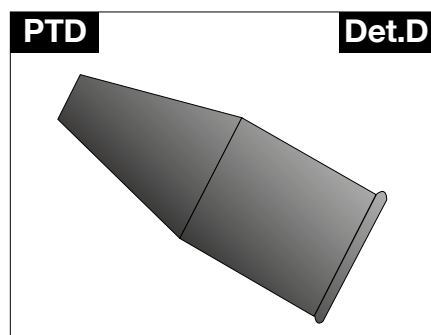


SHROUDS*			
DETAIL D	THREADS / SIZE		
TYPE	NPT	UNI-228	ISO
PTD0	3/8"	3/8"	M16
PTD1	1/2"	1/2"	M20
PTD2	3/4"	3/4"	M25
PTD3	1"	1"	M32
PTD4	1-1/4"	1-1/4"	M40
PTD5	1-1/2"	1-1/2"	M50
PTD6	2"	2"	M63
PTD7	2-1/2"	2-1/2"	M75
PTD8	3"	3"	M90
PTD9	4"	4"	M100

EARTHS TAGS			
DETAIL E	THREADS / SIZEE		
TYPE	NPT	UNI-228	ISO
ET0	3/8"	3/8"	M16
ET1	1/2"	1/2"	M20
ET2	3/4"	3/4"	M25
ET3	1"	1"	M32
ET4	1-1/4"	1-1/4"	M40
ET5	1-1/2"	1-1/2"	M50
ET6	2"	2"	M63
ET7	2-1/2"	2-1/2"	M75
ET8	3"	3"	M90
ET9	4"	4"	M100

TWO-COMPONENT EPOXY PASTE	
SIZE / CODE	Q.TY COMPOUND [gr]
0 / INN-FS0904-1	6
1 / INN-FS0904-1	6
2 / INN-FS0904-2	12
3 / INN-FS0904-3	24
4 / INN-FS0904-5	56
5 / INN-FS0904-5	56
6 / INN-FS0904-6	88
7 / INN-FS0904-7	200
8 / INN-FS0904-8	288

\* Blue colour on request.



**REMARK:**

Due to the development of the national and international specifications and of the technology, the above technical characteristics showed on this bulletin can be considered as binding on our confirmation only.