



Installation: hazardous areas - Zone 2 (Gases) - Zone 22 (Dusts)
Classification: Group II - Category 3G 3D



REFERENCE STANDARDS

Directive 2014/34/EU	
EXECUTION	⊗ II 3 G Ex nR IIC T3/T4 Gc ⊗ II 3 D Ex tc IIIC T200°C/T135°C Dc
RULES OF COMPLIANCE	EN/IEC 60079-0; EN/IEC 60079-15; EN/IEC 60079-31
EC Type-Examination Certificate	IMQ 10 ATEX 032X
PROTECTION DEGREE	IP66
AMBIENT TEMPERATURE	-40°C ÷ +60°C
OTHER AVAILABLE CERTIFICATES	RUSSIAN MARINE CERTIFICATE (RMRS): 19.02519.280 INMETRO: CEPEL 14.2313X

Mechanical characteristics

Body	marine grade copper free aluminium (control gear & lamp body)
Globe	high-temperature resistant borosilicate glass
Painting	external epoxy powders grey RAL-9006 colour
Screws	external stainless steel
Gaskets	silicon rubber

Electrical characteristics

Power supply	conventional ballast 230v - 50hz (p.f.corrected - cos p ≥ 0,95)
Lampholders	porcelain E27/E40 size
Internal wiring	high-temperature resistant silicon rubber insulation cables
Terminals	suitable up to 4 sq/mm cables



On Request Accessories:

- Ceiling mounting kit complete with stainless steel hardware
- Pendant mounting kit complete with stainless steel hardware
- Pole mounting 25° kit 1 1/2" dia. complete with stainless steel hardware
- Wall/Structure mounting kit complete with stainless steel hardware
- Galvanized steel wire protection guard
- Stainless steel wire protection guard
- White stove enamelled aluminium reflectors
- White stove enamelled aluminium reflectors inclined 30°
- Stainless steel AISI 316L reflectors
- External painting colour on request
- Control gear with voltage supply different than standard
- Threaded cable entry different than standard

Technical data

CODE	TYPE LAMP	TEMPERATURE CLASS (GAS)	TEMPERATURE CLASS (DUSTS)	LAMPHOLDER SIZE	DETAIL
LIGHTING FIXTURE FOR HIGH PRESSURE MERCURY VAPOUR LAMP - POWER SUPPLY 230V 50Hz					
EWN2-80HG	80 W	T4	T 135°C	E-27	A
EWN2-125HG	125 W	T3	T 200°C	E-27	A
EWN3-250HG	250W	T4	T 135°C	E-40	A
EWN5-400HG	400 W	T3	T 200°C	E-40	A

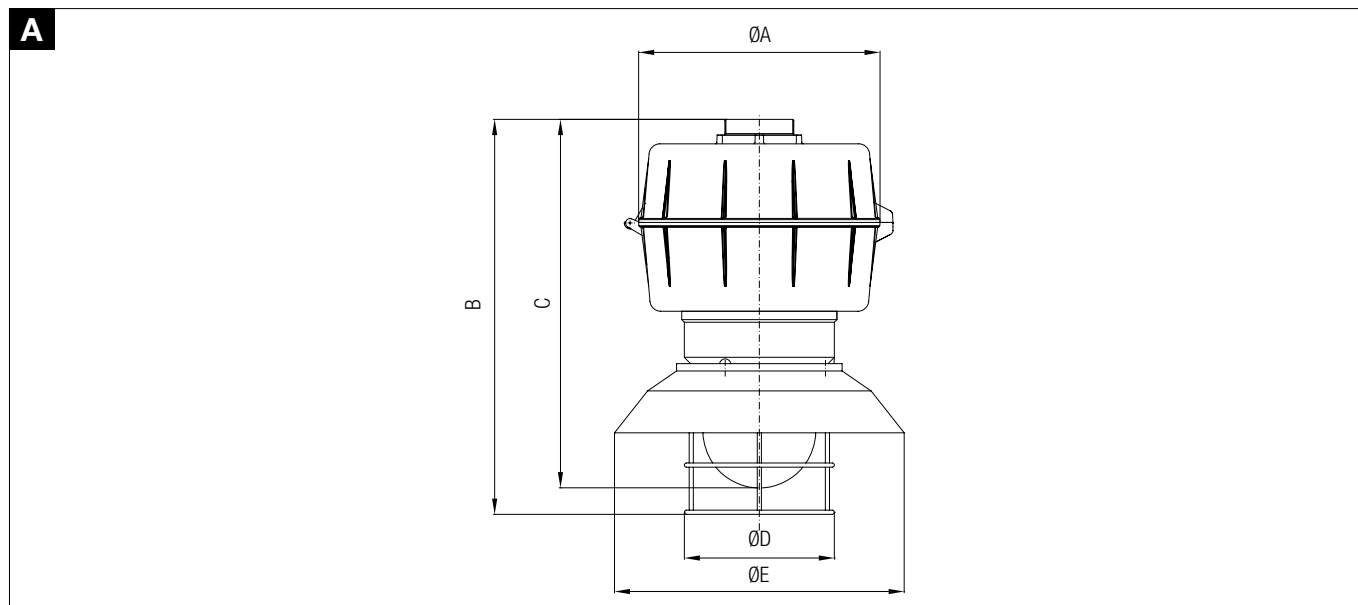
LIGHTING FIXTURE FOR METAL HALIDE LAMP - POWER SUPPLY 230V 50Hz					
EWN2-70MH	70 W	T4	T 135°C	E-27	A
EWN2-100MH	100 W	T4	T 135°C	E-27	A
EWN2-150MH	150 W	T3	T 200°C	E-27	A
EWN3-175MH	175 W	T3	T 200°C	E-40	A
EWN3-250MH	250 W	T3	T 200°C	E-40	A
EWN5-400MH	400 W	T3	T 200°C	E-40	A

LIGHTING FIXTURE FOR HIGH PRESSURE SODIUM LAMP - POWER SUPPLY 230V 50Hz					
EWN2-70HPS	70 W	T4	T 135°C	E-27	A
EWN3-100HPS	100 W	T4	T 135°C	E-40	A
EWN3-150HPS	150 W	T3	T 200°C	E-40	A
EWN3-250HPS	250 W	T3	T 200°C	E-40	A
EWN5-400HPS	400 W	T3	T 200°C	E-40	A

Technical features

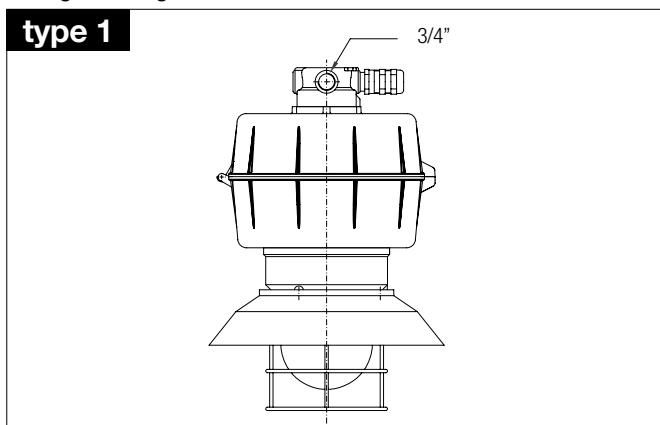
CODE	A [mm]	B [mm]	C [mm]	Ø D [mm]	Ø E [mm]	WEIGHT [Kg]	DETAIL
EWN2	280	430	415	145	280	8,5	A
EWN3	280	510	480	190	402	9,5	A
EWN5	280	570	545	255	515	10	A

Reference details



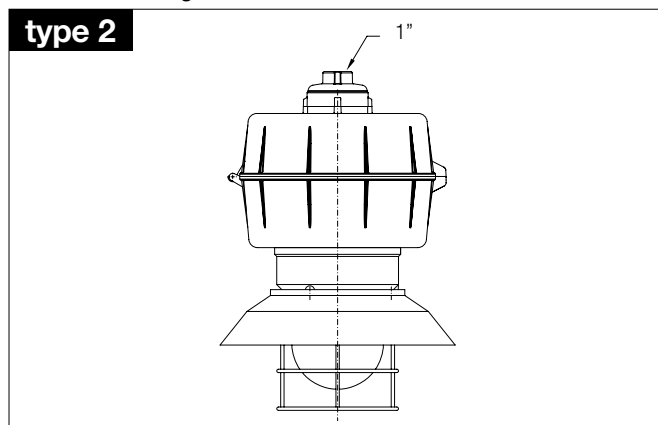
Ceiling mounting

type 1



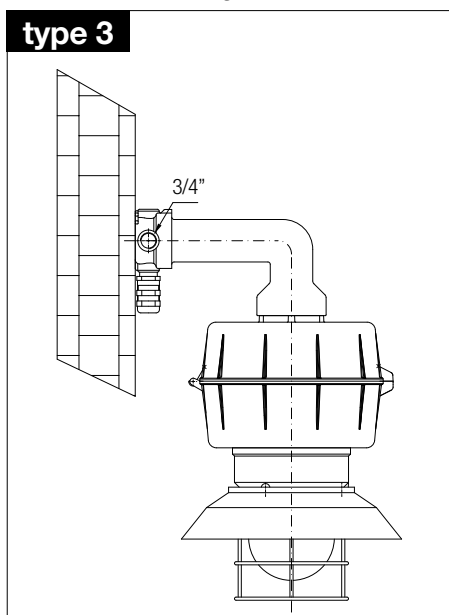
Pendant mounting

type 2



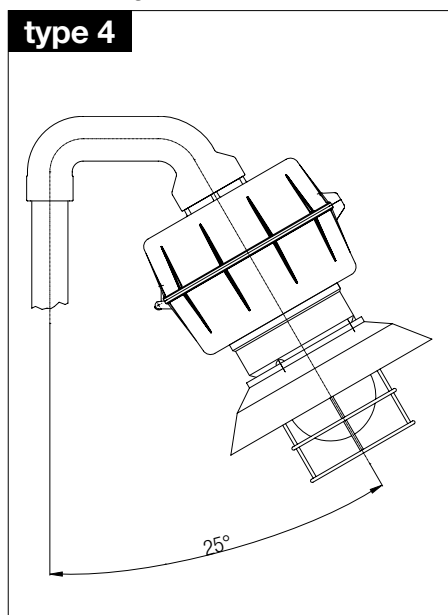
Wall/structure mounting

type 3



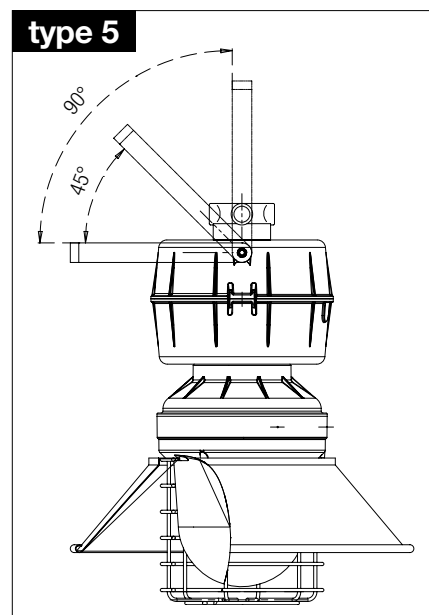
Pole mounting 25°

type 4



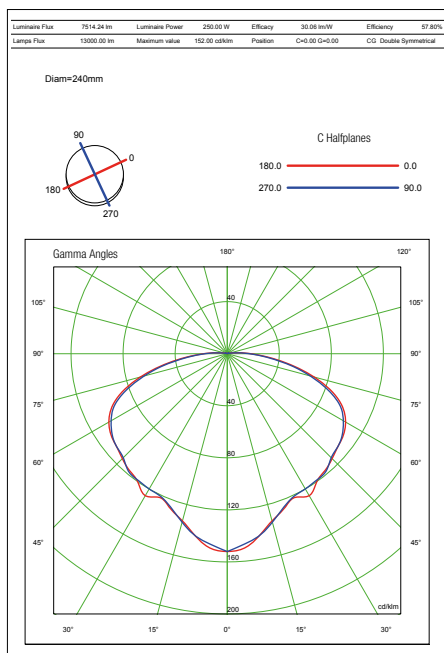
Universal mounting inst. with adjustable bracket

type 5

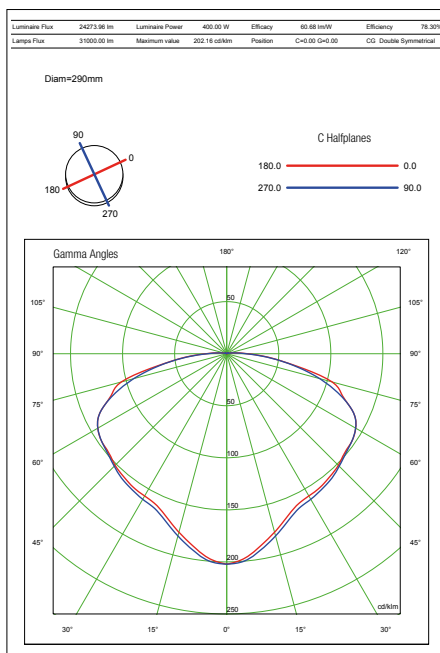


EWN Polar diagrams - photometric data

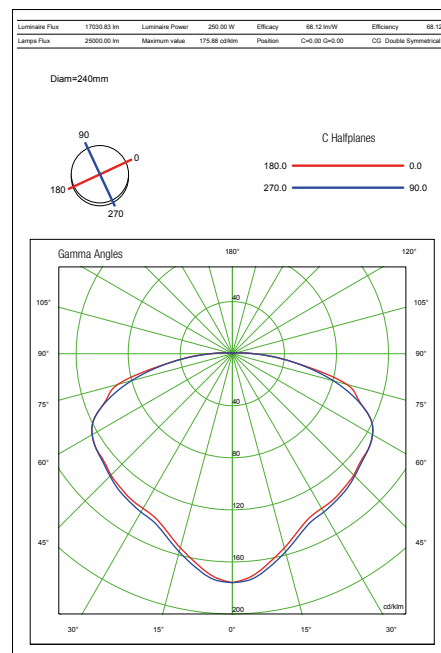
EWN3-250HG



EWN5-400MH



EWN3-250HPS



On request accessories

CODE	DESCRIPTION	INSTALLATION	MATERIAL
REFL#AL02R140A	EVAC 200 / 201 SIZE STANDARD REFLECTOR		WHITE STOVE ENAMELLED ALUM.
REFL#AL03R140A	EVAC 300 / 301 SIZE STANDARD REFLECTOR		WHITE STOVE ENAMELLED ALUM.
REFL#AL04R140A	EVAC 500 / 501 SIZE STANDARD REFLECTOR		WHITE STOVE ENAMELLED ALUM.
REFL#XX02R1400	EVAC 200 / 201 SIZE STAINLESS STEEL REFLECTOR		STAINLESS STEEL AISI 316L
REFL#XX03R1400	EVAC 300 / 301 SIZE STAINLESS STEEL REFLECTOR		STAINLESS STEEL AISI 316L
REFL#XX04R1400	EVAC 500 / 501 SIZE STAINLESS STEEL REFLECTOR		STAINLESS STEEL AISI 316L
REFL#AL02R1430	EVAC 200 / 201 SIZE STANDARD REFLECTOR INCLINED 30°		WHITE STOVE ENAMELLED ALUM.
REFL#AL03R1430	EVAC 300 / 301 SIZE STANDARD REFLECTOR INCLINED 30°		WHITE STOVE ENAMELLED ALUM.
REFL#AL04R1430	EVAC 500 / 501 SIZE STANDARD REFLECTOR INCLINED 30°		WHITE STOVE ENAMELLED ALUM.
GUARD#AZ02	EVAC 200 / 201 SIZE STANDARD PROTECTION GUARD		GALVANIZED STEEL
GUARD#AZ03	EVAC 300 / 301 SIZE STANDARD PROTECTION GUARD		GALVANIZED STEEL
GUARD#AZ04	EVAC 500 / 501 SIZE STANDARD PROTECTION GUARD		GALVANIZED STEEL
GUARD#X402	EVAC 200 / 201 SIZE STAINLESS STEEL PROTECTION GUARD		STAINLESS STEEL AISI 316L
GUARD#X403	EVAC 300 / 301 SIZE STAINLESS STEEL PROTECTION GUARD		STAINLESS STEEL AISI 316L
GUARD#X404	EVAC 500 / 501 SIZE STAINLESS STEEL PROTECTION GUARD		STAINLESS STEEL AISI 316L
20303.0102	CEILING MOUNTING KIT C/W HARDWARE	TYPE 1	ALUMINIUM
20303.0103	PENDANT MOUNTING KIT	TYPE 2	ALUMINIUM
20303.0104	WALL / STRUCTURE MOUNTING KIT	TYPE 3	ALUMINIUM
20303.0108	2" DIA.SIZE POLE MONTING KIT C/W HARDWARE	TYPE 4	ALUMINIUM
20303.0107	1-1/2" DIA.SIZE POLE MONTING KIT C/W HARDWARE	TYPE 4	ALUMINIUM
20303.0106	1" DIA.SIZE POLE MONTING KIT C/W HARDWARE	TYPE 4	ALUMINIUM
20303.0105	UNIVERSAL MOUNTING INST. WITH ADJUSTABLE BRACKET C/W HARDWARE	TYPE 5	STAINLESS STEEL AISI 316L

REMARK:

Due to the development of the national and international specifications and of the technology, the above technical characteristics showed on this bulletin can be considered as binding on our confirmation only.