



**Installation:** hazardous areas - Zone 1 / 2 (Gases) - Zone 21 / 22 (Dusts)  
**Classification:** Group II - Category 2G 2D



**REFERENCE STANDARDS**

**Directive 2014/34/EU**

EXECUTION	☉ II 2 G Ex db IIC T6...T3 Gb ☉ II 2 G Ex eb IIC T5...T3 Gb ☉ II 2 D Ex tb IIIC T85°C...T200°C Db
RULES OF COMPLIANCE	EN/IEC 60079-0; EN/IEC 60079-1; EN/IEC 60079-7; EN/IEC 60079-31
EC Type-Examination Certificate	INERIS 03 ATEX 0048X
PROTECTION DEGREE	IP66
AMBIENT TEMPERATURE	-60°C ÷ +130°C
OTHER AVAILABLE CERTIFICATES	Component: INERIS 10 ATEX 9005U IECEx: IECEx INE 12.0021X Component: IECEx INE 12.0023U INMETRO: CEPEL 12.2193X Component INMETRO: CEPEL 12.2191U EAC: TC RU C-IT.Г502.B.00689/18 RUSSIAN MARINE CERTIFICATE (RMRS): 19.02521.280 UL NEC-505: 20131030-E365676 (GUA / GUAY Series)

**Mechanical characteristics**

Body	marine grade copper free aluminum - stainless steel AISI316L (size 17/27/37 only)
Cover	marine grade copper free aluminum - stainless steel AISI316L (size 17/27/37 only)
Screws	stainless steel
Gaskets	O-Ring sealing NBR



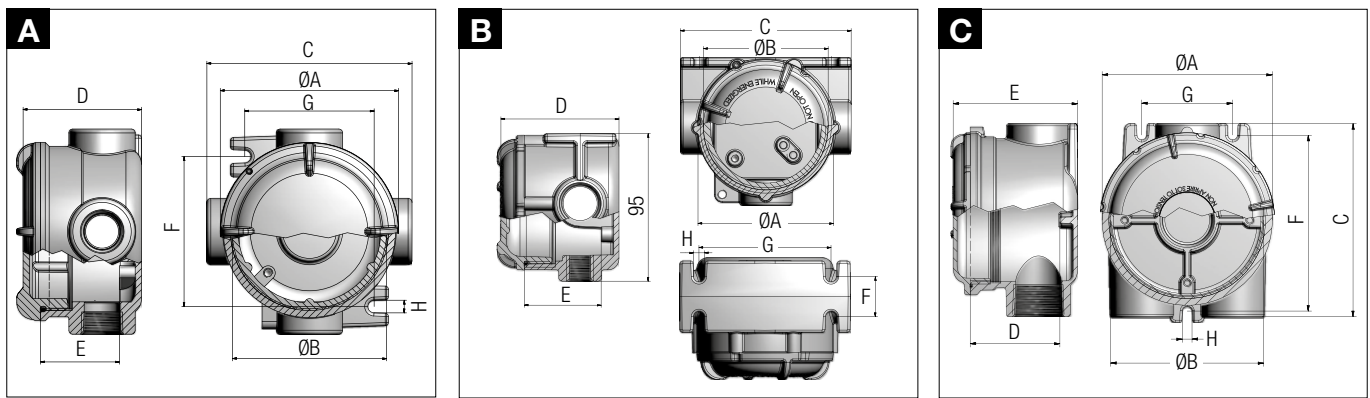
**On Request Accessories:**

- External epoxy painting with colour on request
- Internal anticondensate painting orange RAL-2004
- Cast Iron on request

Technical Features

CODE	Ø A [mm]	Ø B [mm]	C [mm]	D [mm]	E [mm]	F [mm]	G [mm]	H [mm]	WEIGHT [Kg]	DETAIL
GUA...16	87	77	100	75	40	70	70	7	0,60	A
GUA...17	113	100	130	79	50	95	82	9	0,90	A
GUA...26	87	77	100	75	40	70	70	7	0,60	A
GUA...27	113	100	130	79	50	95	82	9	0,90	A
GUA...36	87	77	100	75	40	70	70	7	0,60	A
GUA...37	113	100	130	79	50	95	82	9	0,90	A
GUA...59	154	135	169	110	75	100	130	7,5	1,30	A
GUA...69	154	135	169	110	75	100	130	7,5	1,30	A
GUAY59	154	135	169	110	75	155	80	9	1,30	C
EAHF26	87	77	110	76	50	26	85	7	0,50	B

Reference details



Hubs arrangement

REFERENCE DETAILS	COMPLETE CODE	HUBS SIZE	REFERENCE DETAILS	COMPLETE CODE	HUBS SIZE						
	GUAB16	2 x 1/2"		GUAW16	4 x 1/2"						
	GUAB17	2 x 1/2"		GUAW17	4 x 1/2"						
	GUAB26	2 x 3/4"		GUAW26	4 x 3/4"						
	GUAB27	2 x 3/4"		GUAW27	4 x 3/4"						
	GUAB36	2 x 1"		GUAW36	4 x 1"						
	GUAB37	2 x 1"		GUAW37	4 x 1"						
	GUAB59	2 x 1-1/2"		GUAW59	4 x 1-1/2"						
	GUAB69	2 x 2"		GUAW69	4 x 2"						
	GUAL16	2 x 1/2"		GUAD16	3 x 1/2"						
	GUAL17	2 x 1/2"		GUAD17	3 x 1/2"						
	GUAL26	2 x 3/4"		GUAD26	3 x 3/4"						
	GUAL27	2 x 3/4"		GUAD27	3 x 3/4"						
	GUAL36	2 x 1"		GUAD36	3 x 1"						
	GUAL37	2 x 1"		GUAD37	3 x 1"						
	GUAL59	2 x 1-1/2"		GUAD59	3 x 1-1/2"						
	GUAL69	2 x 2"		GUAD69	3 x 2"						
	GUAC16	2 x 1/2"			GUAY59	3 x 1-1/2"					
	GUAC17	2 x 1/2"									
	GUAC26	2 x 3/4"									
	GUAC27	2 x 3/4"									
GUAC36	2 x 1"										
GUAC37	2 x 1"										
GUAC59	2 x 1-1/2"										
GUAC69	2 x 2"										
GUAT16	3 x 1/2"		GUAM16				3 x 1/2"				
GUAT17	3 x 1/2"										
GUAT26	3 x 3/4"										
GUAT27	3 x 3/4"										
GUAT36	3 x 1"										
GUAT37	3 x 1"										
GUAT59	3 x 1-1/2"										
GUAT69	3 x 2"										
EAHF26	3 x 3/4"				GUAM16	5 x 1/2"					
GUAX16	4 x 1/2"										
GUAX17	4 x 1/2"										
GUAX26	4 x 3/4"										
GUAX27	4 x 3/4"										
GUAX36	4 x 1"										
GUAX37	4 x 1"										
GUAX59	4 x 1-1/2"										
GUAX69	4 x 2"										
	GUAX16	4 x 1/2"					GUAJ16	5 x 3/4"			
				GUAX17	4 x 1/2"						
				GUAX26	4 x 3/4"						
				GUAX27	4 x 3/4"						
				GUAX36	4 x 1"						
				GUAX37	4 x 1"						
				GUAX59	4 x 1-1/2"						
				GUAX69	4 x 2"						
					GUAX16	5 x 1/2"				GUAJ16	5 x 1"
GUAX26	5 x 3/4"										
GUAX27	5 x 3/4"										
GUAX36	5 x 1"										
GUAX37	5 x 1"										
GUAX59	5 x 1-1/2"										
GUAX69	5 x 2"										