

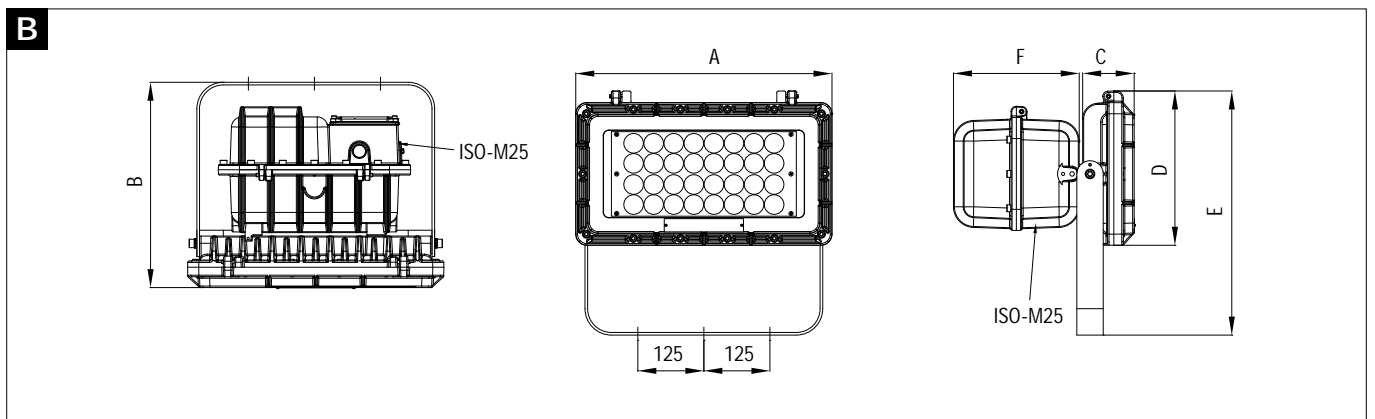
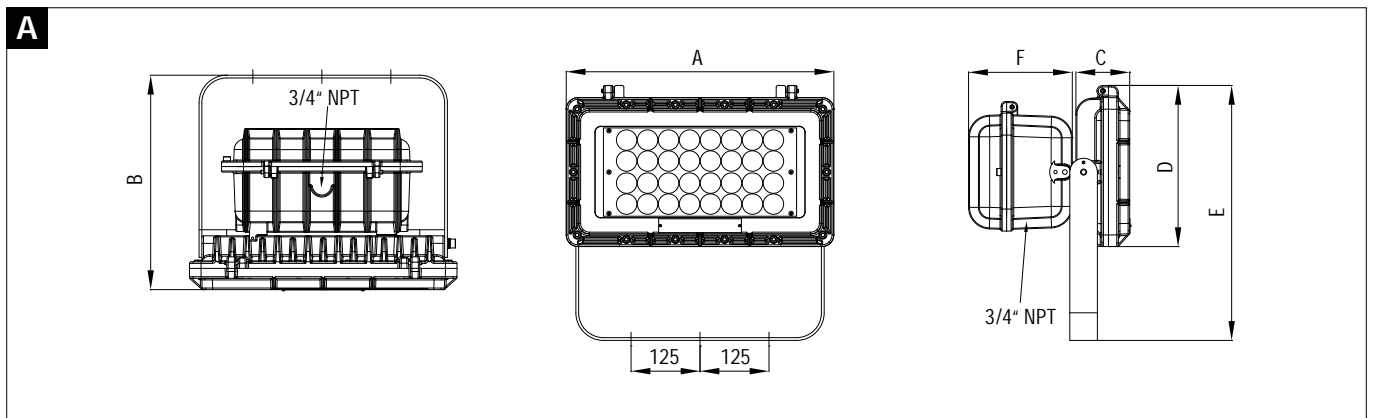
Technical data

CODE	1203 2: (5 3)	TEMPERATURE CLASS (GAS)	TEMPERATURE CLASS (DUSTS)	NOMINAL OUTPUT (lm)	LAMP TYPE	CABLE ENTRY SIZE	DETAIL
FLOODLIGHTS FOR LED LAMP - POWER SUPPLY 1-277 Vac - 50/60 Hz							
SFD/0-LED	W	T6 (Ta = -20°C / +40°C)	T 85°C		POWER LED	x 3/4 NPT	A
SFDE/0 -LED		T5 (Ta = -20°C / +50°C)	T 100°C			2 x ISO-M25	B
SFD/-LED	W	T6 (Ta = -20°C / +40°C)	T 85°C	x 3/4 NPT		A	
SFDE/ -LED		T5 (Ta = -20°C / +50°C)	T 100°C	2 x ISO-M25		B	
SFD/-LED	W	T6 (Ta = -20°C / +40°C)	T 85°C	x 3/4 NPT		A	
SFDE/ -LED		T5 (Ta = -20°C / +50°C)	T 100°C	2 x ISO-M25		B	
SFD/-LED	W	T6 (Ta = -20°C / +40°C)	T 85°C	x 3/4 NPT	A		
SFDE/ -LED		T5 (Ta = -20°C / +50°C)	T 100°C	2 x ISO-M25	B		

Technical features

CODE	A [mm]	B [mm]	C [mm]	D [mm]	E [mm]	F [mm]	WEIGHT [Kg]	CABLE ENTRY	DETAIL
SFD/0-LED SFD/-LED	485	390	100	292	462	190	25,00	x 3/4 NPT	A
SFDE/0 -LED SFDE/ -LED	485	390	100	292	462	240	26,00	2 x ISO-M25	B

Reference details



REMARK:

Due to the development of the national and international specifications and of the technology, the above technical characteristics showed on this bulletin can be considered as binding on our confirmation only.