



Installation: Safe Area

Insulation Class: I



REFERENCE STANDARDS

CEI / EN

EXECUTION	INDUSTRIAL WEATHERPROOF
RULES OF COMPLIANCE	EN 60598-1 + A1; EN 60598-2-1
EC Type-Examination Certificate	-
PROTECTION DEGREE	IP66
AMBIENT TEMPERATURE	-20°C ÷ +60°C

Mechanical characteristics

Body	marine grade copper free aluminium
Diffuser	tempered front glass 4mm
Support	adjustable type 3mm thick shaped steel
Painting	external thermosetting polyester powder RAL-7039 colour
Screws	external stainless steel
Gaskets	silicon rubber
Cable entry	Dia. 20.5mm

Electrical characteristics

Power supply	220÷240Vac electronic driver 50/60 Hz - C/W surge protection 6KV and NTC thermal sensor
Lamp type	Lumileds / Philips Luxeon M - CRI 70, CCT 4000K Lifetime : 50.000 hours L80 B10 @ta25
Internal wiring	high-temperature resistant silicon rubber insulation cables
Terminals	suitable up to 4 sq/mm cables
Optic	SM = without lens, maximum efficiency AS = with asymmetrical lens with vertex at 50deg



On Request Accessories:

- External painting colour on request
- DALI and Bi-Power ballast
- CCT 3000/5000K
- Customized LED current drivers

Technical data

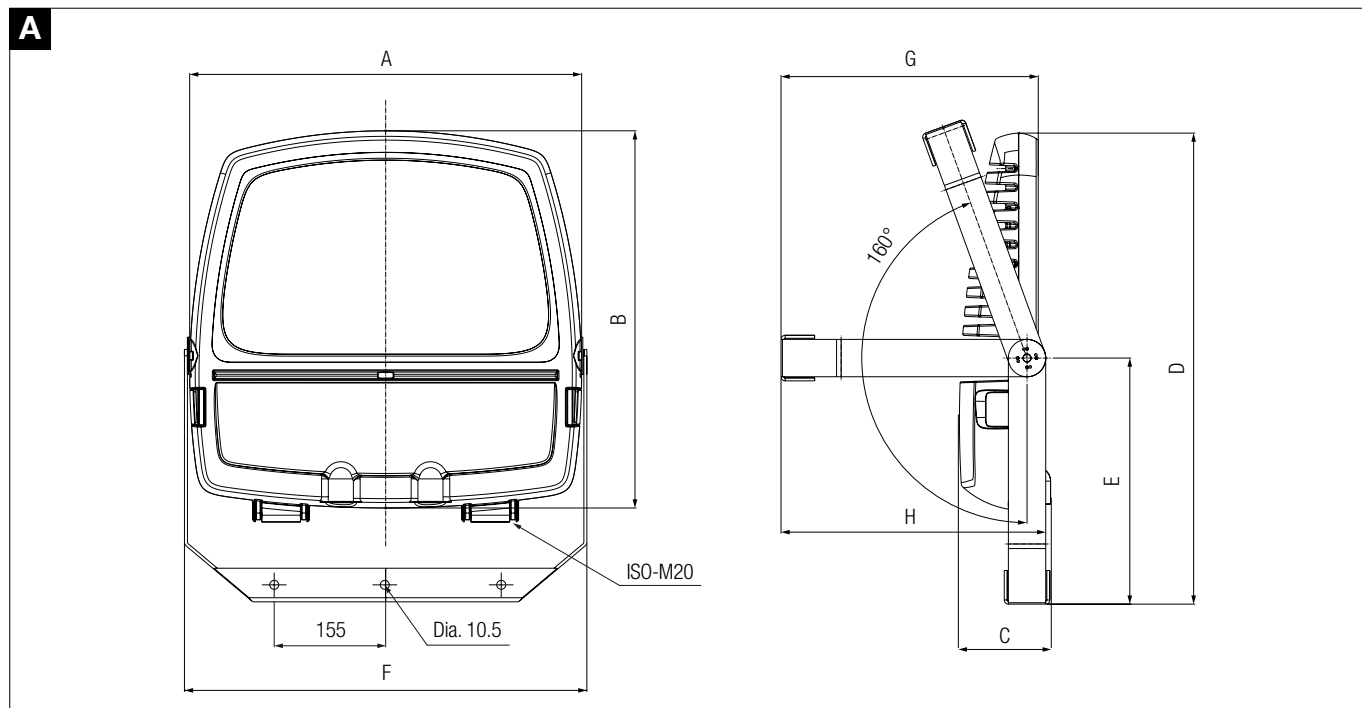
CODE	POWER LAMP	WIRING	TEMPERATURE CLASS (GAS)	TEMPERATURE CLASS (DUSTS)	OUTPUT TYPICAL (lm)	OUTPUT NET (lm)	CABLE ENTRY SIZE	DETAIL
FLOODLIGHTS FOR LED LAMP - POWER SUPPLY 220±240V 50/60Hz								
WFLA-16...(*)	128 W	16 LED	-	-	17200	15740	1 x ISO-M20	A
WFLA-20...(*)	160 W	20 LED	-	-	21500	19675	1 x ISO-M20	A
WFLA-24...(*)	192 W	24 LED	-	-	25800	23610	1 x ISO-M20	A
WFLA-28...(*)	224 W	28 LED	-	-	30100	27545	1 x ISO-M20	A
WFLA-32...(*)	256 W	32 LED	-	-	34400	31480	1 x ISO-M20	A
WFLA-36...(*)	288 W	36 LED	-	-	38700	35415	1 x ISO-M20	A
WFLA-40...(*)	320 W	40 LED	-	-	43000	39350	1 x ISO-M20	A

(*) OPTIC BEAM: **SM** = WITHOUT LENS / **AS** = ASYMMETRICAL LENS

Technical features

CODE	A [mm]	B [mm]	C [mm]	D [mm]	E [mm]	F [mm]	G [mm]	H [mm]	WEIGHT [Kg]	CABLE ENTRY	DETAIL
WFLA-16 WFLA-20 WFLA-24 WFLA-28	524.84	505	122	630.60	329.40	538.80	334.40	354.40	20.50	1 x ISO-M20	A
WFLA-32 WFLA-36 WFLA-40	524.84	505	122	630.60	329.40	538.80	334.40	354.40	21.90	1 x ISO-M20	A

Reference details



REMARK:

Due to the development of the national and international specifications and of the technology, the above technical characteristics showed on this bulletin can be considered as binding on our confirmation only.