



**Installation:** hazardous areas - Zone 1 / 2 (Gases) - Zone 21 / 22 (Dusts)  
**Classification:** Group II - Category 2G 2D



**REFERENCE STANDARDS**

**Directive 2014/34/EU**

EXECUTION	(⊕ II 2 G) Ex db IIA or IIB or IIB+H2 T6...T3 (⊕ II 2 G) Ex db [Ia/Ib IIA or IIB or IIC Ga] IIA or IIB or IIB+H2 T6 (⊕ II 2 D) Ex tb IIIC T85°C...T200°C (⊕ II 2 D) Ex tb [Ia Da/Ib] IIIC T85°C
RULES OF COMPLIANCE	EN/IEC 60079-0; EN/IEC 60079-1; EN/IEC 60079-11; EN/IEC 60079-31
EC Type-Examination Certificate	INERIS 13 ATEX 0022X
PROTECTION DEGREE	IP66
AMBIENT TEMPERATURE	-60°C ÷ +80°C
OTHER AVAILABLE CERTIFICATES	Component: INERIS 13 ATEX 9019U IECEx: IECEx INE 13_0070X INMETRO: CEPEL 12.2139X EAC: TC RU C-IT.Г502.B.00689/18 RINA: ELE139017CS003 RUSSIAN MARINE CERTIFICATE (RMRS): 19.02521.280 NEC 505: UL 20120514-E344596 Type rating NEMA 1, 12, 4 and 4X

**Mechanical characteristics**

Body/cover	stainless steel AISI-316 L
Screws	stainless steel AISI-316 L
Internal mounting plate	stainless steel AISI-316 L
Fixing	fixing lugs stainless steel AISI-316 L - stainless steel stirrups sp.10mm (EJB71/73 and EJB91/93)
Hinges	welded on cover and body
Opening handle	insulating material fixed on cover by stainless steel screws



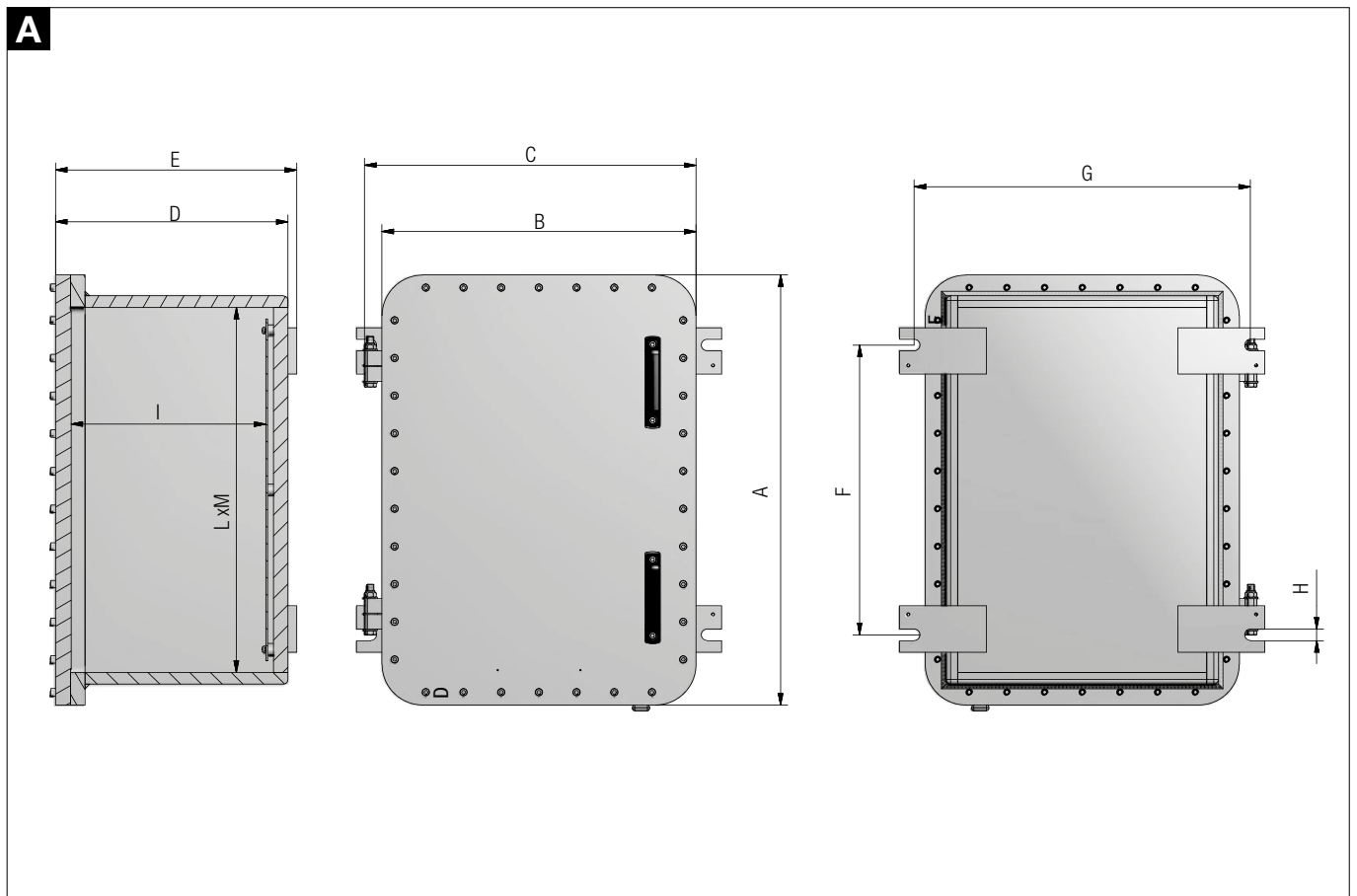
**On Request Accessories:**

- External epoxy painting (any colours)
- Internal anticondensate painting orange RAL-2004
- O-Ring gaskets on cover
- Glass windows on cover
- Drain and breather valves

Technical Features

CODICE	A [mm]	B [mm]	C [mm]	D [mm]	E [mm]	F [mm]	G [mm]	H [mm]	I [mm]	L [mm]	M [mm]	INT. PLATE X - Y [mm]	WEIGHT [Kg]	DETAIL
EJB-11 INX	175	175	197	120	125	80	165	11	90	113	113	100 - 100	11,00	A
EJB-21 INX	285	245	267	164	174	160	230	11	121	215	175	180 - 140	32,00	A
EJB-22 INX	300	200	221	218	228	195	188	11	174	229	129	180 - 100	38,00	A
EJB-23 INX	310	260	290	196	206	195	251	13	152	220	170	200 - 160	40,00	A
EJB-30 INX	415	315	337	158	168	294	290	13	113	345	245	300 - 200	53,00	A
EJB-31 INX	415	315	337	243	253	294	290	13	195	345	245	300 - 200	62,00	A
EJB-51 INX	576	374	396	253	263	360	355	13	200	487	287	450 - 250	110,00	A
EJB-61 INX	670	470	491	344	354	500	437	13	307	580	380	530 - 330	152,00	A
EJB-63 INX	670	470	491	229	239	500	437	13	182	580	380	530 - 330	140,00	A
EJB-71 INX	742	542	572	401	416	500	580	16	331	632	432	590 - 390	222,00	A
EJB-73 INX	742	542	572	279	294	500	580	16	213	632	432	590 - 390	190,00	A
EJB-91 INX	960	660	697	432	452	600	640	16	350	825	525	750 - 440	419,00	A
EJB-93 INX	960	660	697	275	295	600	640	16	193	825	525	750 - 440	350,00	A

Reference details



Indicative quantity of terminals and relevant section

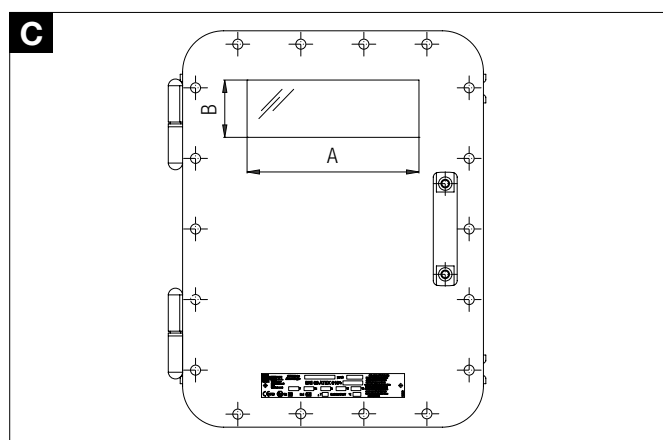
CODE	SEZ. 2,5 [sq/mm]	SEZ. 6,0 [sq/mm]	SEZ. 10,0 [sq/mm]	SEZ. 16,0 [sq/mm]	SEZ. 35,0 [sq/mm]	SEZ. 50,0 [sq/mm]	SEZ. 70,0 [sq/mm]	SEZ. 240,0 [sq/mm]	INT. PLATE X - Y [mm]
EJB-11 INX	12 x 1	8 x 1	6 x 1	4 x 1	2 x 1	-	-	-	100 - 100
EJB-21 INX	30 x 1	20 x 1	14 x 1	12 x 1	9 x 1	7 x 1	5 x 1	1 x 1	180 - 140
EJB-22 INX	30 x 1	20 x 1	14 x 1	12 x 1	9 x 1	7 x 1	5 x 1	1 x 1	180 - 100
EJB-23 INX	35 x 1	22 x 1	16 x 1	14 x 1	11 x 1	9 x 1	7 x 1	2 x 1	200 - 160
EJB-30 INX	52 x 2	32 x 2	24 x 2	20 x 2	14 x 2	12 x 1	8 x 1	4 x 1	300 - 200
EJB-31 INX	52 x 2	32 x 2	24 x 2	20 x 2	14 x 2	12 x 1	8 x 1	4 x 1	300 - 200
EJB-51 INX	80 x 2	46 x 2	36 x 2	30 x 2	22 x 2	18 x 2	16 x 1	6 x 1	450 - 250
EJB-61/63 INX	92 x 3	58 x 3	46 x 3	38 x 3	28 x 3	26 x 2	22 x 2	12 x 1	530 - 330
EJB-71/73 INX	110 x 3	70 x 3	56 x 3	46 x 3	34 x 3	28 x 2	24 x 2	12 x 1	590 - 390
EJB-91/93 INX	140 x 3	90 x 3	70 x 3	60 x 3	44 x 3	36 x 3	32 x 2	14 x 2	750 - 440



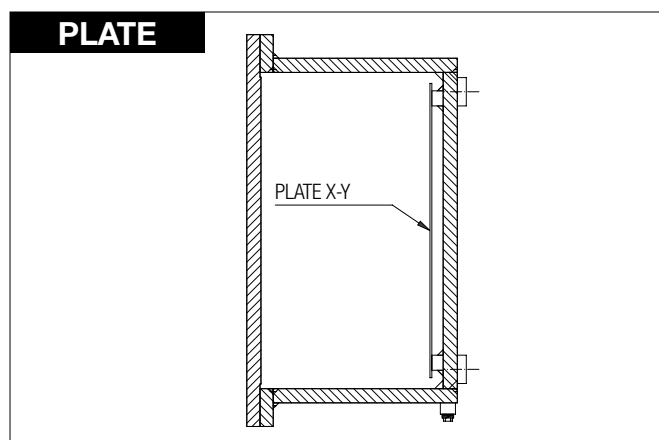
**Glass Windows on Cover**

WINDOW CODE	WINDOW TYPE	ENCLOSURE CODE									DIMENSIONS		DETAIL
		EJB-11 INX	EJB-21 INX	EJB-22 INX	EJB-23 INX	EJB-30/31 INX	EJB-51 INX	EJB-61/63 INX	EJB-71/73 INX	EJB-91/93 INX	A [mm]	B [mm]	
20201.0054	F1	X	X	X	X	X	X	X	X	X	60	60	C
20201.0055	F2	-	X	X	X	X	X	X	X	X	75	75	C
20201.0056	F3	-	X	X	X	X	X	X	X	X	110	75	C
20201.0057	F4	-	X	X	X	X	X	X	X	-	150	75	C
20201.0058	F5	-	-	-	-	X	X	X	-	-	150	150	C
20201.0059	F6	-	-	-	-	-	X	X	-	-	300	75	C
20201.0060	F7	-	-	-	-	-	X	X	-	-	300	150	C
20201.0061	F8	-	-	-	-	-	-	X	-	-	300	300	C
20201.0062	F9	-	-	-	-	-	-	X	-	-	450	300	C

**Reference details**



**Reference details**

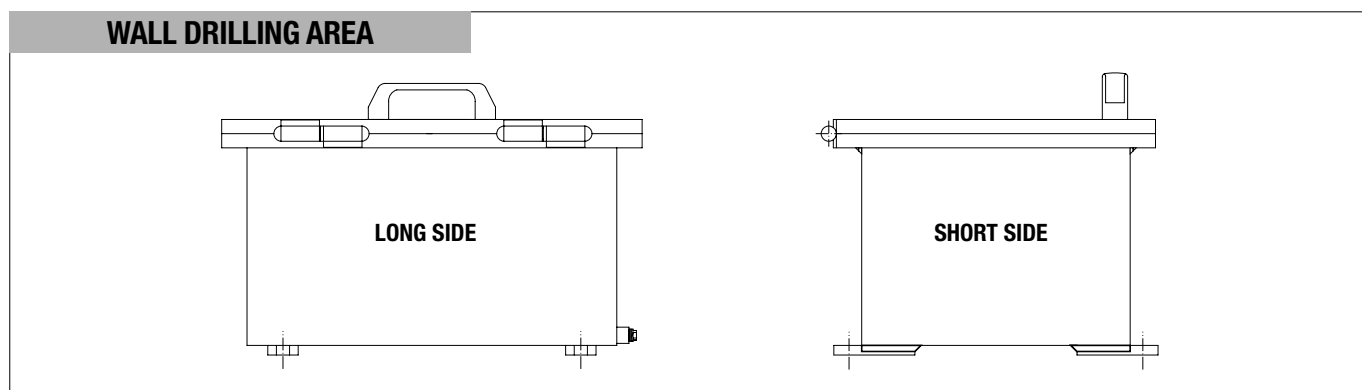


**Body and cover enclosures indicative maximum quantity of holes of the same size**

ENCLOSURE CODE	DRILLING AREA LONG SIDE							
	QUANTITY ALLOWED ENTRIES FOR SIZE (from 1 to size 8)							
	1	2	3	4	5	6	7	8
EJB-11 INX	3	2	2	1	1	-	-	-
EJB-21 INX	10	7	5	3	2	2	1	-
EJB-22 INX	15	11	8	6	6	3	2	1
EJB-23 INX	11	8	6	4	3	3	2	1
EJB-30 INX	13	7	5	5	4	3	-	-
EJB-31 INX	28	18	14	11	8	6	3	2
EJB-51 INX	44	27	24	20	12	10	6	3
EJB-61 INX	72	50	36	32	21	21	14	8
EJB-63 INX	36	29	18	16	14	7	5	4
EJB-71 INX	90	55	46	39	32	21	15	10
EJB-73 INX	40	26	22	18	14	12	7	4
EJB-91 INX	112	84	65	55	40	28	23	14
EJB-93 INX	48	42	29	22	10	11	9	5

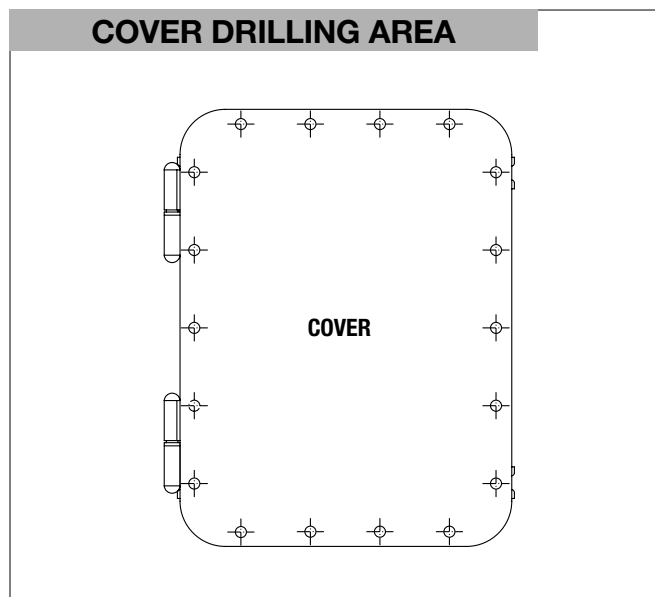
ENCLOSURE CODE	DRILLING AREA SHORT SIDE							
	QUANTITY ALLOWED ENTRIES FOR SIZE (from 1 to size 8)							
	1	2	3	4	5	6	7	8
EJB-11 INX	3	2	2	1	1	-	-	-
EJB-21 INX	8	5	4	3	2	1	1	-
EJB-22 INX	9	5	5	4	2	1	1	1
EJB-23 INX	9	6	6	5	2	2	1	1
EJB-30 INX	9	5	4	3	3	2	-	-
EJB-31 INX	20	12	9	8	6	5	2	1
EJB-51 INX	24	15	12	11	6	6	3	2
EJB-61 INX	48	30	24	20	12	12	8	6
EJB-63 INX	24	17	12	10	8	4	3	3
EJB-71 INX	59	35	28	25	21	12	10	6
EJB-73 INX	26	18	14	12	8	11	4	2
EJB-91 INX	70	42	35	35	24	18	13	8
EJB-93 INX	30	24	21	14	12	7	5	3

**Reference details**



**Max allowed q.ty of push button and pilot light**

COVER DRILLING AREA	
ENCLOSURE CODE	MAX OPERATORS PERMITTED
EJB-11 INX	4
EJB-21 INX	12
EJB-22 INX	12
EJB-23 INX	16
EJB-30 INX	30
EJB-31 INX	30
EJB-51 INX	54
EJB-61 INX	56
EJB-63 INX	56
EJB-71 INX	48
EJB-73 INX	48
EJB-91 INX	54
EJB-93 INX	54

**Threads comparison table**

SIZE	EN10226-2	ISO 228-1	B1.20.1	ISO 262
0	R-Rc 1/8"	G 1/8"	1/8" NPT	M10
1	R-Rc 1/2"	G 1/2"	1/2" NPT	M20
2	R-Rc 3/4"	G 3/4"	3/4" NPT	M25
3	R-Rc 1"	G 1"	1" NPT	M32
4	R-Rc 1-1/4"	G 1-1/4"	1-1/4" NPT	M40
5	R-Rc 1-1/2"	G 1-1/2"	1-1/2" NPT	M50
6	R-Rc 2"	G 2"	2" NPT	M63
7	R-Rc 2-1/2"	G 2-1/2"	2-1/2" NPT	M75
8	R-Rc 3"	G 3"	3" NPT	M85
9	-	G 3-1/2"	3-1/2" NPT	M100
10	R-Rc 4"	G 4"	4" NPT	M115

**REMARK:**

Due to the development of the national and international specifications and of the technology, the above technical characteristics showed on this bulletin can be considered as binding on our confirmation only.