



**Installation:** hazardous areas - Zone 1 / 2 (Gases) - Zone 21 / 22 (Dusts)  
**Classification:** Group II - Category 2G 2D



**REFERENCE STANDARDS**

**ACOUSTIC SIGNALERS ETH9...**

**Directive 2014/34/EU**

EXECUTION	⊗ II 2 G Ex d IIC T6 Gb ⊗ II 2 D Ex tb IIIC T85°C Db
RULES OF COMPLIANCE	EN/IEC 60079-0; EN/IEC 60079-1; EN/IEC 60079-31
EC Type-Examination Certificate	INERIS 15 ATEX 0012X
PROTECTION DEGREE	IP66
AMBIENT TEMPERATURE	-60°C ÷ +60°C
OTHER AVAILABLE CERTIFICATES	IECEX: IECEX INE 15_0013X EAC: TC RU C-IT.BH02.B.00608 RUSSIAN MARINE CERTIFICATE (RMRS): 13.03520.315

**MULTI-TONE ELECTRONIC SIREN EFST**

**Directive 2014/34/EU**

EXECUTION	II 2 G Ex d IIC T5 II 2 D Ex tb IIIC T85°C
RULES OF COMPLIANCE	EN/IEC 60079-0; EN/IEC 60079-1; EN/IEC 60079-31
EC Type-Examination Certificate	EXA14ATEX0046
PROTECTION DEGREE	IP66
AMBIENT TEMPERATURE	-60°C +60°C
OTHER AVAILABLE CERTIFICATES	EAC: TC RU C-IT.BH02.B.00608 (-60°C ÷ +60°C) RUSSIAN MARINE CERTIFICATE (RMRS): 13.03520.315 IECEX: IECEX EXA 14.0003

**Mechanical characteristics**

Body	marine grade copper free aluminum light alloy
Cover	marine grade copper free aluminum light alloy
Screws	stainless steel



**On Request Accessories:**

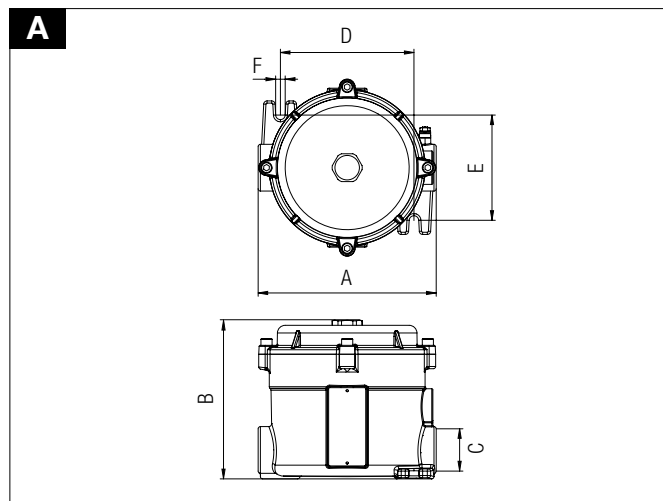
- External epoxy painting (any colours)
- Threaded cable entry different than standard

**Technical Features**

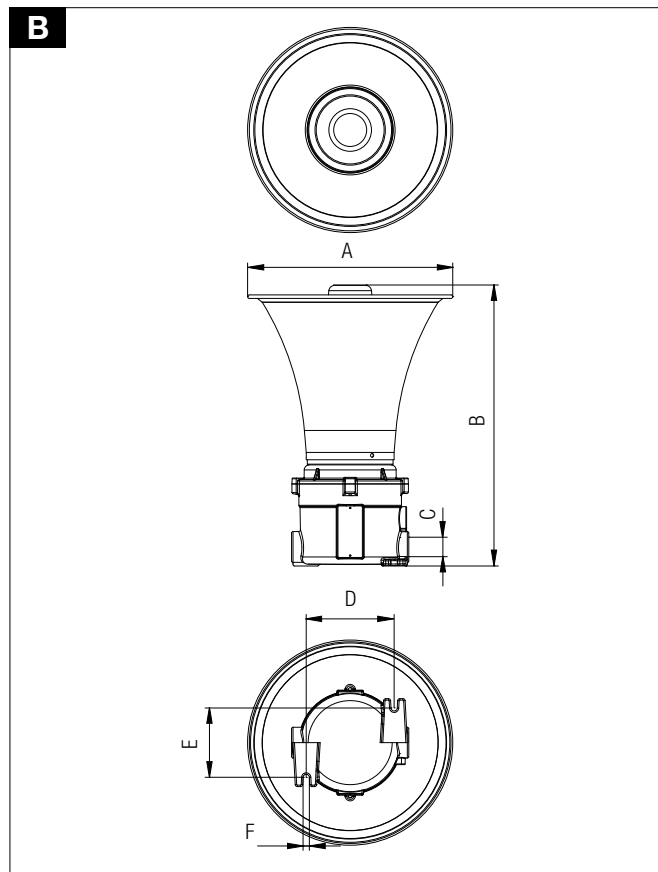
CODE	A [mm]	B [mm]	ØC [mm]	D [mm]	E [mm]	F [mm]	TEMPERATURE CLASS (GAS)	TEMPERATURE CLASS (DUSTS)	WEIGHT [Kg]	DETAIL
ETH9	160	143	NPT 3/4"	120	95	9	T6	T85°C	2	A
EFST	280	383	NPT 3/4"	120	95	9	T6	T85°C	2,6	B

TYPE	VOLTAGE	CONSUMPTION	DUTY	SOUND INTENSITY [db]
ETH9#012AC	12V - 50/60Hz	13VA	CONTINUOUS	80
ETH9#024AC	24V - 50/60Hz	13VA	CONTINUOUS	80
ETH9#110AC	110V - 50/60Hz	13VA	CONTINUOUS	80
ETH9#230AC	230V - 50/60Hz	13VA	CONTINUOUS	80
ETH9#012DC	12V - DC	8VA	CONTINUOUS	80
ETH9#024DC	24V - DC	8VA	CONTINUOUS	80
ETH9#110DC	110V - DC	8VA	CONTINUOUS	80
EFST7-12/24VAC/DC	12/24V DC - AC 50/60Hz	10W - 710mA	CONTINUOUS	100
EFST7-110-230VAC	110-230V - 50/60Hz	10W - 710mA	CONTINUOUS	100

**Reference Details**



EFST MULTI-TONE ELECTRONIC SIREN - SOUND FEATURES	
LEVEL	100 db @ 1m
FREQUENCY	440 ÷ 1600 Hz
AVAILABLE MODULATIONS	5
1 - TWO TONE	400 Hz / 0,1 sec. - 554 Hz / 0,1 sec.
2 - YELP	750 Hz / 2 sec. ON - 2 sec. OFF
3 - WAIL	400÷800 Hz / 2.5 sec. UP - 2.5 sec. DOWN
4 - PULSED	554 Hz / 1 sec. ON - 1 sec. OFF
5 - FIX TONE	554 Hz



**REMARK:**

Due to the development of the national and international specifications and of the technology, the above technical characteristics showed on this bulletin can be considered as binding on our confirmation only.