



Installation: hazardous areas - Zone 1 / 2 (Gases) - Zone 21 / 22 (Dusts)
Classification: Group II - Category 2G 2D



REFERENCE STANDARDS

Directive 2014/34/EU

EXECUTION	⊗ Ex db eb IIC T6 Gb
	⊗ Ex db op is IIC T6 Gb (for PCB LED type only)
RULES OF COMPLIANCE	⊗ Ex db eb op is IIC T6 Gb (for PCB LED type only)
	⊗ Ex tb IIIC T85°C Db
	⊗ Ex op is tb IIIC T85°C Db (for PCB LED type only)
EC Type-Examination Certificate	EN/IEC 60079-0; EN/IEC 60079-1; EN/IEC 60079-7; EN/IEC 60079-31;
PROTECTION DEGREE	IP66
AMBIENT TEMPERATURE	-20°C ÷ +60°C
OTHER AVAILABLE CERTIFICATES	IECEX: IECEX INE 13.0055X INMETRO: CEPEL 13.2291X EAC: TC-RU C-IT.Г Ё08.B.01342 (-45°C ÷ +60°C) RUSSIAN MARINE CERTIFICATE (RMRS): 19.02519.280

Mechanical characteristics

Body	marine grade copper free aluminium
Diffuser	high-temperature resistant borosilicate glass
Painting	external epoxy powders grey ral-9006 colour
Screws	external stainless steel
Reflectors	white stove enamelled sheet steel
Cable entry	3/4" NPT size threaded (Ex-d) ISO-M25 size threaded (Ex-de)

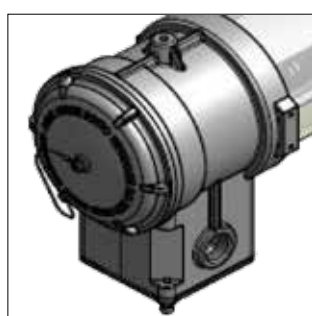
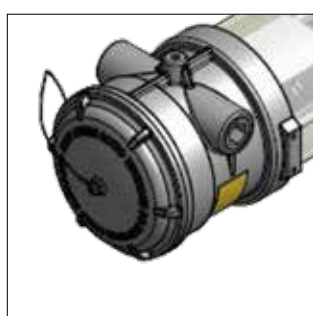
Electrical characteristics

Power supply (fluo)	electronic ballast: 220V÷240Vac 50/60Hz (cos ρ ≥ 0,98) 220V÷240Vdc
Power supply (led)	electronic ballast 100V/240V 50/60Hz (always on - maintained)
	electronic ballast 110V/240V 50/60Hz (network only - not maintained)
	electronic ballast 110V/240V 50/60Hz (only in emergency)
Lampholders	bi-in g5 cap (fluorescent lamp only)
Internal Wiring	high-temperature resistant silicon rubber insulation cables
Terminals	suitable up to 4sq/mm cables
Emergency Unit	emergency unit for maintained and not maintained (see technical data table)

Functional characteristics

EVFG** *8 (Network only)	8W fluorescent lamp and electronic ballast 220V÷240Vac 50/60Hz 220V÷240Vdc
EVFG** *8ESA-3 (Always On - Maintained)	8W fluorescent lamp and electronic ballast 220V/240V AC
EVFG** *8E-3 (Emergency only - Not Maintained)	8W fluorescent lamp and electronic ballast 220V/240V AC
EVFG** *8L (Network only)	with high brightness LEDs (350mA - 4W) supply from 100V up to 240V AC
EVFG** *8LE-SA (Always On - Maintained)	with high brightness LEDs (350mA - 4W) supply from 110V up to 240V AC with charge status monitor LED system (GREEN: battery under charging)
EVFG** *8LE (Emergency only - Not maintained)	with high brightness LEDs (350mA - 4W) supply from 110V up to 240V AC with charge status monitor LED system (GREEN: battery under charging)

** : with "d" for Exd version (Ex. EVFGd *8) - without "d" for Exde version (Ex. EVFG *8) - * = **1** or **2** : with "**1**" = single lamp - with "**2**" = two lamps



On Request Accessories:

- External painting colour on request
- Electronic ballast with voltage supply different than standard
- Threaded cable entry different than standard
- Self-adhesive green label with EXIT sign (language on request)

Technical data

CODE	POWER SUPPLY	LAMP	mA (LED)	TEMPERATURE CLASS (GAS)	TEMPERATURE CLASS (DUSTS)	EMERGENCY UNIT	AUTONOMY
LIGHTING FIXTURES FOR FLUORESCENT TUBE LAMPS							
EVFG**18	220 ÷ 240V AC/DC	8 W x 1	-	T6	T 85°C	no	-
EVFG**18E-3	220 ÷ 240V AC	8 W x 1	-	T6	T 85°C	3,6V - 4A/h	180 min.
EVFG**18ESA-3	220 ÷ 240V AC	8 W x 1	-	T6	T 85°C	3,6V - 4A/h	180 min.
EVFG**28	220 ÷ 240V AC/DC	8 W x 2	-	T6	T 85°C	no	-
EVFG**28ESA-3	220 ÷ 240V AC	8 W x 2	-	T6	T 85°C	3,6V - 4A/h	180 min.

** : with "d" for Exd version (Ex. EVFGd18) - without "d" for Exde version (Ex. EVFG28)

LIGHTING FIXTURES FOR HIGH EFFICIENCY LED LAMPS							
EVFG**18L	100 ÷ 240V AC	1W x 4	350	T6	T 85°C	no	-
EVFG**18LE	110 ÷ 240V AC	1W x 4	350	T6	T 85°C	6V - 2,6A/h	180 min.
EVFG**18LE-SA	110 ÷ 240V AC	1W x 4	350	T6	T 85°C	6V - 2,6A/h	180 min.
EVFG**28L	100 ÷ 240V AC	(1W x 4) x 2	350	T6	T 85°C	no	-
EVFG**28LE-SA	110 ÷ 240V AC	(1W x 4) x 2	350	T6	T 85°C	6V - 2,6A/h	180 min.

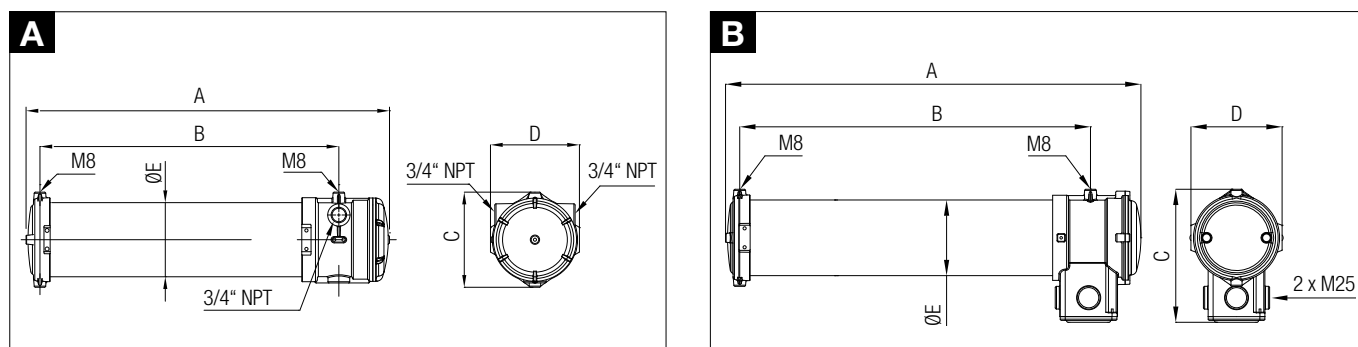
** : with "d" for Exd version (Ex. EVFGd18) - without "d" for Exde version (Ex. EVFG28)

Technical features

CODE	A [mm]	B [mm]	C [mm]	D [mm]	ØE [mm]	WEIGHT [Kg] **	CABLE ENTRY	DETAIL
EVFGd*8	495	390	154	145	120	3,50	2 x 3/4"	A
EVFGd*8E-3						4,50		
EVFG*8	495	390	218	145	120	4,00	2 x M25	B
EVFG*8E-3						5,00		

*= 1 or 2: with "1"= single lamp - with "2"= two lamps

Reference details



On request accessories

CODE	DESCRIPTION	MATERIAL
2070.00088	SELF-ADHESIVE GREEN "EXIT" LABEL	POLYESTER

REMARK:

Due to the development of the national and international specifications and of the technology, the above technical characteristics showed on this bulletin can be considered as binding on our confirmation only.