



Installation: hazardous areas - Zone 1 / 2 (Gases) - Zone 21 / 22 (Dusts)

Classification: Group II - Category 2G 2D



REFERENCE STANDARDS

Directive 2014/34/EU

EXECUTION	⊗ II 2 G Ex d IIC T4 Gb ⊗ II 2 D Ex tb IIIC T135°C Db
RULES OF COMPLIANCE	EN/IEC 60079-0; EN/IEC 60079-1; EN/IEC 60079-31;
EC Type-Examination Certificate	INERIS 01 ATEX 0054X
PROTECTION DEGREE	IP66
AMBIENT TEMPERATURE	-60°C ÷ +60°C
OTHER AVAILABLE CERTIFICATES	IECEX: IECEX INE 13.0075X INMETRO: CEPEL 14.2311X EAC: TC RU C-IT.BH02.B.00602 RINA: ELE18111CS_015 RUSSIAN MARINE CERTIFICATE (RMRS): 19.02519.280

Mechanical characteristics

Body	marine grade copper free aluminium (control gear & lamp body)
Globe	high-temperature resistant borosilicate glass
Painting	external epoxy powders grey RAL-9006 colour
Screws	external stainless steel
Protection	galvanized steel safe guard
Gaskets	silicon rubber

Electrical characteristics

Power supply	12 ÷ 230V AC/DC
Lampholders	porcelain E27



On Request Accessories:

- External painting colour on request

Technical data

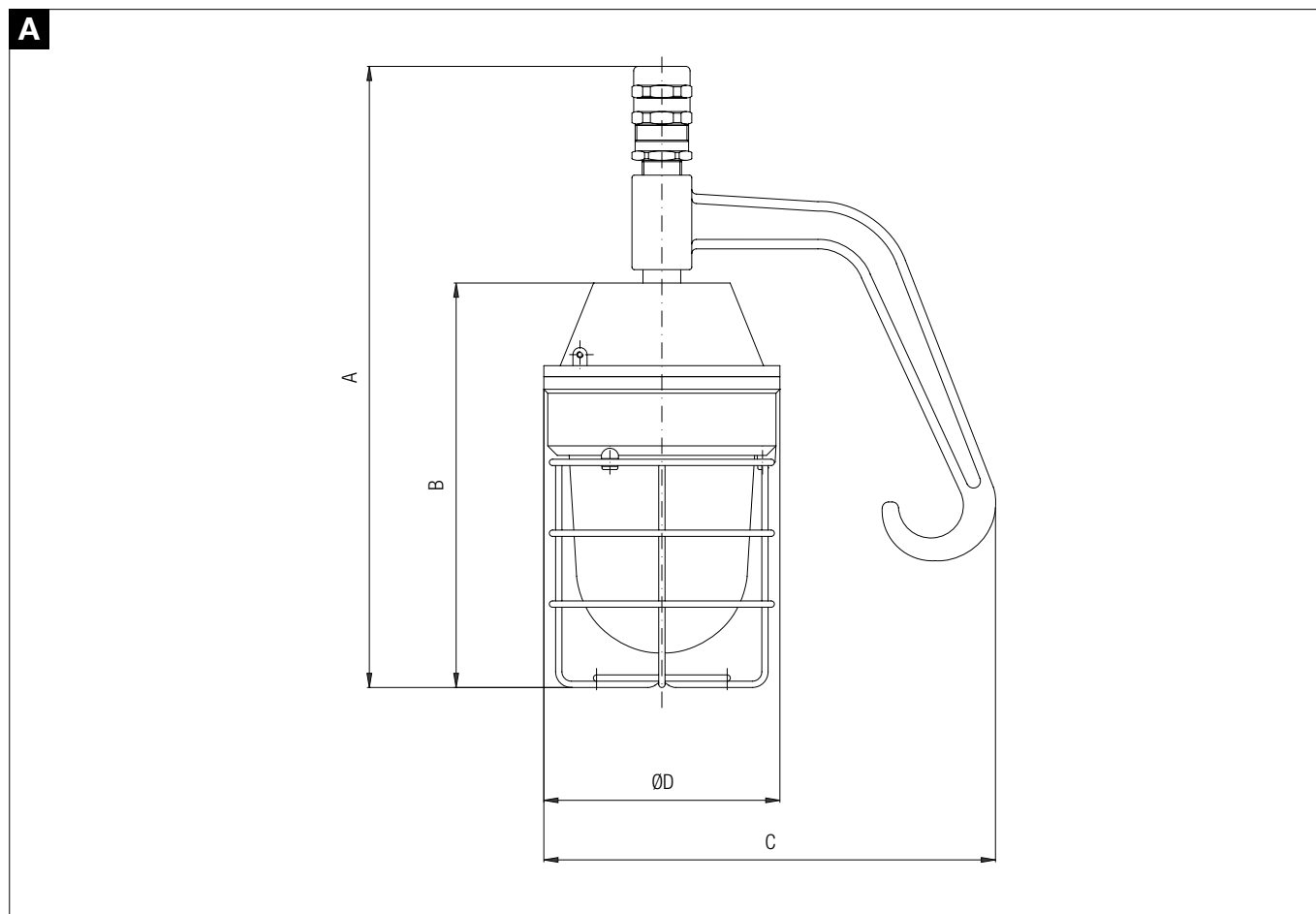
CODE	LAMP POWER	TEMPERATURE CLASS (GAS)	TEMPERATURE CLASS (DUSTS)	LAMPHOLDER SIZE	CABLE ENTRY SIZE	DETAIL
LIGHTING FIXTURE FOR INCANDESCENT* / LED / HALOGEN* / FLUORESCENT LAMP - POWER SUPPLY 230V-50Hz						
EVP100	100 W	T4	T 135°C	E-27	CABLE GLAND 1/2" NPT	A

*lamp not included.

Technical features

CODE	A [mm]	B [mm]	C [mm]	Ø D [mm]	WIGHT [Kg]	CABLE ENTRY	DETAIL
EVP100	395	257	287	150	4,00	CABLE GLAND 1/2" NPT	A

Reference details



REMARK:

Due to the development of the national and international specifications and of the technology, the above technical characteristics showed on this bulletin can be considered as binding on our confirmation only.