



Installation: Safe Area
Insulation Class: I



LIGHTING FIXTURE

	CEI / EN
EXECUTION	INDUSTRIAL WEATHERPROOF
RULES OF COMPLIANCE	EN 60598-1 + A1; EN 60598-2-1
EC Type-Examination Certificate	-
PROTECTION DEGREE	IP66
AMBIENT TEMPERATURE	-40°C ÷ +60°C

Mechanical characteristics

Body	marine grade copper free aluminium (control gear & lamp body)
Globe	high-temperature resistant borosilicate glass
Painting	external epoxy powders grey RAL-9006 colour
Screws	external stainless steel
Gaskets	silicon rubber

Electrical characteristics

Power supply	conventional ballast 230v - 50hz (p.f.corrected - $\cos \rho \geq 0,95$)
Lampholders	porcelain e27/e40 size
Internal wiring	high-temperature resistant silicon rubber insulation cables
Terminals	suitable up to 4 sq/mm cables

On Request Accessories:

- Ceiling mounting kit complete with stainless steel hardware
- Pendant mounting kit complete with stainless steel hardware
- Pole mounting 25° kit 1 1/2" dia. complete with stainless steel hardware
- Wall/Structure mounting kit complete with stainless steel hardware
- Galvanized steel wire protection guard
- Stainless steel wire protection guard
- White stove enamelled aluminium reflectors Ceiling mounting kit complete with stainless steel hardware
- White stove enamelled aluminium reflectors
- White stove enamelled aluminium reflectors inclined 30°
- Stainless steel AISI 316L reflectors
- External painting colour on request
- Control gear with voltage supply different than standard
- Threaded cable entry different than standard



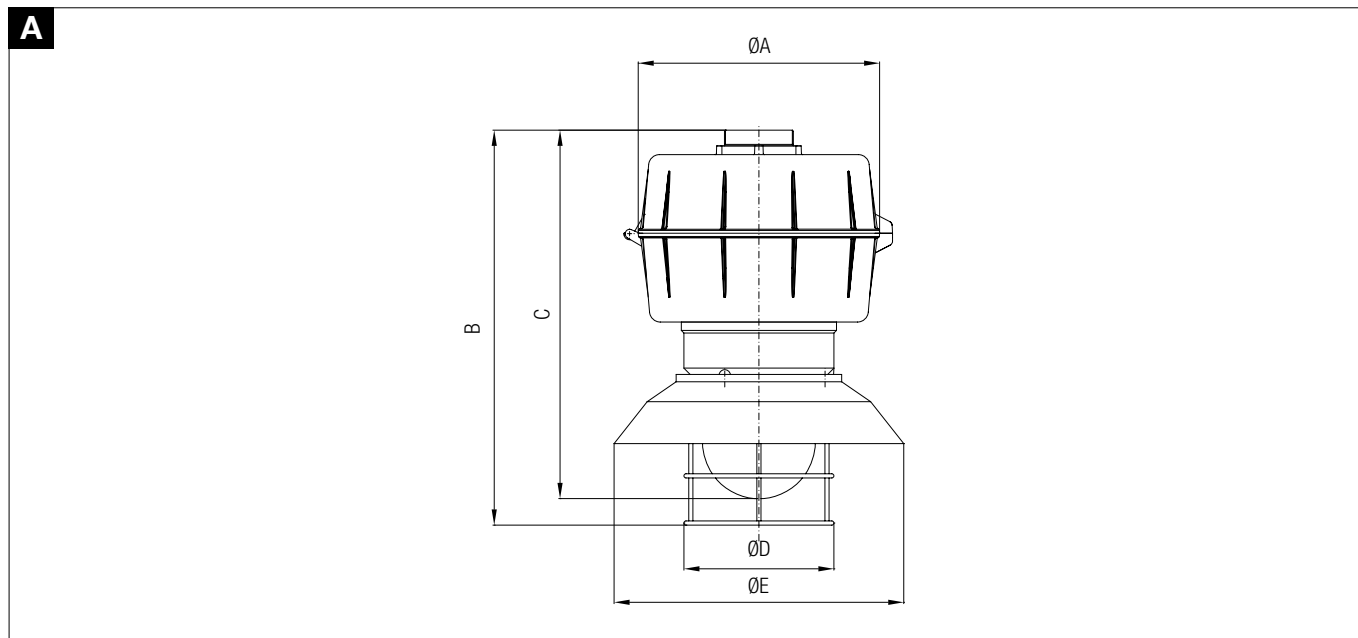
Technical data

CODE	LAMP TYPE	TEMPERATURE CLASS (GAS)	TEMPERATURE CLASS (DUSTS)	LAMPHOLDER SIZE	DETAIL
LIGHTING FIXTURE FOR HIGH PRESSURE MERCURY VAPOUR LAMP - POWER SUPPLY 230V 50Hz					
EW2-80HG	80 W	-	-	E-27	A
EW2-125HG	125 W	-	-	E-27	A
EW3-250HG	250W	-	-	E-40	A
EW5-400HG	400 W	-	-	E-40	A
LIGHTING FIXTURE FOR METAL HALIDE LAMP - POWER SUPPLY 230V 50Hz					
EW2-70MH	70 W	-	-	E-27	A
EW2-100MH	100 W	-	-	E-27	A
EW2-150MH	150 W	-	-	E-27	A
EW3-175MH	175 W	-	-	E-40	A
EW3-250MH	250 W	-	-	E-40	A
EW5-400MH	400 W	-	-	E-40	A
LIGHTING FIXTURE FOR HIGH PRESSURE SODIUM LAMP - POWER SUPPLY 230V 50Hz					
EW2-70HPS	70 W	-	-	E-27	A
EW3-100HPS	100 W	-	-	E-40	A
EW3-150HPS	150 W	-	-	E-40	A
EW3-250HPS	250 W	-	-	E-40	A
EW5-400HPS	400 W	-	-	E-40	A

Technical features

CODE	A [mm]	B [mm]	C [mm]	Ø D [mm]	Ø E [mm]	WEIGHT [Kg]	DETAIL
EW2	280	430	415	145	280	8,5	A
EW3	280	510	480	190	402	9,5	A
EW5	280	570	545	255	515	10	A

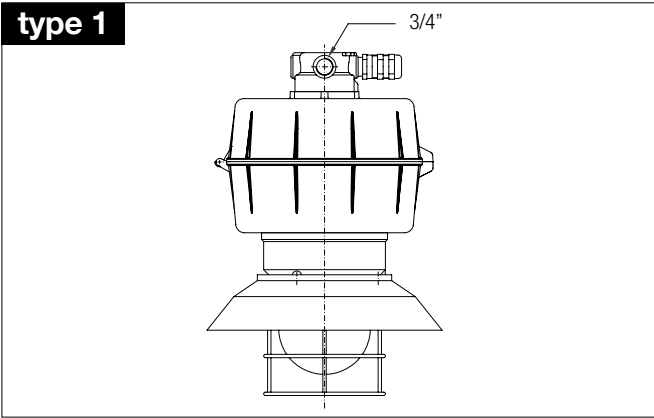
Reference details





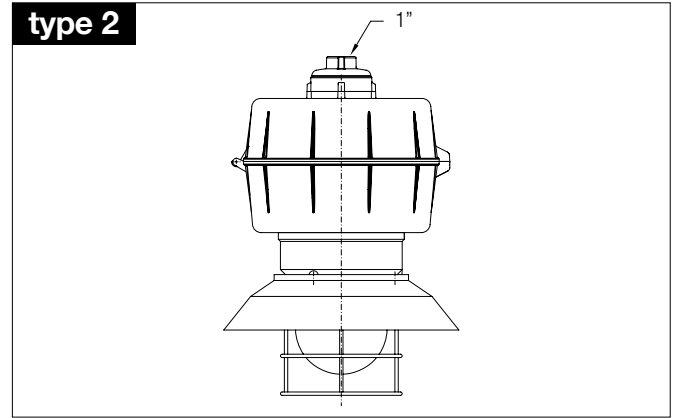
Ceiling mounting

type 1



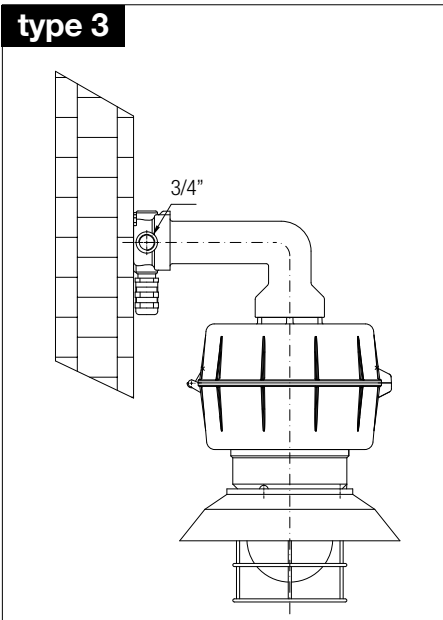
Pendant mounting

type 2



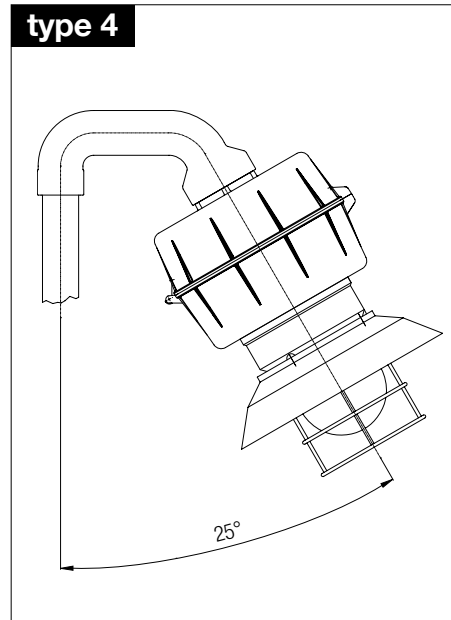
Wall/structure mounting

type 3



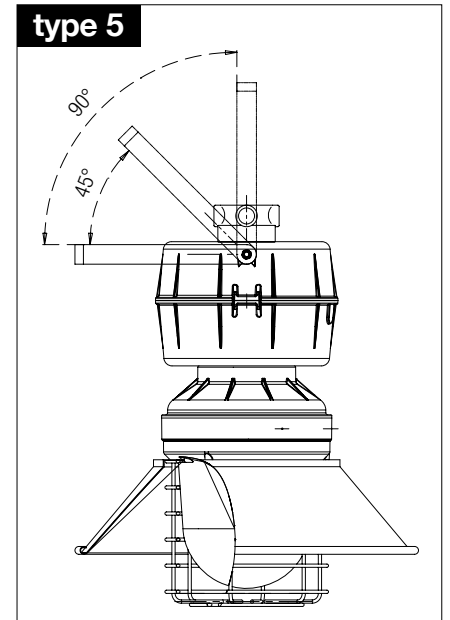
Pole mounting 25°

type 4



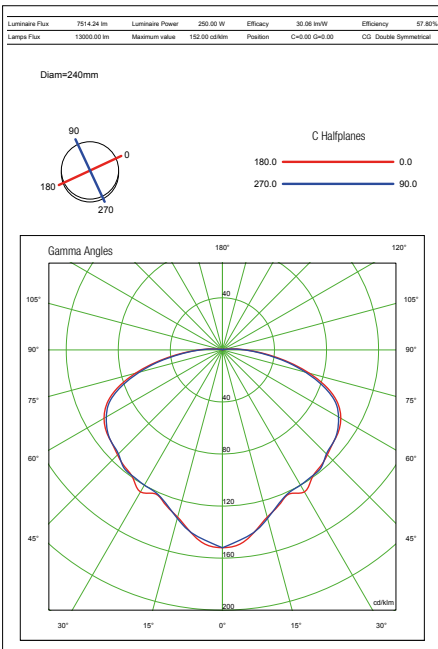
Universal mounting inst. with adjustable bracket

type 5

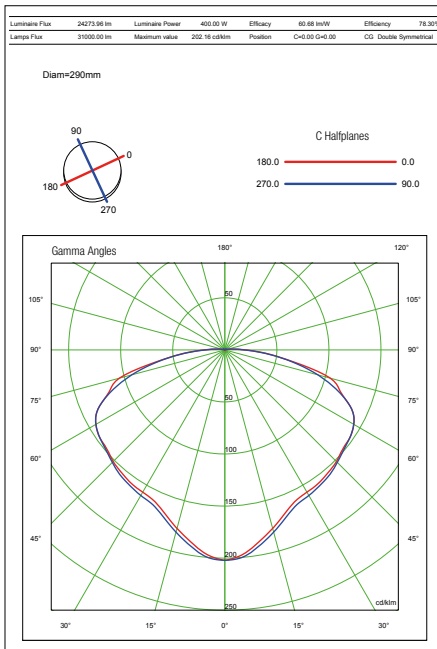


EW Polar diagrams - photometric data

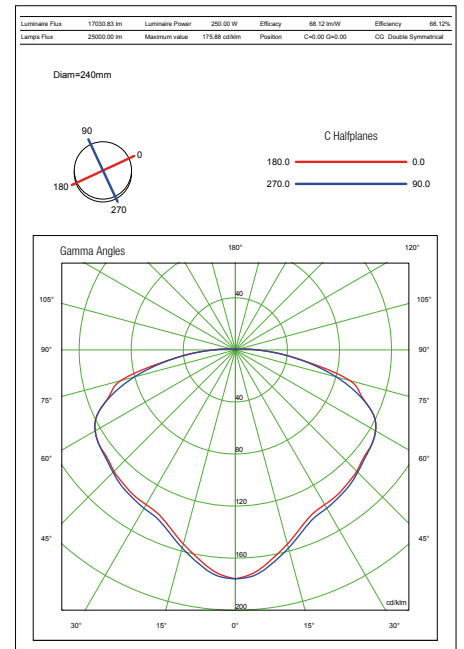
EW3-250HG



EW5-400MH



EW3-250HPS



On request accessories

CODE	DESCRIPTION	INSTALLATION	MATERIAL
20302.0071	EVAC 200 / 201 SIZE STANDARD REFLECTOR		WHITE STOVE ENAMELLED ALUM.
20302.0072	EVAC 300 / 301 SIZE STANDARD REFLECTOR		WHITE STOVE ENAMELLED ALUM.
20302.0073	EVAC 500 / 501 SIZE STANDARD REFLECTOR		WHITE STOVE ENAMELLED ALUM.
20302.0026	EVAC 200 / 201 SIZE STAINLESS STEEL REFLECTOR		STAINLESS STEEL AISI 316L
20302.0027	EVAC 300 / 301 SIZE STAINLESS STEEL REFLECTOR		STAINLESS STEEL AISI 316L
20302.0028	EVAC 500 / 501 SIZE STAINLESS STEEL REFLECTOR		STAINLESS STEEL AISI 316L
20302.0130	EVAC 200 / 201 SIZE STAINLESS STEEL REFLECTOR INCLINED 45°		WHITE STOVE ENAMELLED ALUM.
20302.0031	EVAC 300 / 301 SIZE STAINLESS STEEL REFLECTOR INCLINED 45°		WHITE STOVE ENAMELLED ALUM.
20302.0032	EVAC 500 / 501 SIZE STAINLESS STEEL REFLECTOR INCLINED 45°		WHITE STOVE ENAMELLED ALUM.
20302.0075	EVAC 200 / 201 SIZE STANDARD PROTECTION GUARD		GALVANIZED STEEL
20302.0076	EVAC 300 / 301 SIZE STANDARD PROTECTION GUARD		GALVANIZED STEEL
20302.0077	EVAC 500 / 501 SIZE STANDARD PROTECTION GUARD		GALVANIZED STEEL
20302.0038	EVAC 200 / 201 SIZE STAINLESS STEEL PROTECTION GUARD		STAINLESS STEEL AISI 316L
20302.0039	EVAC 300 / 301 SIZE STAINLESS STEEL PROTECTION GUARD		STAINLESS STEEL AISI 316L
20302.0040	EVAC 500 / 501 SIZE STAINLESS STEEL PROTECTION GUARD		STAINLESS STEEL AISI 316L
20303.0102	CEILING MOUNTING KIT C/W HARDWARE	TYPE 1	ALUMININIUM
20303.0103	PENDANT MOUNTING KIT	TYPE 2	ALUMININIUM
20303.0104	WALL / STRUCTURE MOUNTING KIT	TYPE 3	ALUMININIUM
20303.0108	2" DIA.SIZE POLE MONTING KIT C/W HARDWARE	TYPE 4	ALUMININIUM
20303.0107	1-1/2" DIA.SIZE POLE MONTING KIT C/W HARDWARE	TYPE 4	ALUMININIUM
20303.0106	1" DIA.SIZE POLE MONTING KIT C/W HARDWARE	TYPE 4	ALUMININIUM
20303.0105	UNIVERSAL MOUNTING INST. WITH ADJUSTABLE BRACKET C/W HARDWARE	TYPE 5	STAINLESS STEEL AISI 316L

REMARK:

Due to the development of the national and international specifications and of the technology, the above technical characteristics showed on this bulletin can be considered as binding on our confirmation only.