



**Installation:** hazardous areas - Zone 1 / 2 (Gases)  
Zone 21 / 22 (Dusts)

**Classification:** Group II - Category 2G 2D



### REFERENCE STANDARDS

#### Directive 2014/34/EU

EXECUTION	(fluo)	<ul style="list-style-type: none"> <li>⊗ Ex db IIB + H2 T6... T5 Gb</li> <li>⊗ Ex tb IIIC T85°C... T100°C Db</li> </ul>
	(led)	<ul style="list-style-type: none"> <li>⊗ Ex db op is IIB + H2 T6... T4 Gb</li> <li>⊗ Ex op is tb IIIC T85°C... T135°C Db</li> </ul>
RULES OF COMPLIANCE	EN/IEC 60079-0; EN/IEC 60079-1; EN/IEC 60079-31; EN/IEC 60079-28	
EC Type-Examination Certificate	INERIS 15 ATEX 0024X	
PROTECTION DEGREE	IP66	
AMBIENT TEMPERATURE	-60°C ÷ +80°C	
OTHER AVAILABLE CERTIFICATES	IECEx: IECEx INE 15_0030X	
	INMETRO: CEPEL 15.2385X	
	EAC: TC RU C-IT.BH02.B.00602 (-60°C ÷ +60°C)	
	RINA: ELE18111CS_014	
	RUSSIAN MARINE CERTIFICATE (RMRS): 19.02519.280	

### Mechanical characteristics

Body	marine grade copper free aluminium
Diffuser	high-temperature resistant borosilicate glass
Painting	external epoxy powders grey RAL-9006 colour
Screws	external stainless steel
Reflectors	white stove enamelled sheet steel
Cable entry	3/4" NPT size threaded c/w cable gland

### Electrical characteristics

Power supply (fluo)	electronic ballast 230V/240V 50/60Hz (cos ρ ≥ 0,98)
	electronic ballast 110V/240V 50/60Hz (always on – maintained)
Power supply (led)	electronic ballast 120V/240V 50/60Hz (network only – not maintained)
	electronic ballast 230V/240V 50/60Hz (only in emergency)
Lampholders	bi-in g5 cap (fluorescent lamp only)
Internal wiring	high-temperature resistant silicon rubber insulation cables
Terminals	suitable up to 4 sq/mm cables
Emergency unit	emergency unit for maintained and not maintained (see technical data table)

### Functional characteristics

**EXL08 (Network only):** 8W fluorescent lamp and electronic ballast 230V/240V 50/60Hz

**EXL08ESA-3 (Always On - Maintained):** 8W fluorescent lamp and electronic ballast 230V/240V AC

**EXL08E-3 (Emergency only - Not Maintained):** 8W fluorescent lamp and electronic ballast 230V/240V AC

**EXL08L / EXL208L (Network only):** with high brightness LEDs (350mA – 4W) supply from 120V up to 240V AC/DC

**EXL08LE-SA (Always On - Maintained):** with high brightness LEDs (350mA – 4W) supply from 100V up to 240V AC with charge status monitor LED system (RED; battery under charging – GREEN: battery loaded)

**EXL08LE (Emergency only - Not maintained):** with high brightness LEDs (350mA – 4W) supply from 100V up to 240V AC with charge status monitor LED system (RED; battery under charging – GREEN: battery loaded)



### On Request Accessories:

- External painting colour on request
- Electronic ballast with voltage supply different than standard
- Threaded cable entry different than standard
- Self-adhesive green label with EXIT sign (language on request)

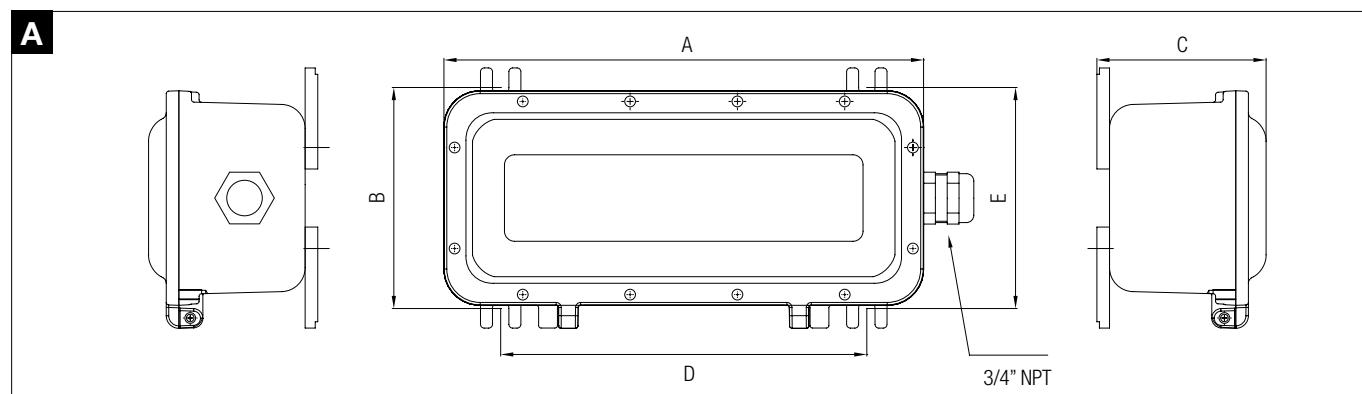
**Technical data**

CODE	POWER SUPPLY	LAMP	mA (LED)	TEMPERATURE CLASS (GAS)	TEMPERATURE CLASS (DUSTS)	EMERGENCY UNIT	AUTONOMY
<b>LIGHTING FIXTURES FOR FLUORESCENT TUBE LAMPS</b>							
EXL08	230 ÷ 240V AC	8 W	-	T6 - T5	T 85°C / T100°C	no	-
EXL08E-3	230 ÷ 240V AC	8 W	-	T6 - T5	T 85°C / T100°C	3,6V - 4A/h	180 min.
EXL08ESA-3	230 ÷ 240V AC	8 W	-	T6 - T5	T 85°C / T100°C	3,6V - 4A/h	180 min.
<b>LIGHTING FIXTURES FOR HIGH EFFICIENCY LED LAMPS</b>							
EXL08L	120 ÷ 240V AC	1W x 4	350	T6 - T5	T 85°C / T100°C	no	-
EXL08LE	110 ÷ 240V AC	1W x 4	350	T6 - T5	T 85°C / T100°C	6V - 4A/h	180 min.
EXL208L	120 ÷ 240V AC	(1W x 4) x 2	350	T6 - T5	T 85°C / T100°C	no	-
EXL08LE-SA	110 ÷ 240V AC	1W x 4	350	T6 - T5	T 85°C / T100°C	6V - 4A/h	180 min.

**Technical features**

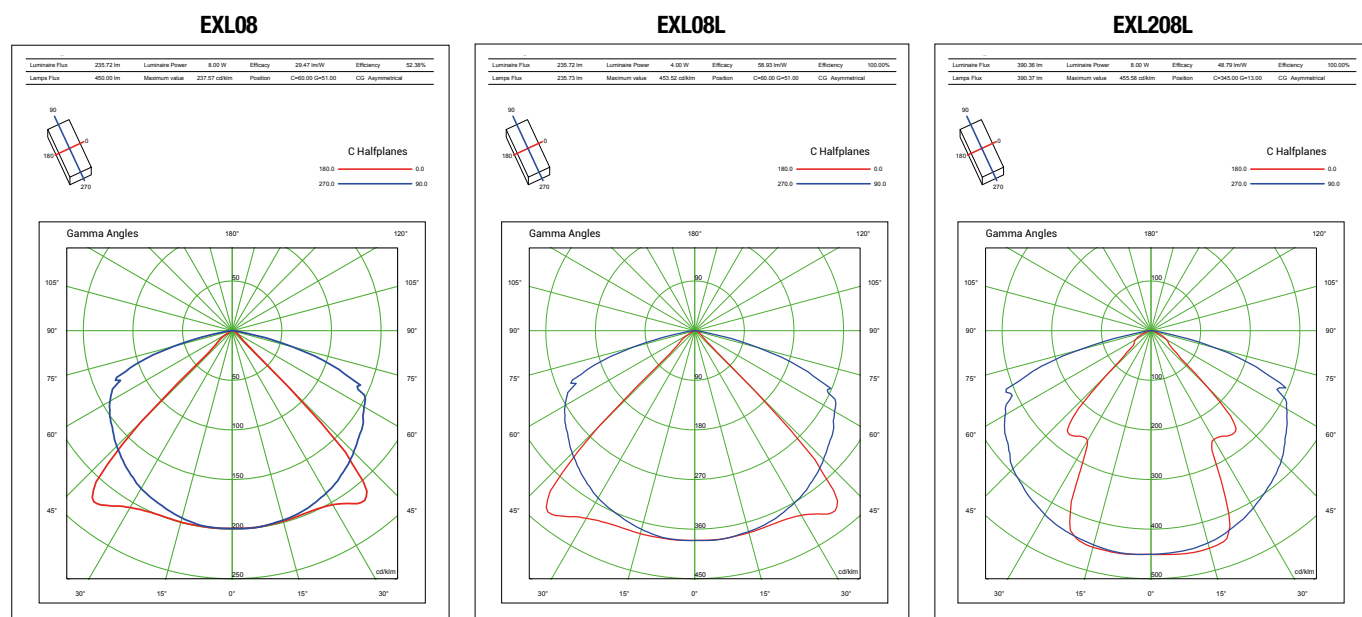
CODE	A [mm]	B [mm]	C [mm]	D [mm]	E [mm]	WIGHT [kg]	CABLE ENTRY	DETAIL
EXL08...	380	170	125	270	156	8,00	1 x 3/4"	A

**Reference details**



**On request accessories**

CODE	DESCRIPTION	MATERIAL
2070.00088	SELF-ADHESIVE GREEN "EXIT" LABEL	POLYESTER



**REMARK:**

Due to the development of the national and international specifications and of the technology, the above technical characteristics showed on this bulletin can be considered as binding on our confirmation only.