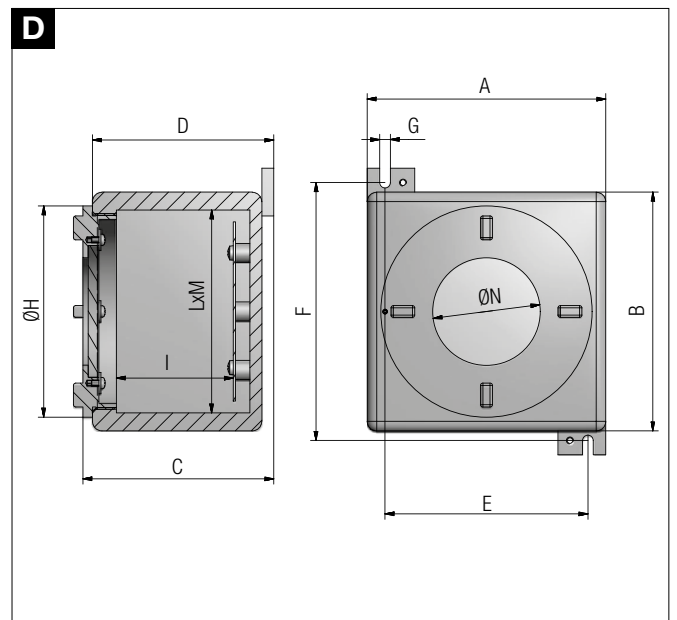
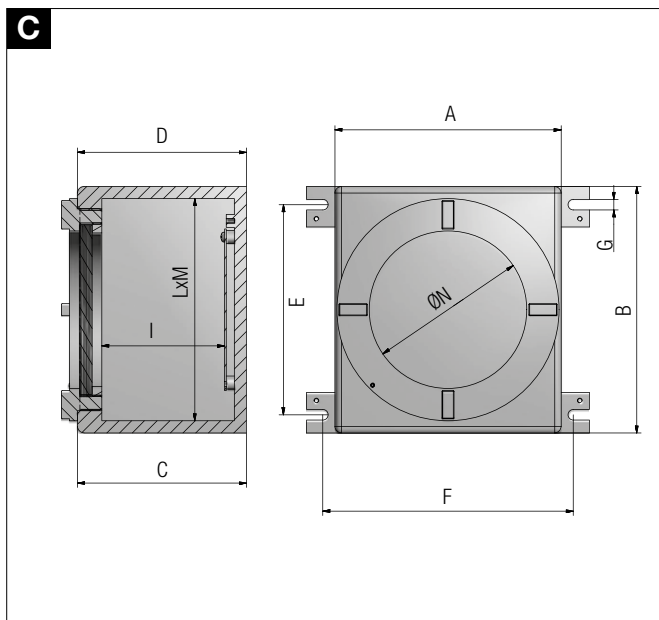
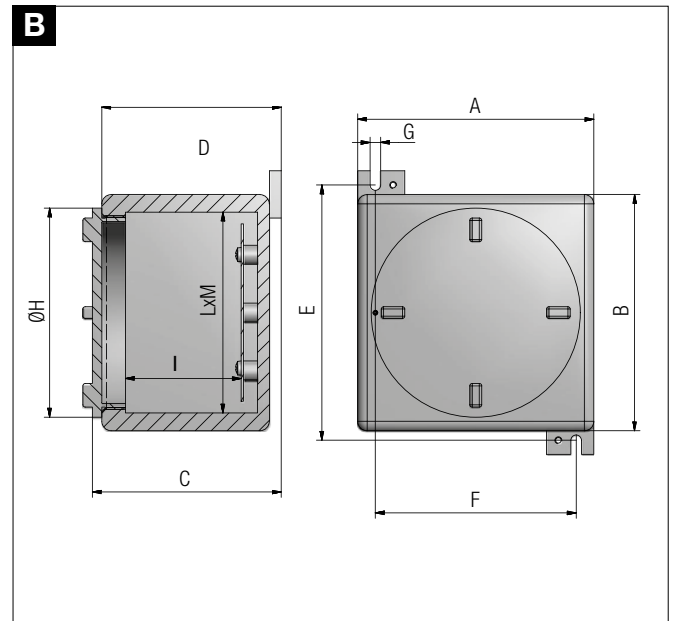
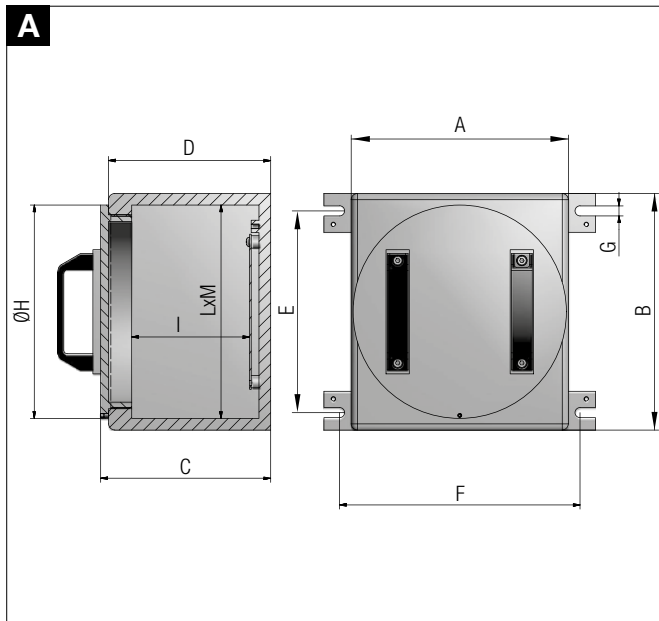


Technical Features

| CODE | A [mm] | B [mm] | C [mm] | D [mm] | E [mm] | F [mm] | Ø G [mm] | H [mm] | I [mm] | L [mm] | Ø M [mm] | Ø N [mm] | INT.PLATE X - Y [mm] | WEIGHT [Kg] | DETAIL |
|-----------|--------|--------|--------|--------|--------|--------|----------|--------|--------|--------|----------|----------|----------------------|-------------|--------|
| GUB00INX | 135 | 135 | 100 | 92 | 152 | 105 | 7 | 113 | 47 | 111 | 111 | - | - | 7,00 | B |
| GUB0INX | 170 | 170 | 141 | 133 | 185 | 145 | 9 | 154 | 82 | 140 | 140 | - | 110 - 110 | 13,00 | B |
| GUB1INX | 200 | 200 | 160 | 152 | 216 | 170 | 9 | 177 | 98 | 170 | 170 | - | 150 - 150 | 19,00 | B |
| GUB03INX | 280 | 310 | 219 | 209 | 260 | 310 | 13 | 275 | 152 | 250 | 280 | - | 220 - 220 | 50,00 | A |
| GUB23INX | 310 | 270 | 165 | 157 | 235 | 350 | 12 | 224 | 110 | 290 | 250 | - | 180 - 180 | 32,00 | B |
| GUB4INX | 420 | 420 | 234 | 226 | 380 | 460 | 13 | 405 | 148 | 390 | 390 | - | 280 - 280 | 83,00 | A |
| GUB5INX | 600 | 600 | 320 | 310 | 550 | 630 | 13 | 600 | 203 | 550 | 550 | - | 490 - 490 | 280,00 | A |
| GUBW1INX | 200 | 200 | 160 | 152 | 216 | 170 | 9 | 177 | 98 | 170 | 170 | 90 | 150 - 150 | 19,00 | D |
| GUBW03INX | 280 | 310 | 219 | 209 | 260 | 310 | 13 | 275 | 152 | 250 | 280 | 195 | 220 - 220 | 50,00 | C |
| GUBW23INX | 310 | 270 | 165 | 157 | 235 | 350 | 12 | 224 | 110 | 290 | 250 | 150 | 180 - 180 | 32,00 | D |
| GUBW4INX | 420 | 420 | 234 | 226 | 380 | 460 | 13 | 405 | 148 | 390 | 390 | 230 | 280 - 280 | 83,00 | C |

Reference details



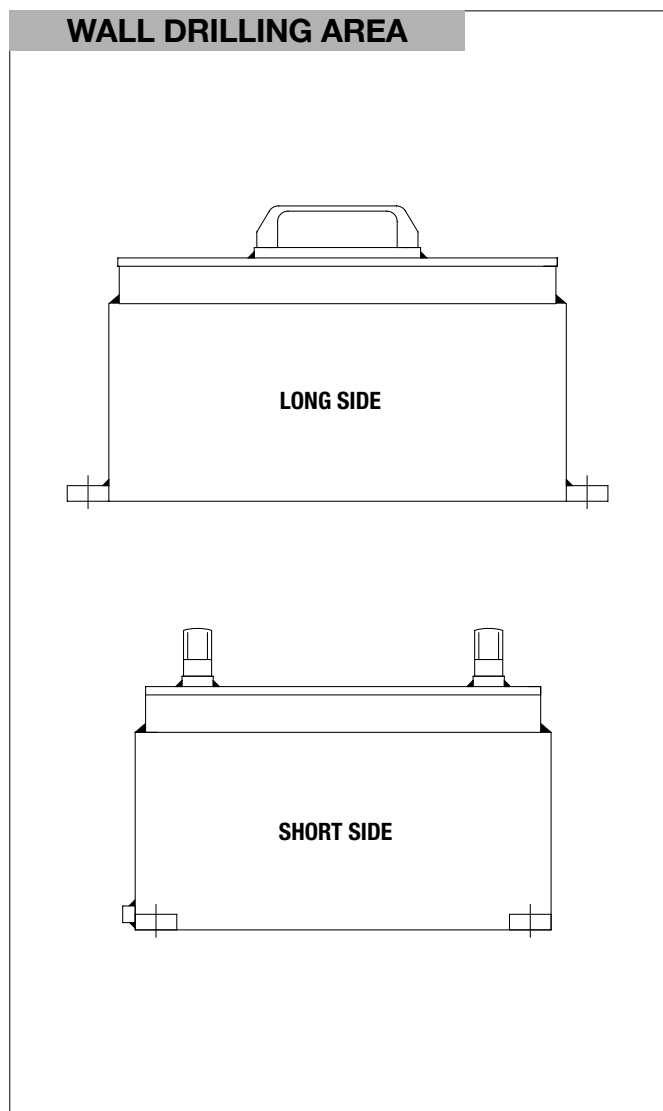


Body enclosures indicative maximum quantity of holes of the same size

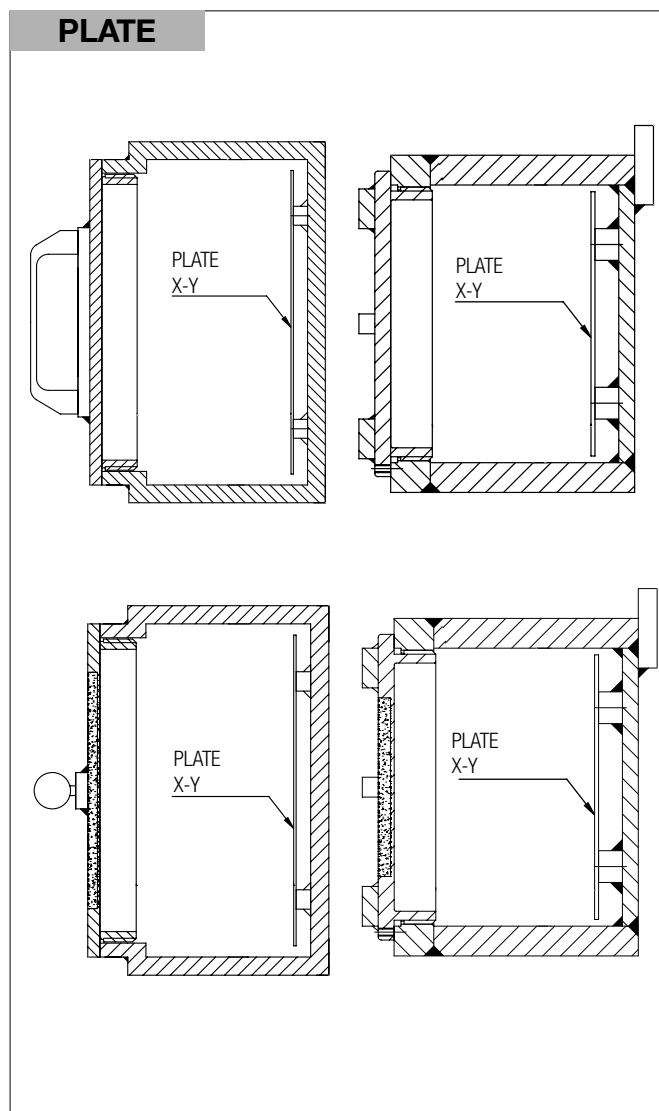
| ENCLOSURE CODE | DRILLING AREA LONG SIDE | | | | | | | |
|----------------|--|----|----|----|----|----|---|---|
| | QUANTITY ALLOWED ENTRIES FOR size (from 1 to size 8) | | | | | | | |
| | 1 | 2 | 3 | 4 | 5 | 6 | 7 | 8 |
| GUB00INX | 2 | 1 | 1 | 1 | / | / | / | / |
| GUB0INX | 6 | 3 | 2 | 2 | 1 | 1 | 1 | / |
| GUB1INX | 6 | 3 | 3 | 2 | 2 | 1 | 1 | / |
| GUB03INX | 15 | 11 | 9 | 8 | 6 | 4 | 2 | 2 |
| GUB23INX | 11 | 10 | 8 | 6 | 4 | 3 | 2 | / |
| GUB4INX | 23 | 18 | 14 | 11 | 10 | 7 | 4 | 3 |
| GUB5INX | 45 | 36 | 27 | 24 | 18 | 12 | 6 | 3 |
| GUBW1INX | 6 | 3 | 3 | 2 | 2 | 1 | 1 | / |
| GUBW03INX | 15 | 11 | 9 | 8 | 6 | 4 | 2 | 2 |
| GUBW23INX | 11 | 10 | 8 | 6 | 4 | 3 | 2 | / |
| GUBW4INX | 23 | 18 | 14 | 11 | 10 | 7 | 4 | 3 |

| ENCLOSURE CODE | DRILLING AREA SHORT SIDE | | | | | | | |
|----------------|--|----|----|----|----|----|---|---|
| | QUANTITY ALLOWED ENTRIES FOR size (from 1 to size 8) | | | | | | | |
| | 1 | 2 | 3 | 4 | 5 | 6 | 7 | 8 |
| GUB00INX | 2 | 1 | 1 | 1 | / | / | / | / |
| GUB0INX | 6 | 3 | 2 | 2 | 1 | 1 | 1 | / |
| GUB1INX | 6 | 3 | 3 | 2 | 2 | 1 | 1 | / |
| GUB03INX | 12 | 9 | 8 | 6 | 6 | 3 | 2 | 2 |
| GUB23INX | 9 | 8 | 8 | 5 | 3 | 3 | 2 | / |
| GUB4INX | 23 | 18 | 14 | 11 | 10 | 7 | 4 | 3 |
| GUB5INX | 45 | 36 | 27 | 24 | 18 | 12 | 6 | 3 |
| GUBW1INX | 6 | 3 | 3 | 2 | 2 | 1 | 1 | / |
| GUBW03INX | 12 | 9 | 8 | 6 | 6 | 3 | 2 | 2 |
| GUBW23INX | 9 | 8 | 8 | 5 | 3 | 3 | 2 | / |
| GUBW4INX | 23 | 18 | 14 | 11 | 10 | 7 | 4 | 3 |

Reference details



Reference details



Indicative quantity of terminals and relevant section

| CODE ENCLOSURE | SECT. 2,5 [sq/mm] | SECT. 6,0 [sq/mm] | SECT. 10,0 [sq/mm] | SECT. 16,0 [sq/mm] | SECT. 35,0 [sq/mm] | SECT. 50,0 [sq/mm] | SECT. 70,0 [sq/mm] | SECT. 240,0 [sq/mm] | INT.PLATE X - Y [mm] |
|----------------|-------------------|-------------------|--------------------|--------------------|--------------------|--------------------|--------------------|---------------------|----------------------|
| GUB00INX | 8x1 | 4x1 | 4x1 | 2x1 | 2x1 | / | / | / | Ø90 |
| GUB0INX | 12x1 | 6x1 | 6x1 | 4x1 | 4x1 | 2x1 | 1x1 | / | 110 - 110 |
| GUB1INX | 20x1 | 10x1 | 10x1 | 6x1 | 6x1 | 4x1 | 2x1 | 1x1 | 150 - 150 |
| GUB03INX | 34x1 | 20x1 | 18x1 | 14x1 | 10x1 | 8x1 | 6x1 | 4x1 | 220 - 200 |
| GUB23INX | 26x1 | 16x1 | 14x1 | 12x1 | 8x1 | 6x1 | 4x1 | 1x1 | 180 - 180 |
| GUB4INX | 48x2 | 28x2 | 24x2 | 20x2 | 12x2 | 10x2 | 8x1 | 4x1 | 280 - 280 |
| GUB5INX | 64x3 | 40x3 | 36x3 | 30x3 | 11x3 | 16x3 | 16x1 | 6x2 | 490 - 490 |
| GUBW1INX | 20x1 | 10x1 | 10x1 | 6x1 | 6x1 | 4x1 | 2x1 | 1x1 | 150 - 150 |
| GUBW03INX | 34x1 | 20x1 | 18x1 | 14x1 | 10x1 | 8x1 | 6x1 | 4x1 | 220 - 200 |
| GUBW23INX | 26x1 | 16x1 | 14x1 | 12x1 | 8x1 | 6x1 | 4x1 | 1x1 | 180 - 180 |
| GUBW4INX | 48x2 | 28x2 | 24x2 | 20x2 | 12x2 | 10x2 | 8x1 | 4x1 | 280 - 280 |

Threads comparison table

| size | EN10226-2 | ISO 228-1 | B1.20.1 | ISO 262 |
|------|-------------|-----------|------------|---------|
| 0 | R-Rc 1/8" | G 1/8" | 1/8" NPT | M10 |
| 1 | R-Rc 1/2" | G 1/2" | 1/2" NPT | M20 |
| 2 | R-Rc 3/4" | G 3/4" | 3/4" NPT | M25 |
| 3 | R-Rc 1" | G 1" | 1" NPT | M32 |
| 4 | R-Rc 1-1/4" | G 1-1/4" | 1-1/4" NPT | M40 |
| 5 | R-Rc 1-1/2" | G 1-1/2" | 1-1/2" NPT | M50 |
| 6 | R-Rc 2" | G 2" | 2" NPT | M63 |
| 7 | R-Rc 2-1/2" | G 2-1/2" | 2-1/2" NPT | M75 |
| 8 | R-Rc 3" | G 3" | 3" NPT | M85 |
| 9 | - | G 3-1/2" | 3-1/2" NPT | M100 |
| 10 | R-Rc 4" | G 4" | 4" NPT | - |

REMARK:

Due to the development of the national and international specifications and of the technology, the above technical characteristics showed on this bulletin can be considered as binding on our confirmation only.

