



Installation: safe area
Classification: IP55



REFERENCE STANDARDS

ELECTRICAL PANEL

CEI / IEC

EXECUTION	INDUSTRIAL WATERPROOF
RULES OF COMPLIANCE	-40°C ÷ +70°C
PROTECTION DEGREE	IP55
CERTIFICATE REF.	-
RULES OF COMPLIANCE	CEI EN 60439-1 (CEI 17-13/1) CEI EN 90529

Mechanical characteristics

Framework And Panel	15-20/10 thick sheet steel with galvanic or sendzimir treatment
Glass (On Request)	tempered glass (5mm thickness) complete with silicon rubber gasket
Screws	stainless steel

Mechanical characteristics RERAC

Maximum rating	600A
Insulating voltage	690V
Test voltage	50Hz 2500V for 1 minute
Frequency	50/60Hz
Short circuit withstand strenght on plate	Max 35 kA for 1 minute
Distribution bars	Ipk=73,5 kA peak

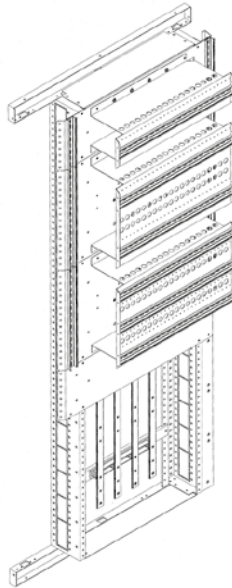


On Request Accessories:

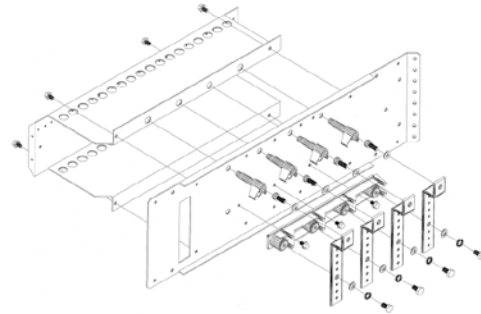
- Other degree protection level
- Stainless steel AISI316L framework and interior panel

Weatherproof sheet steel or stainless steel 304/316 control panel, interchangeable plate version

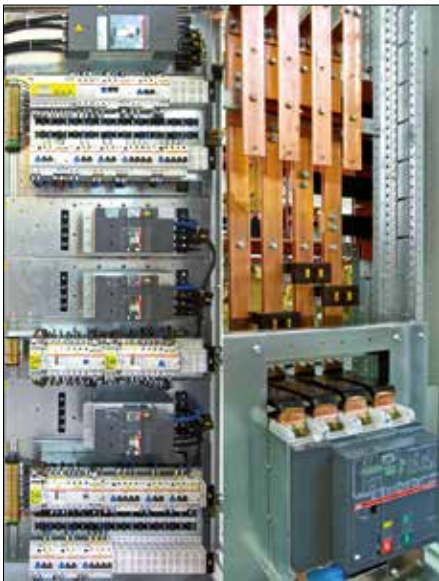
Flexibility



The system is designed so that the standard type (circuit breakers) can be integrated with other types (contactors) with no need to adapt other (different) structures to the primary system to support the different types.



Safety



The control panel has been designed so that no live part can come into contact with the operator's body even with the main door open, according to the degree of protection IP XX B of standard IEC 529.

Interchangeability



In case of breakdown the plates (the system's main characteristic) can be easily replaced with new ones of the same type with a very simple operation.
The plates can be prepared by FEAM, wired or already fitted and shipped to destination.

REMARK:

Due to the development of the national and international specifications and of the technology, the above technical characteristics showed on this bulletin can be considered as binding on our confirmation only.