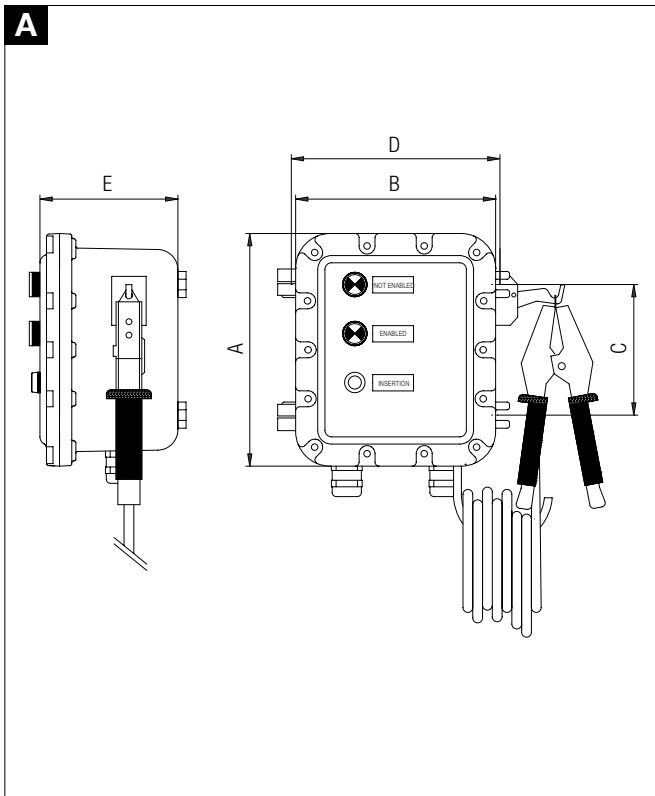




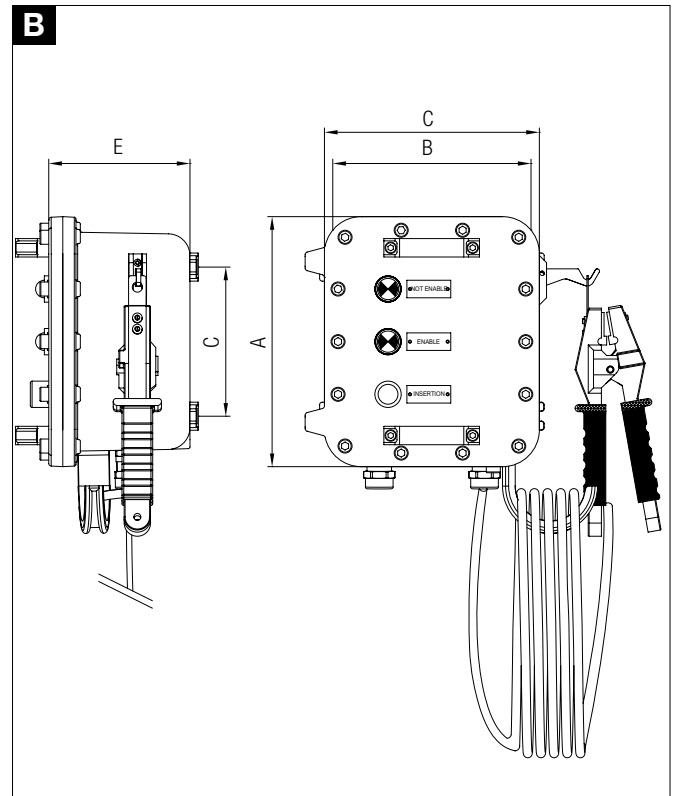
**Technical Features**

CODE	A [mm]	B [mm]	C [mm]	D [mm]	E [mm]	WEIGHT [Kg]	DETAIL
SM2021F	285	245	160	276	169	12	A
SM2021IIC	285	245	169	226	170	13	B

**Reference Details**



**Reference Details**



**APPLICATIONS**

They are used to control grounding continuity during tanks loading and unloading operations. Tanks normally arrive electrostatically loaded, and an imperfect earthing might cause fire originated by a spark in presence of gas. The earthing control system is composed of a marine grade copper free aluminium enclosure, as above described, inside fitted with the earthing control electronic circuit SM-2001, which is normally set at 20 ohm, and authorize tanks loading/unloading when resistance is less than 20 ohm.

An intrinsically safety barrier placed inside the equipment and connected via the included cable clamp kit to the electronic system allows the on and only verification of the correct / perfect ground connection of the tank.

The tank ground connection is to made only with proper grounding clamp series IT (not included).

Enclosure is provided with: NOT AVAILABLE red light – AVAILABLE green light - INSERTION push button.

Red electronic system SM.. pilot light remain lit till grounding clamp IT series (not included) is perfect connected to vehicle's earthing bar.

Insertion push button is pressed for at least 2sec.

If the resistance measured by electronic circuit is less than 20ohm, SM electronic system allows for loading and unloading operations.

Earthing clamp for verification is normally complete with 8m of cable.

FOR GROUNDING TANKS CONNECTIONS, PLEASE USE EARTHING CLAMPS IT.. SERIES SHOWED ON PREVIOUS BULLETIN

**REMARK:**

Due to the development of the national and international specifications and of the technology, the above technical characteristics showed on this bulletin can be considered as binding on our confirmation only.