



Installation: Safe Area
Insulation Class: I



LIGHTING FIXTURE

	CEI / EN
EXECUTION	INDUSTRIAL WEATHERPROOF
RULES OF COMPLIANCE	EN 60598-1 + A1; EN 60598-2-1; EN 60598-2-3
EC Type-Examination Certificate	-
PROTECTION DEGREE	IP66
AMBIENT TEMPERATURE	-

Mechanical characteristics

Body	die casting aluminium
Wiring plate	reinforced nylon
Painting	thermosetting polyester powder (grey RAL-7039)
Protection glass	Tempered 4mm
Fixing holder	Suitable for ø60mm poles - adapter is required for ø40mm poles

Electrical characteristics

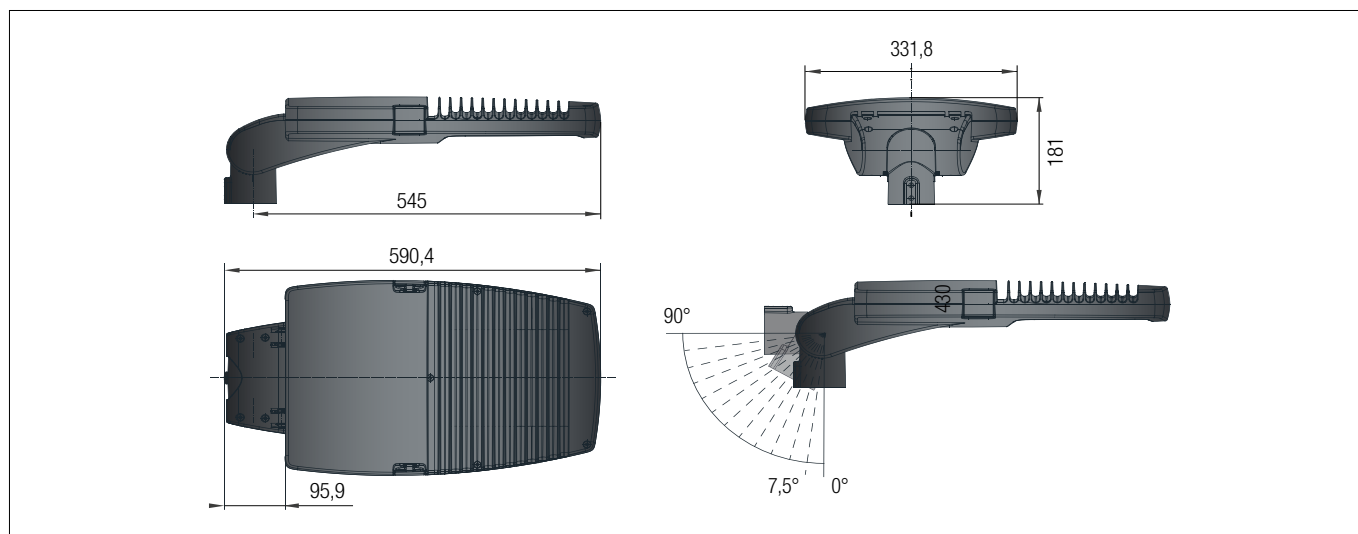
Power supply	electronic ballast 220 - 240 V 50/60 Hz, surge protection 6KV, NTC thermal sensor
Type lamp	LED modules integrated with asymmetric 30deg vertex secondary lenses
Internal wiring	high-temperature resistant silicon rubber insulation cables



Technical data

CODE	LED UNITS & POWER	NOMINAL OUTPUT	NET OUTPUT	weight [kg]	DETAIL
LED LIGHTING FIXTURES - POWER SUPPLY 230V-50Hz					
CLC_STREET-LED-32	4 led - 32W	4300 lm	3700 lm	10.00	A
CLC_STREET-LED-64	8 led - 64W	8500 lm	7400 lm	10.05	A
CLC_STREET-LED-96	12 led - 96W	12900 lm	11100 lm	10.20	A
CLC_STREET-LED-128	16 led - 128W	17200 lm	14800 lm	10.25	A
CLC_STREET-LED-160	20 led - 160W	21500 lm	18500 lm	10.35	A

Reference details



STREET LED Polar diagrams – photometric data

